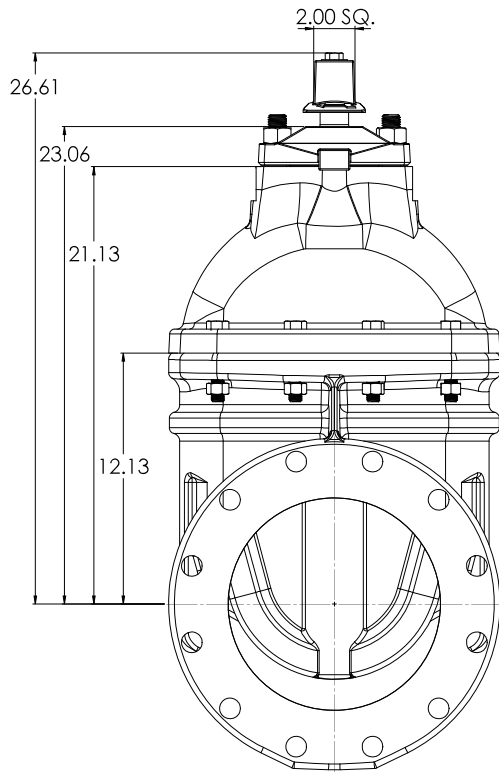
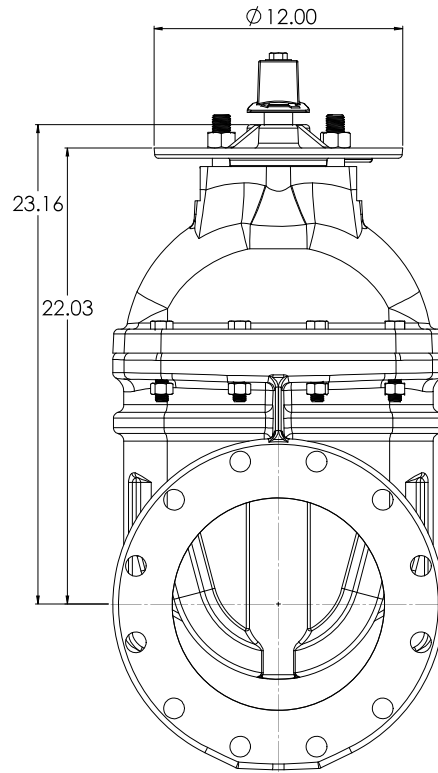


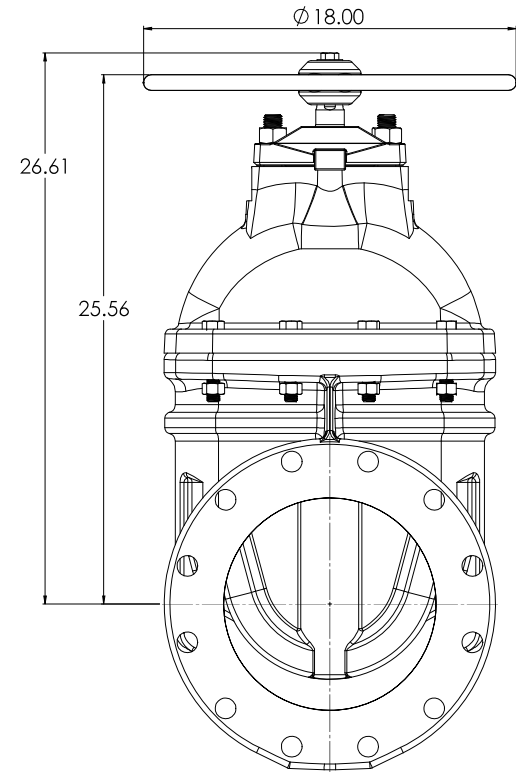
**OPERATING NUT WITH
O-RING PLATE**



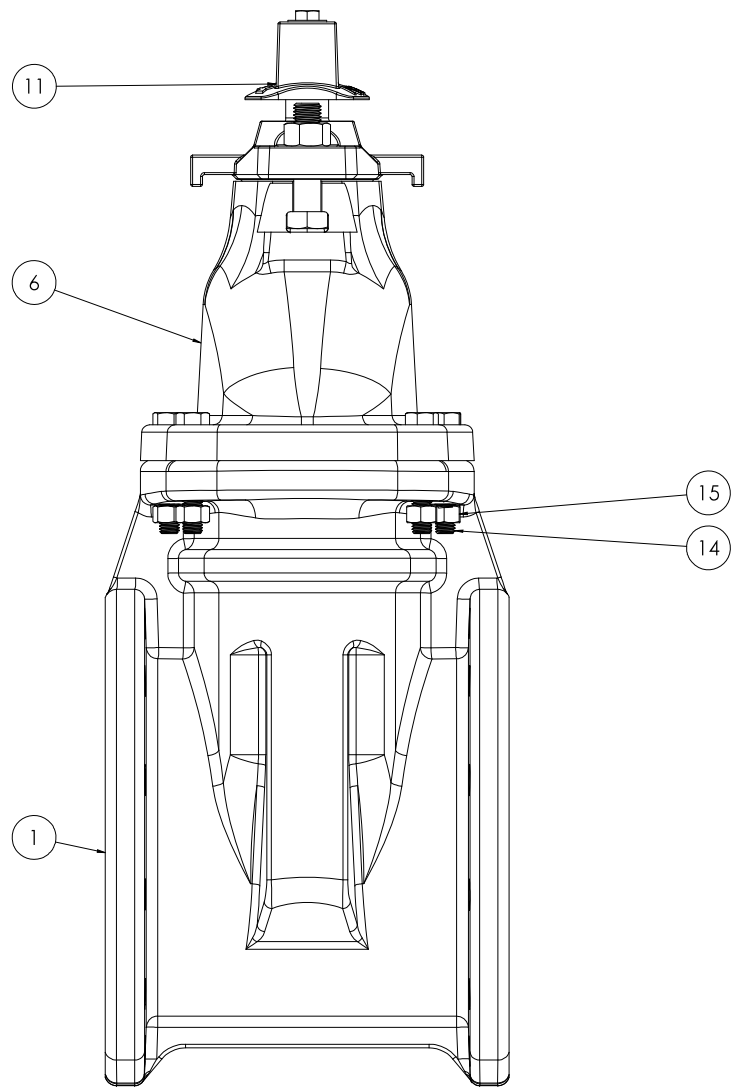
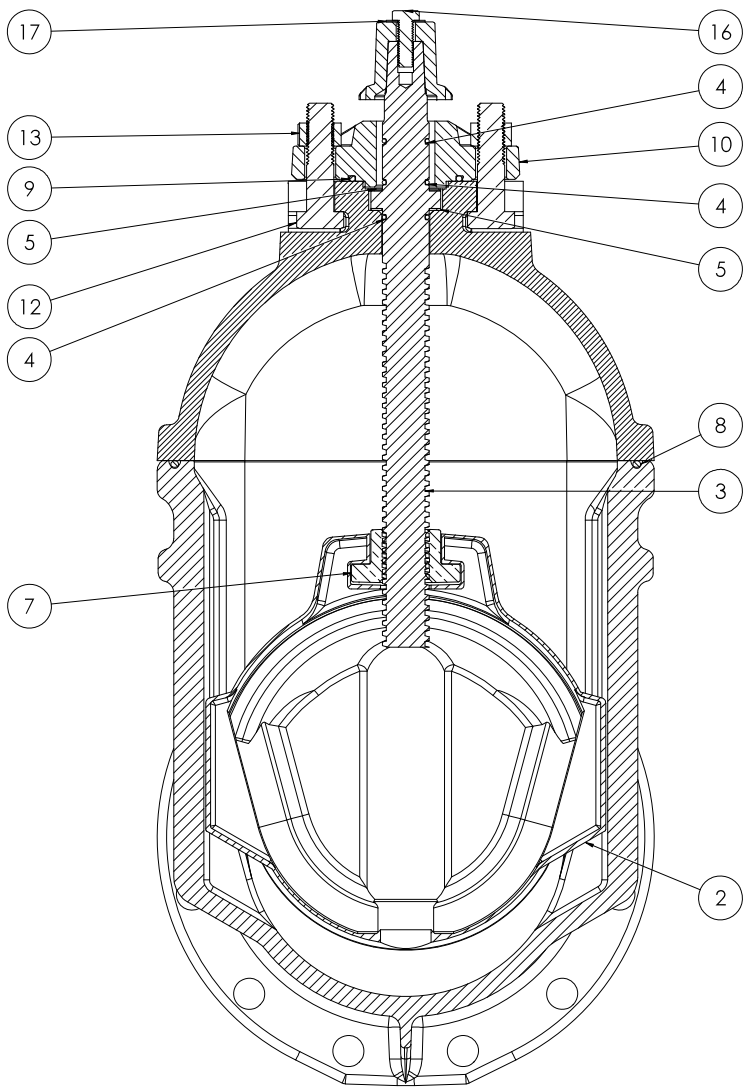
**OPERATING NUT WITH
INDICATOR POST PLATE**



**HANDWHEEL WITH O-
RING PLATE**




COMPANY: SOLO WORKS ADDRESS: 1522/2030B TEL: 610-271-1111 FAX: 610-271-1112 E-MAIL: SALES@SOLOWORKS.COM		DIVISION: VALVE PRODUCT: 10" C509 NRS RESILIENT WEDGE GATE VALVE WEIGHT: LBS. PART NO: 1522/2030B DATE: 12/2/2020		SCALE: 1:5 SHEET NO: 2 TOTAL SHEETS: 5 DRAWN BY: D	
--	--	--	--	---	--



COMPANY: SOLOWORKS ADDRESS: 10000 W. 16th Ave., Suite 100, Denver, CO 80202 PHONE: (303) 751-1000 FAX: (303) 751-1001 WWW: www.soloworks.com		PROJECT: 10" C509 NRS RESILIENT WEDGE GATE VALVE DATE: 12/22/2020 DRAWN BY: CW CHECKED BY:		SCALE: 1:5 SHEET NO: 3 TOTAL SHEETS: 5		
PART NO: 10" C509 NRS RESILIENT WEDGE GATE VALVE REV: 1 DATE: 12/22/2020 DRAWN BY: CW CHECKED BY:		MATERIAL: LBS WEIGHT: 100 DIMENSIONS: 10" x 10" x 10" FINISH: 10"		PROJECT NO: 10" C509 NRS RESILIENT WEDGE GATE VALVE DATE: 12/22/2020 DRAWN BY: CW CHECKED BY:		

<u>ITEM NO.</u>	<u>COMPONENT</u>	<u>QTY.</u>	<u>SIZE</u>	<u>STANDARD MATERIAL</u>	<u>MATERIAL OPTIONS</u>
1	BODY	1	-	CAST IRON	DUCTILE IRON
2	WEDGE	1	-	EPDM/DUCTILE IRON	-
3	STEM	1	-	C86700	C99500(LOW ZINC), 304 SS, 316 SS
4	O-RING	3	#218	EPDM	BUNA-N
5	THRUST WASHER	2	-	ACETAL	C26000
6	COVER	1	-	CAST IRON	DUCTILE IRON
7	STEM NUT	1	-	C87850	C99500 (LOW ZINC)
8	O-RING	1	#452	EPDM	BUNA-N
9	O-RING	1	#339	EPDM	BUNA-N
10	O-RING PLATE	1	-	DUCTILE IRON	**INDICATOR POST PLATE**
11	OPERATING NUT	1	-	CAST IRON	DUCTILE IRON, C86700, **Ø 14" HANDWHEEL**
12	HEX HEAD CAP SCREW	2	7/8"-9 X 3 1/2"	18-8 SS	316 SS
13	HEX NUT	2	7/8"-9	18-8 SS	316 SS
14	HEX HEAD CAP SCREW	8	5/8"-11 X 3 1/2"	18-8 SS	316 SS
15	HEX NUT	8	5/8"-11	18-8 SS	316 SS
16	HEX HEAD CAP SCREW	1	1/2"-13 X 1 1/2"	18-8 SS	316 SS
17	WASHER	1	1/2"	18-8 SS	316 SS

- VALVES CONFORM WITH THE FOLLOWING STANDARDS
 - AWWA C509
 - NSF 61
- LOW ZINC BRASS STEM AND STEM NUT AVAILABLE
- 100% DOMESTIC FASTENERS AND ORINGS OPTIONS AVAILABLE
- *OPEN LEFT* (COUNTERCLOCKWISE) AND *OPEN RIGHT* (CLOCKWISE) OPTIONS AVAILABLE
- TURNS TO OPEN FROM FULLY CLOSED: 32
- AWWA MAXIMUM ALLOWABLE CLOSING TORQUE 185 FT-LBS
- OPTIONAL HANDWHEEL CAN BE SUBSTITUTED FOR STANDARD 2" SQUARE OP. NUTS.
 - **NOTE: STANDARD HANDWHEEL SIZE LISTED OUT IN PARTS LIST.**

<small> COMPANY: SOLOWORKS ADDRESS: 12290 122ND AVE, SUITE 100, BURNING WOODS, OHIO 44125 PHONE: (440) 285-8800 FAX: (440) 285-8801 WWW.SOLOWORKS.COM </small>		<small> PROJECT: 10" C509 NRS RESILIENT WEDGE GATE VALVE DRAWING NO: 10" C509 NRS RESILIENT WEDGE GATE VALVE DATE: 12/29/2020 SCALE: T:5 SHEET NO: 5 OF 5 </small>		
---	--	--	--	---