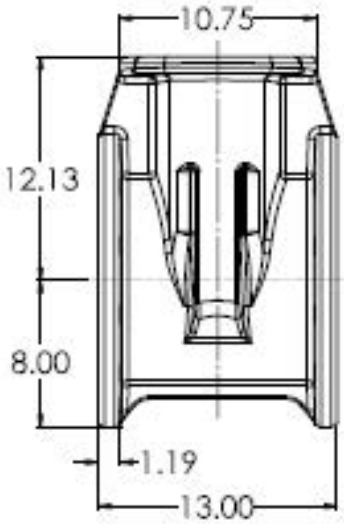
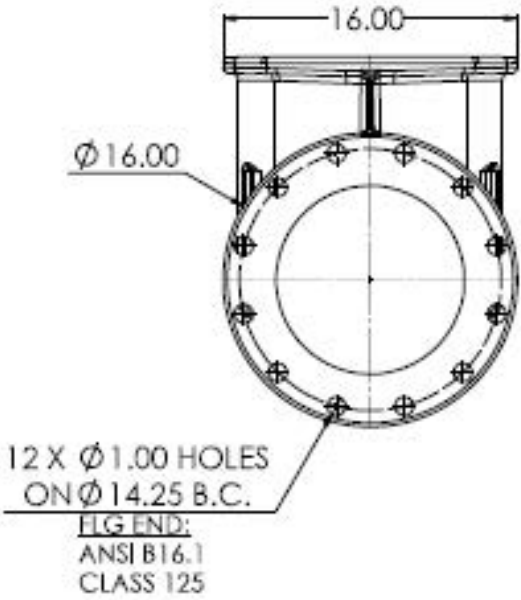


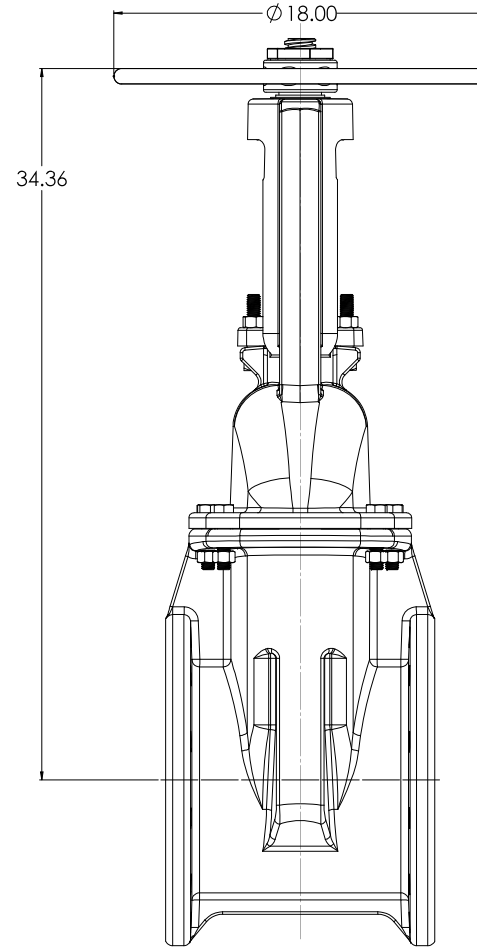
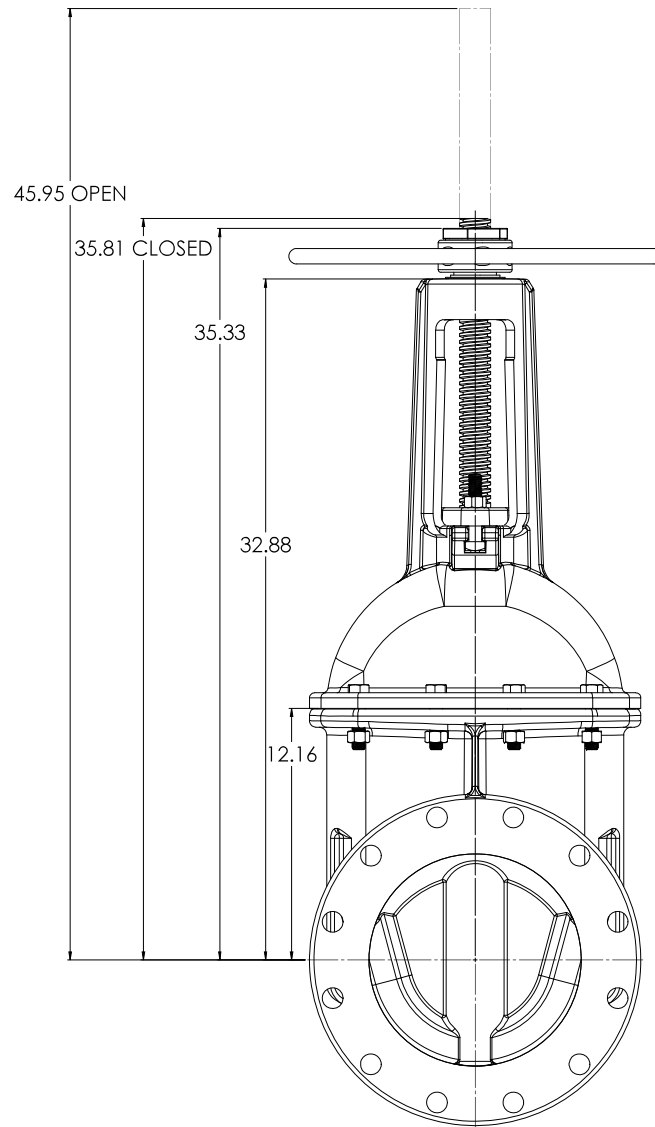
10" C515 FLG X FLG



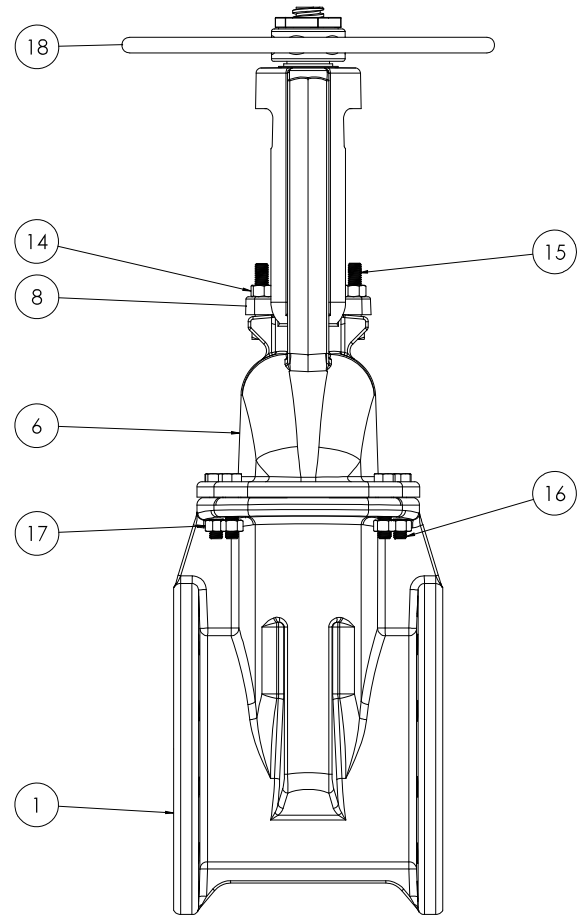
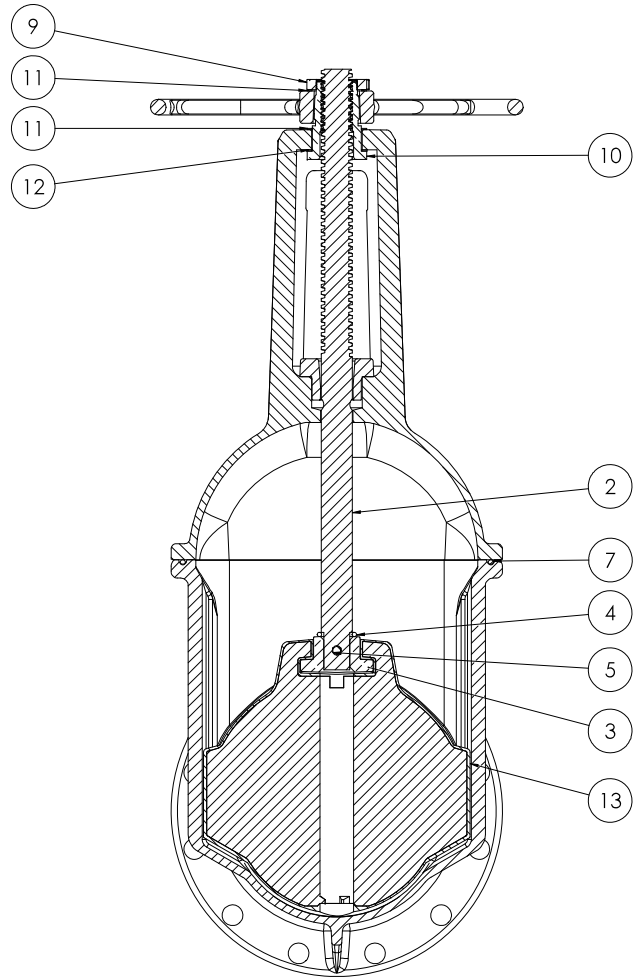
OTHER END CONNECTIONS ARE AVAILABLE UPON REQUEST.

| | | | | | |
|---|--|---|------------|---|-----------------|
| 10" C515 FLG X FLG STANDARD: ANSI B16.1 CLASS 125 MATERIAL: A105 | | APPROVED BY: [Signature] DATE: 12/2/2020 | | PROJECT: 10" C515 OS&Y RESILIENT WEDGE GATE VALVE | |
| ORDER QUANTITY: 1 UNIT: EACH WEIGHT: 1.19 VOLUME: 1.19 | PACKING DIMENSIONS: 13.00 X 12.13 X 1.19 NET WEIGHT: 1.19 GROSS WEIGHT: 1.19 VOLUME: 1.19 | WEIGHT: LBS VOLUME: 1.19 | SCALE: 1:5 | SHEET NO: 6 | TOTAL SHEETS: 6 |

OS&Y WITH HANDWHEEL



| | | | | | |
|--|---|---|-------------------------------------|--|--|
| COMPANY: OS&Y ADDRESS: 10000 W. 10th Ave., Suite 100, Denver, CO 80202 PHONE: 303.751.1000 FAX: 303.751.1001 WWW: www.osy.com | | PROJECT: 10" CS15 OS&Y RESILIENT WEDGE GATE VALVE DRAWING NO.: LBS-GATE VALVE DATE: 12/22/2020 | | SHEET NO.: 3 TOTAL SHEETS: 6 SCALE: T:10 DRAWN BY: SoloWorks 2016 SP2 | |
| DATE: 12/22/2020 TIME: 10:00 AM USER: CW PLOT: 12/22/2020 | PROJECT: 10" CS15 OS&Y RESILIENT WEDGE GATE VALVE DRAWING NO.: LBS-GATE VALVE DATE: 12/22/2020 | SHEET NO.: 3 TOTAL SHEETS: 6 SCALE: T:10 | DRAWN BY: SoloWorks 2016 SP2 | CHECKED BY: SoloWorks 2016 SP2 | APPROVED BY: SoloWorks 2016 SP2 |



| | | | | | | |
|--|--|--|--------------------------------|--|--------------------------------|--|
| WORLDWIDE VALVE WORKS 10000 W. 10th St., Suite 100, Denver, CO 80231 (303) 470-0000 | | WORLDWIDE VALVE WORKS 10000 W. 10th St., Suite 100, Denver, CO 80231 (303) 470-0000 | | DRAWING NO. 10' CS15 CS&Y RESILIENT WEDGE GATE VALVE LBS. GATE VALVE T:10 ScaleWorks 2016 SP2 | | |
| DATE: 12/22/2020 DWG NO: 10' CS15 CS&Y RESILIENT WEDGE GATE VALVE REV: 1 DESIGNED BY: [Redacted] CHECKED BY: [Redacted] APPROVED BY: [Redacted] | PROJECT NO: [Redacted] PROJECT NAME: [Redacted] CLIENT: [Redacted] | DRAWING NO: 10' CS15 CS&Y RESILIENT WEDGE GATE VALVE LBS. GATE VALVE T:10 ScaleWorks 2016 SP2 | SHEET NO: 4 TOTAL SHEETS: 6 | DWG NO: 10' CS15 CS&Y RESILIENT WEDGE GATE VALVE LBS. GATE VALVE T:10 ScaleWorks 2016 SP2 | SHEET NO: 4 TOTAL SHEETS: 6 | |

| <u>ITEM NO.</u> | <u>COMPONENT</u> | <u>QTY.</u> | <u>SIZE</u> | <u>STANDARD MATERIAL</u> | <u>MATERIAL OPTIONS</u> |
|-----------------|-----------------------|-------------|------------------|--------------------------|--------------------------------|
| 1 | BODY | 1 | - | DUCTILE IRON | - |
| 2 | STEM | 1 | - | C65500 | 304 SS, 316 SS |
| 3 | STEM NUT | 1 | | C87850 | C87610, C87845, C89833, C99500 |
| 4 | O-RING | 1 | #325 | EPDM | BUNA-N |
| 5 | COILED SPRING PIN | 1 | 1/2" X 2 3/4" | 303 SS | - |
| 6 | COVER | 1 | - | DUCTILE IRON | - |
| 7 | O-RING | 1 | #452 | EPDM | BUNA-N |
| 8 | GLAND | 1 | - | CAST IRON | - |
| 9 | HOLD DOWN NUT | 1 | - | C87850 | C87610 (LOW ZINC) |
| 10 | TOP STEM NUT | 1 | - | C86700 | - |
| 11 | LOWER THRUST WASHER | 2 | - | C26000 | - |
| 12 | THRUST WASHER | 1 | - | NYLATRON | - |
| 13 | WEDGE | 1 | - | EPDM/DUCTILE IRON | - |
| 14 | HEX NUT | 2 | 5/8"-11 | 18-8 SS | 316 SS |
| 15 | SQUARE HEAD CAP SCREW | 2 | 5/8"-11 X 3 1/4" | 18-8 SS | 316 SS |
| 16 | HEX HEAD CAP SCREW | 8 | 5/8"-11 X 2 3/4" | 18-8 SS | 316 SS |
| 17 | HEX NUT | 8 | 5/8"-11 | 18-8 SS | 316 SS |
| 18 | HANDWHEEL | 1 | Ø 18" | DUCTILE IRON | - |

- VALVES CONFORM WITH THE FOLLOWING STANDARDS
 - AWWA C515
 - NSF 61
- LOW ZINC BRASS STEM AND STEM NUT AVAILABLE
- 100% DOMESTIC FASTENERS AND ORINGS OPTIONS AVAILABLE
- *OPEN LEFT* (COUNTERCLOCKWISE) AND *OPEN RIGHT* (CLOCKWISE) OPTIONS AVAILABLE
- TURNS TO OPEN FROM FULLY CLOSED: 32
- AWWA MAXIMUM ALLOWABLE CLOSING TORQUE 185 FT-LBS

| | | | |
|---|--|--|---|
| <small> COMPANY: 10' CS15 CS&Y RESILIENT WEDGE PART NO.: 10' CS15 CS&Y RESILIENT WEDGE REV: 12/2/2009 DWG NO.: 10' CS15 CS&Y RESILIENT WEDGE DATE: 12/2/2009 DRAWN BY: [Name] CHECKED BY: [Name] </small> | | <small> WEIGHT: 10' CS15 CS&Y RESILIENT WEDGE LBS: GATE VALVE T:10 SolidWorks 2016 SP2 </small> |  |
| <small> 10' CS15 CS&Y RESILIENT WEDGE LBS: GATE VALVE T:10 SolidWorks 2016 SP2 </small> | | <small> 5 6 D </small> | |