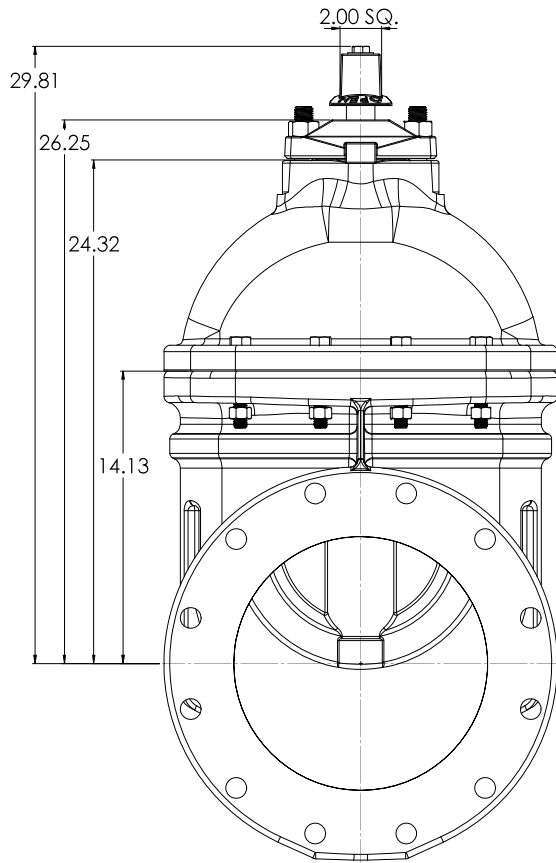
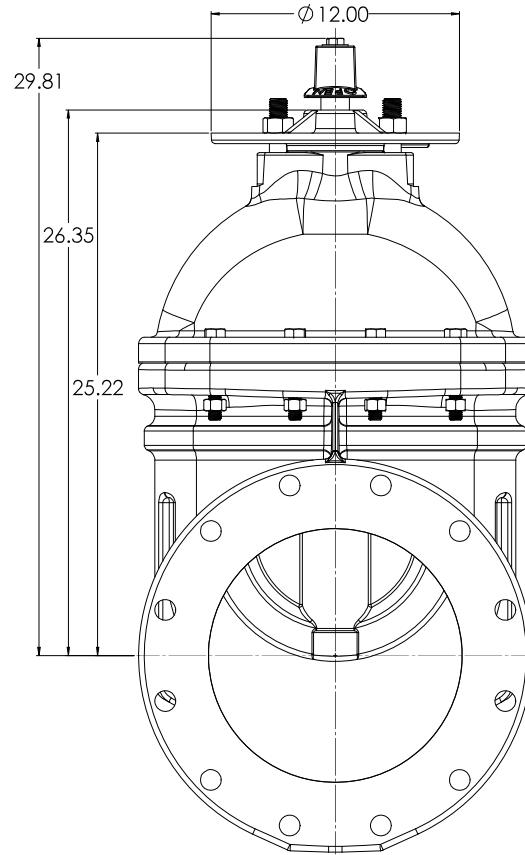


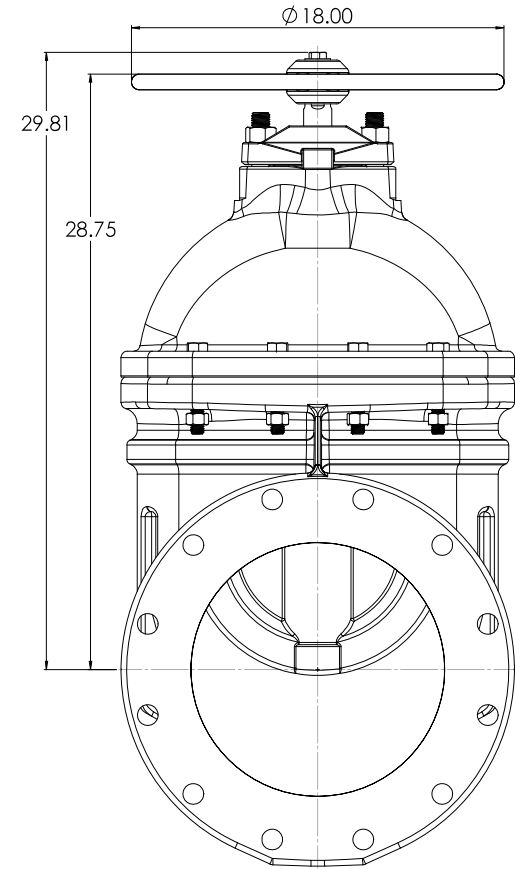
**OPERATING NUT WITH
O-RING PLATE**



**OPERATING NUT WITH
INDICATOR POST PLATE**



**HANDWHEEL WITH
O-RING PLATE**



REVISED DATE: 12/20/2020 BY: CW		DESCRIPTION 12" C509 NRS RESILIENT WEDGE GATE VALVE		SCALE T:5	DATE 12/20/2020	PROJECT SolisWorks 2016 SP2	REV 3 6	
--	--	--	--	---------------------	---------------------------	---------------------------------------	----------------------	--

