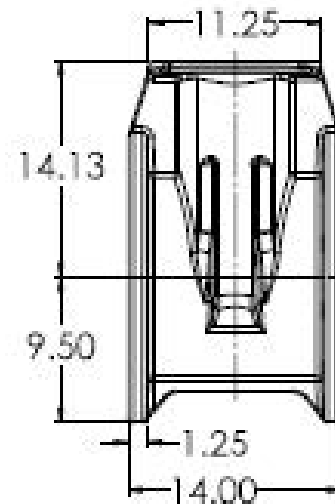
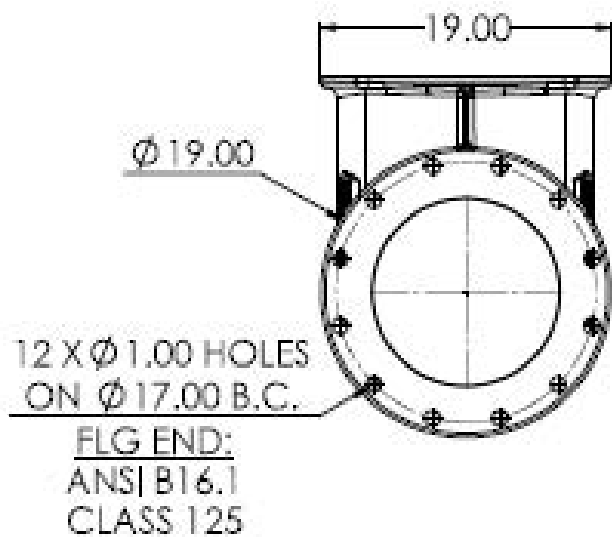


12" C515 FLG X FLG



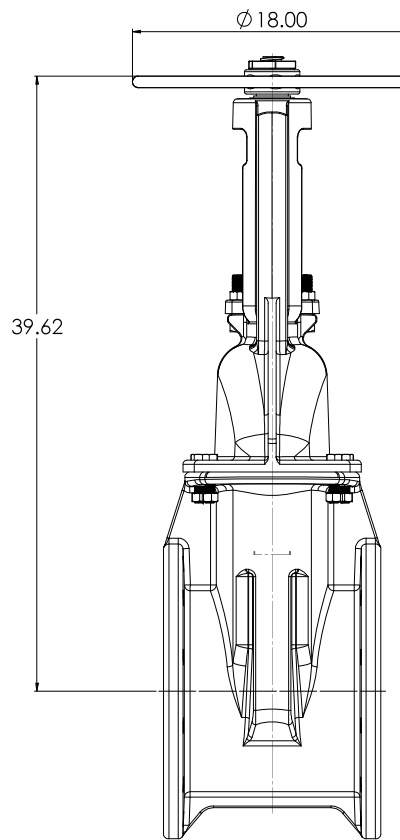
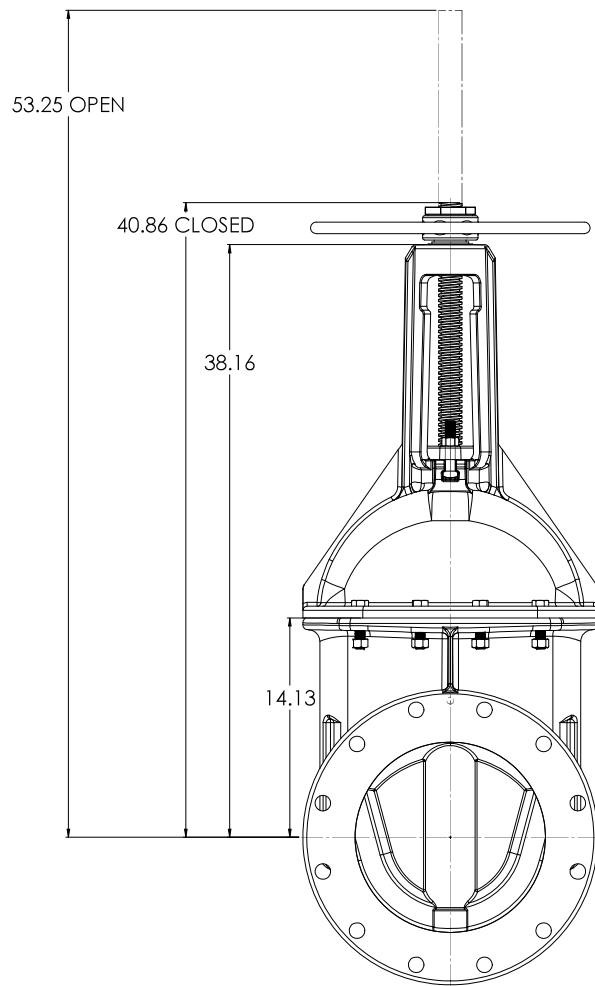
OTHER END CONNECTIONS ARE AVAILABLE UPON REQUEST.

12" C515 FLG X FLG <small>MANUFACTURED BY: [Logo] [Company Name]</small>		<small>REVISIONS:</small> 1. 12/2/2020 [Initials]		<small>DATE:</small> 12/2/2020		<small>SCALE:</small> 1:5		<small>PROJECT:</small> GATE VALVE		<small>WORKSHEET:</small> 12" C515 OS&Y RESILIENT WEDGE		<small>WEIGHT:</small> LBS.		<small>STANDARD:</small> ANSI B16.1 CLASS 125	
<small>DESIGNED BY:</small> [Name]		<small>CHECKED BY:</small> [Name]		<small>DATE:</small> 12/2/2020		<small>SCALE:</small> 1:5		<small>PROJECT:</small> GATE VALVE		<small>WORKSHEET:</small> 12" C515 OS&Y RESILIENT WEDGE		<small>WEIGHT:</small> LBS.		<small>STANDARD:</small> ANSI B16.1 CLASS 125	
<small>APPROVED BY:</small> [Name]		<small>DATE:</small> 12/2/2020		<small>SCALE:</small> 1:5		<small>PROJECT:</small> GATE VALVE		<small>WORKSHEET:</small> 12" C515 OS&Y RESILIENT WEDGE		<small>WEIGHT:</small> LBS.		<small>STANDARD:</small> ANSI B16.1 CLASS 125			

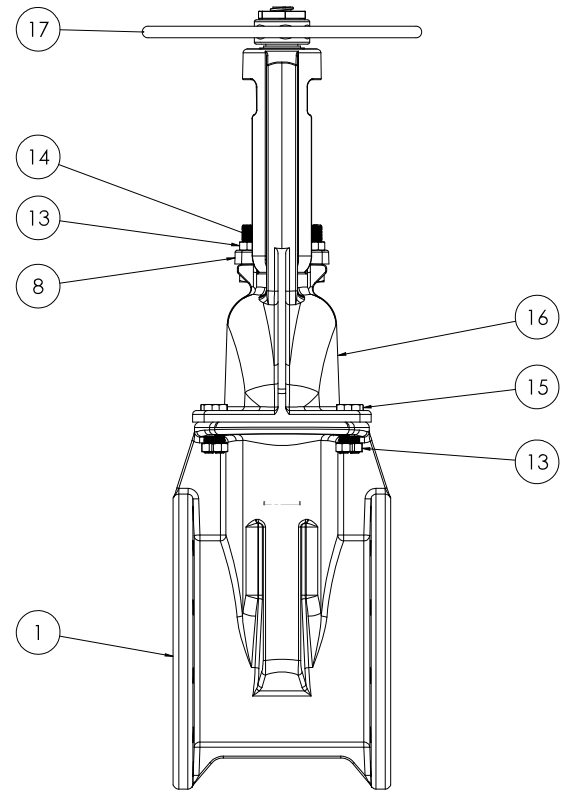
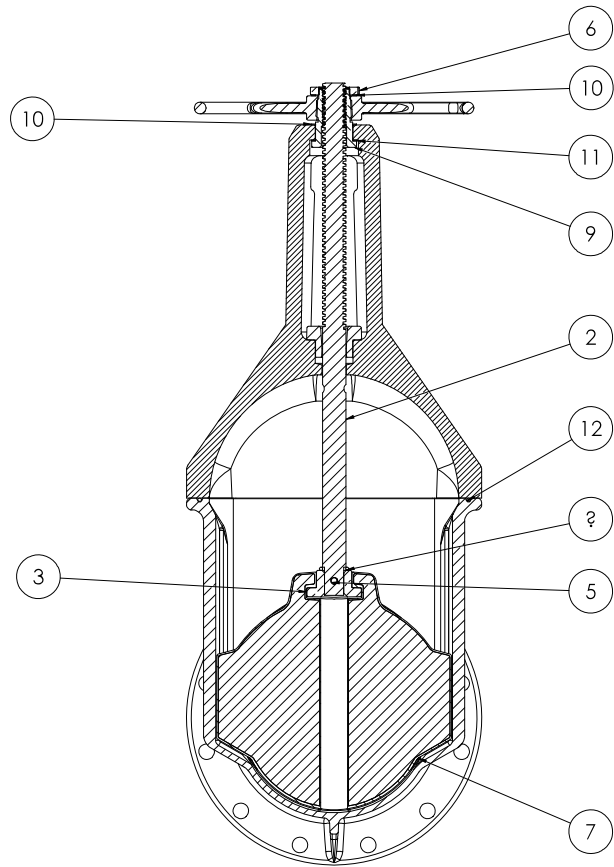


5

OS&Y WITH HANDWHEEL



COMPANY: OS&Y ADDRESS: 12345 INDUSTRIAL BLVD CITY: NEW YORK, NY 10001 PHONE: (212) 555-1234 FAX: (212) 555-5678 WEBSITE: WWW.OS&Y.COM		PROJECT: 12" CS15 OS&Y RESILIENT WEDGE GATE VALVE DRAWING NO: LBS-GATE VALVE SCALE: T:10 DATE: 12/3/2020 DRAWN BY: CW CHECKED BY: SP		SHEET NO: 2 TOTAL SHEETS: 5 REVISIONS: D	
---	--	---	--	---	--



COMPANY: SOLO WORKS ADDRESS: 12345 INDUSTRIAL BLVD CITY: CHICAGO, IL 60601 PHONE: (773) 555-1234 FAX: (773) 555-5678 WEBSITE: WWW.SOLOWORKS.COM		PROJECT: 12" CS15 CS&Y RESILIENT WEDGE GATE VALVE DRAWING NO: LBS-GATE VALVE DATE: 12/20/2020 SCALE: T:10		 REV: 3 OF: 5
DATE: 12/20/2020 TIME: 10:00 AM DRAWN BY: J. SMITH CHECKED BY: M. JONES APPROVED BY: R. BROWN	PROJECT NO: 12345 CLIENT: ABC COMPANY LOCATION: 12345 INDUSTRIAL BLVD CITY: CHICAGO, IL 60601	DRAWING NO: LBS-GATE VALVE SCALE: T:10 SHEET NO: 3 OF 5	PROJECT: 12" CS15 CS&Y RESILIENT WEDGE GATE VALVE DATE: 12/20/2020 SCALE: T:10 SHEET NO: 3 OF 5	 MHI MEMBER COMPANY REV: 3 OF: 5

<u>ITEM NO.</u>	<u>COMPONENT</u>	<u>QTY.</u>	<u>SIZE</u>	<u>STANDARD MATERIAL</u>	<u>MATERIAL OPTIONS</u>
1	BODY	1	-	DUCTILE IRON	-
2	STEM	1	-	C65500	304 SS, 316 SS
3	STEM NUT	1		C87850	C87610 (LOW ZINC), C78745, C89833, C99500 (LOW ZINC)
4	O-RING	1	#325	EPDM	BUNA-N
5	DRIVLOK PIN	1	7/16"X2 1/4"	303 SS	-
6	HOLD DOWN NUT	1	-	C97950	C87610 (LOW ZINC)
7	WEDGE	1	-	EPDM/DUCTILE IRON	-
8	GLAND	1	-	CAST IRON	-
9	TOP STEM NUT	1	-	C86700	C99400 (LOW ZINC)
10	THRUST WASHER	2	-	C26000	-
11	THRUST WASHER	1	-	NYLATRON	-
12	O-RING	1	#455	EPDM	BUNA-N
13	HEX NUT	10	5/8"-11	18-8 SS	316 SS
14	SQUARE HEAD CAPSCREW	2	5/8"-11 X 3 1/4"	18-8 SS	316 SS
15	HEX HEAD CAPSCREW	8	5/8"-11 X 2 3/4"	18-8 SS	316 SS
16	COVER	1	-	DUCTILE IRON	-
17	HANDWHEEL	1	Ø 18"	DUCTILE IRON	-

- VALVES CONFORM WITH THE FOLLOWING STANDARDS
 - AWWA C515
 - NSF 61
- LOW ZINC BRASS STEM AND STEM NUT AVAILABLE
- 100% DOMESTIC FASTENERS AND ORINGS OPTIONS AVAILABLE
- *OPEN LEFT* (COUNTERCLOCKWISE) AND *OPEN RIGHT* (CLOCKWISE) OPTIONS AVAILABLE
- TURNS TO OPEN FROM FULLY CLOSED: 38
- AWWA MAXIMUM ALLOWABLE CLOSING TORQUE 200 FT-LBS

<small> COMPANY: SOLOWORKS ADDRESS: 11000 W. 10TH AVE., SUITE 100, DENVER, CO 80202 PHONE: 303.751.1000 FAX: 303.751.1001 WWW.SOLOWORKS.COM </small>		<small> PROJECT: 12" CS15 CS&Y RESILIENT WEDGE GATE VALVE DATE: 12/2/2020 DRAWN BY: TJT CHECKED BY: TJT SCALE: 1:10 SHEET NO: 5 OF 5 </small>		
---	--	---	--	---