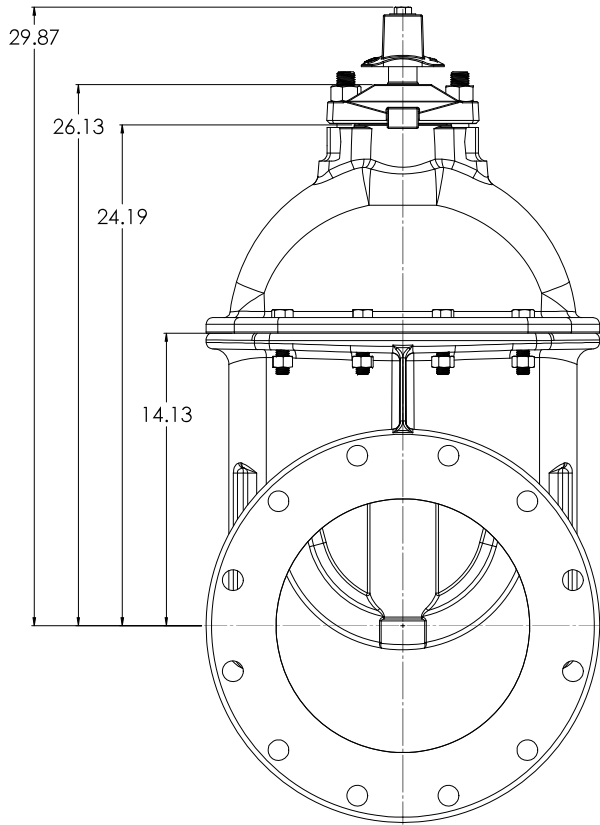
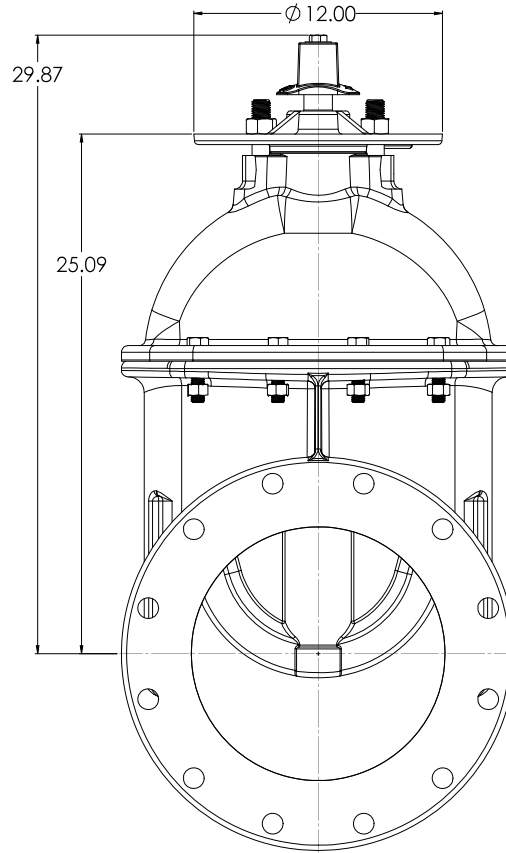


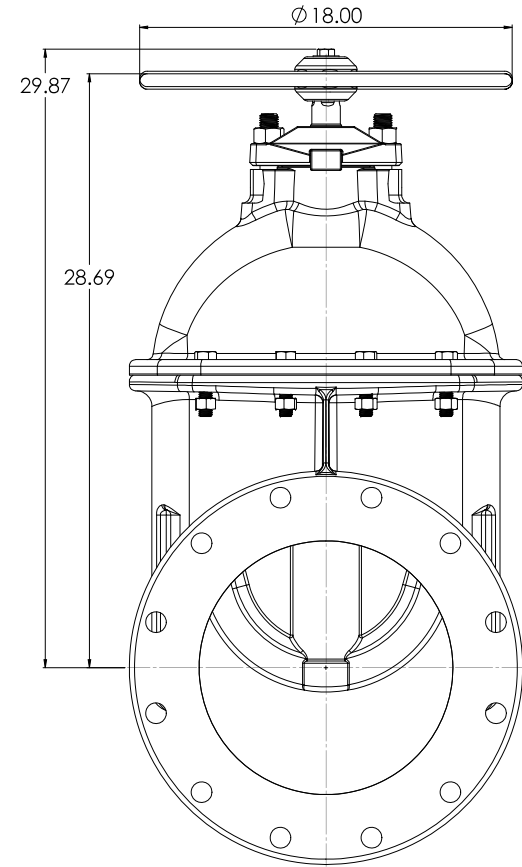
**OPERATING NUT WITH
O-RING PLATE**



**OPERATING NUT WITH
INDICATOR POST PLATE**



**HANDWHEEL WITH
O-RING PLATE**



COMPANY: SOLEWORKS ADDRESS: 12000 W. 120th St., Suite 100, Overland Park, KS 66213 PHONE: (913) 666-1100 FAX: (913) 666-1101 WWW: www.soleworks.com		PROJECT: 12" CS18 NRS RESILIENT WEDGE GATE VALVE LBS: 1500 DATE: 12/29/2020		SHEET: 2 TOTAL: 5	SCALE: 1:5 DRAWN BY: SW CHECKED BY: SW DATE: 12/29/2020	PROJECT NO: 2018-SP2 DRAWING NO: 2018-SP2 DATE: 12/29/2020	PROJECT: 12" CS18 NRS RESILIENT WEDGE GATE VALVE LBS: 1500 DATE: 12/29/2020	SHEET: 2 TOTAL: 5	SCALE: 1:5 DRAWN BY: SW CHECKED BY: SW DATE: 12/29/2020	PROJECT NO: 2018-SP2 DRAWING NO: 2018-SP2 DATE: 12/29/2020
--	--	--	--	------------------------------------	--	---	--	------------------------------------	--	---

<u>ITEM NO.</u>	<u>COMPONENT</u>	<u>QTY.</u>	<u>SIZE</u>	<u>STANDARD MATERIAL</u>	<u>MATERIAL OPTIONS</u>
1	BODY	1	-	DUCTILE IRON	-
2	WEDGE	1	-	EPDM/DUCTILE IRON	-
3	STEM	1	-	C86700	C9950 (LOW ZINC), 304 SS, 316 SS
4	THRUST WASHER	2	-	ACETAL	C26000
5	O-RING	3	#218	EPDM	BUNA-N
6	O-RING	1	#455	EPDM	BUNA-N
7	COVER	1	-	DUCTILE IRON	-
8	O-RING	1	#339	EPDM	BUNA-N
9	WASHER	1	1/2"	18-8 SS	316 SS
10	HEX HEAD CAPSCREW	1	1/2"-13 X 1 1/4"	18-8 SS	316 SS
11	HEX HEAD CAPSCREW	2	7/8"-9 X 3 1/2"	18-8 SS	316 SS
12	HEX NUT	2	7/8"-9	18-8 SS	316 SS
13	HEX HEAD CAPSCREW	8	5/8"-11 X 2 3/4"	18-8 SS	316 SS
14	HEX NUT	8	5/8"-11	18-8 SS	316 SS
15	O-RING PLATE	1	-	DUCTILE IRON	**INDICATOR POST PLATE**
16	STEM NUT	1	-	C87850	C99500 (LOW ZINC)
17	OPERATING NUT	1	-	CAST IRON	C86700, DUCTILE IRON, **Ø 18" HANDWHEEL**

- VALVES CONFORM WITH THE FOLLOWING STANDARDS
 - AWWA C515
 - NSF 61
- LOW ZINC BRASS STEM AND STEM NUT AVAILABLE
- 100% DOMESTIC FASTENERS AND ORINGS OPTIONS AVAILABLE
- *OPEN LEFT* (COUNTERCLOCKWISE) AND *OPEN RIGHT* (CLOCKWISE) OPTIONS AVAILABLE
- TURNS TO OPEN FROM FULLY CLOSED: 38
- AWWA MAXIMUM ALLOWABLE CLOSING TORQUE 200 FT-LBS
- OPTIONAL HANDWHEEL CAN BE SUBSTITUTED FOR STANDARD 2" SQUARE OP. NUTS.
 - ****NOTE: STANDARD HANDWHEEL SIZE LISTED OUT IN PARTS LIST.****

<small> COMPANY: STANLEY ADDRESS: 10000 W. 10TH AVE., DENVER, CO 80201 PHONE: 303.750.0000 FAX: 303.750.0001 WWW: WWW.STANLEY.COM </small>		<small> PRODUCT: 12" CS15 NRS RESILIENT WEDGE GATE VALVE PART NO: 12" CS15 NRS RESILIENT WEDGE GATE VALVE QTY: 4 UNIT: LBS WEIGHT: 5 </small>		
<small> DATE: 12/2/2020 TIME: 1:5 USER: SWK WORKSTATION: SWK </small>	<small> PROJECT: 12" CS15 NRS RESILIENT WEDGE GATE VALVE DRAWING NO: 12" CS15 NRS RESILIENT WEDGE GATE VALVE REV: 1 DATE: 12/2/2020 </small>	<small> SCALE: 1:1 SHEET NO: 1 TOTAL SHEETS: 1 </small>	<small> DESIGNED BY: SWK CHECKED BY: SWK APPROVED BY: SWK </small>	<small> DATE: 12/2/2020 TIME: 1:5 USER: SWK WORKSTATION: SWK </small>