

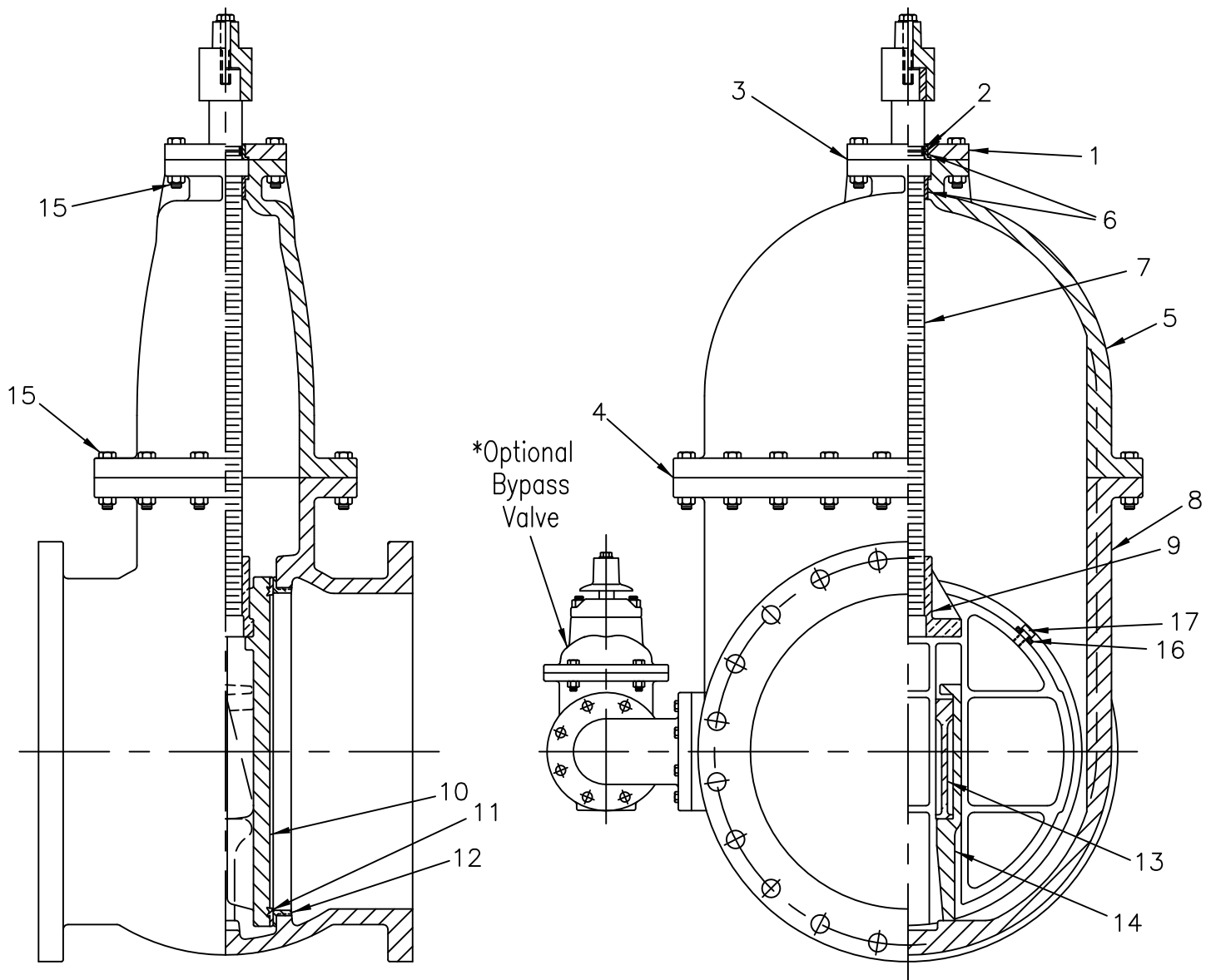
VALVE SIZE	A	B	C	D	E	F	G	H	Turns to Open
14	15 3/4	23	21	36 1/2	38 3/4	22	1 7/8	23 3/8	45
16	17	23	23 1/2	40 3/4	43 1/2	22	1 7/8	25 3/4	52
18	19	24	25	43 1/4	46	26	2 1/8	27 3/4	58
20	20	24	27 1/2	47 1/4	50	26	2 1/8	32 7/8	64
24	23	28 1/2	32	55	56 3/4	30	2 1/2	35 3/4	76
30	25	32 1/2	38 3/4	64 3/4	66 1/2	30	2 3/4	45 3/4	63
36	27	36	46	75 3/8	77 3/8	36	3	56 1/4	75

*OPTIONAL BYPASS VALVE: (14"=2") (16"-20"=3") (24"=4") STANDARD ON: (30"=4") (36"=6")
 GEARING RECOMMENDED ON 14"-24" VALVES, MANDATORY ON 30" & 36"

M&H VALVE COMPANY
 ANNISTON, ALABAMA
 A DIVISION OF MCWANE INC.

DWN: TRIJ
 DATE: 9/1/12
 DWG. NO.
 DD6

14" THRU 36"
 DOUBLE DISC GATE VALVE
 C500-MODEL 2613
 FLANGED ENDS



QTY	DESCRIPTION	MATERIAL
1	O-ring Plate	Cast Iron, ASTM A126 Class B
2	O-ring	Buna-N
3	Stuffing Box Gasket	Composition
4	Neck Flange Gasket	Buna-N
5	Cover	Cast Iron, ASTM A126 Class B
6	Bushing	Bronze, ASTM B584 Alloy 836
7	Stem	Bronze, ASTM B584 Alloy 867
8	Body	Cast Iron, ASTM A126 Class. B
9	Stem Nut	Bronze, ASTM B584 Alloy 836

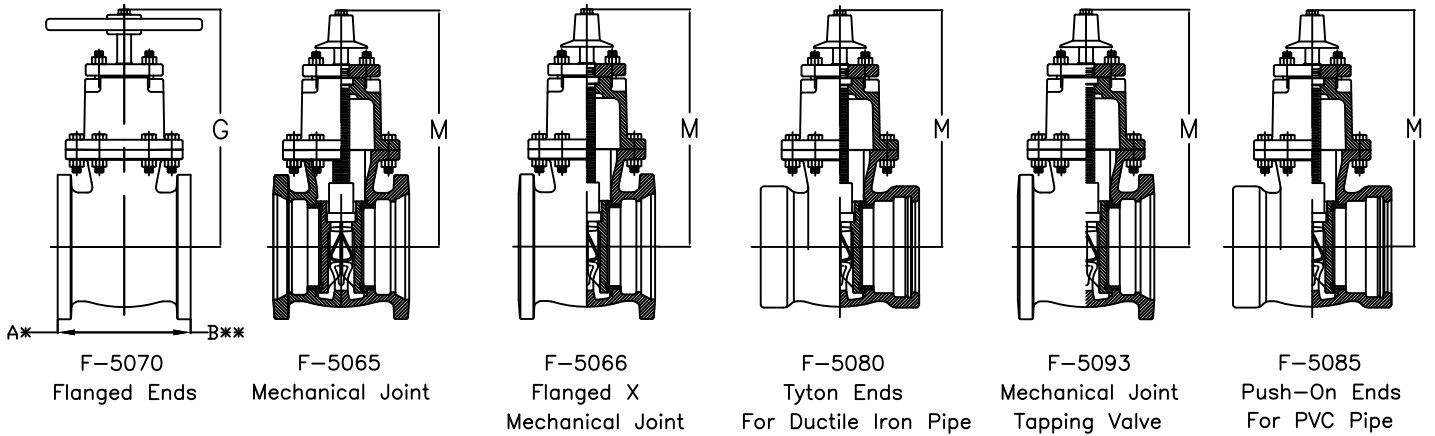
QTY	DESCRIPTION	MATERIAL
10	Gate	Cast Iron, ASTM A126 Class B
11	Gate Ring	Bronze, ASTM B584 Alloy 836
12	Case Ring	Bronze, ASTM B584 Alloy 836
13	Wedge	Bronze, ASTM B584 Alloy 836
14	Hook	Cast Iron, ASTM A126 Class B
15	Bolts & Nuts	Rust Proof Steel
16	Strap	Bronze, ASTM B584 Alloy 836
17	Peg	Bronze, ASTM B584 Alloy 836

*OPTIONAL BYPASS VALVE: (14"=2") (16"-20"=3") (24"=4") STANDARD ON: (30"=4") (36"=6")
 GEARING RECOMMENDED ON 14"-24" VALVES, MANDATORY ON 30" & 36"

M&H VALVE COMPANY
 ANNISTON, ALABAMA
 A DIVISION OF MCWANE INC.

DWN: TRIJ
 DATE: 9/1/12
 DWG. NO.
 DD6/7

14" THRU 36"
 DOUBLE DISC GATE VALVE
 C500-MODEL 2613
 VALVE ASSEMBLY/MATERIAL LIST



VALVE SIZE	A	B	G	M	TURNS TO OPEN	DIAM. OF STEM
2	7	—	10 1/4	10 1/4	5	7/8
2 1/4	7 1/2	—	10 1/4	10 1/4	5	7/8
2 1/2	7 1/2	—	11 3/8	11 3/8	6	7/8
3	8	—	12 1/4	12 1/2	7	7/8
4	9	—	14	14	15	1 1/8
5	10	—	15 1/2	15 1/2	18	1 1/8
6	10 1/2	—	18	18	21	1 1/4
8	11 1/2	—	22	22	27	1 3/8
10	13	—	25 5/8	25 5/8	33	1 1/2
12	14	—	29 1/8	29 1/8	39	1 1/2
14	15 3/4	23	36 1/2	39 3/4	45	1 7/8
16	17	23	40 3/4	43 1/2	52	1 7/8
18	19	24	43 1/4	46	58	2 1/8
20	20	24	47 1/4	50	64	2 1/8
24	23	28 1/2	55	56 3/4	76	2 1/2
30	25	32 1/2	64 3/4	66 1/2	63	2 3/4
36	27	36	75 3/8	77 3/8	75	3
42	34	34	—	—	88	3 1/2
48	45 1/2	45 1/2	—	—	100	4

TURNS TO OPEN ARE FOR VALVES WITHOUT GEARING

FLANGES ARE FACED AND DRILLED TO ANSI 125 POUND TEMPLATE, UNLESS OTHERWISE SPECIFIED

* WITHOUT BYPASS

** WITH BYPASS

M&H VALVE COMPANY
ANNISTON, ALABAMA
A DIVISION OF MCWANE INC.

DWN: TRIJ
DATE: 9/1/12
DWG. NO.
DD3

2" THRU 48"
DOUBLE DISC GATE VALVE
C500-MODEL 2613
GENERAL DIMENSIONS / INFORMATION