

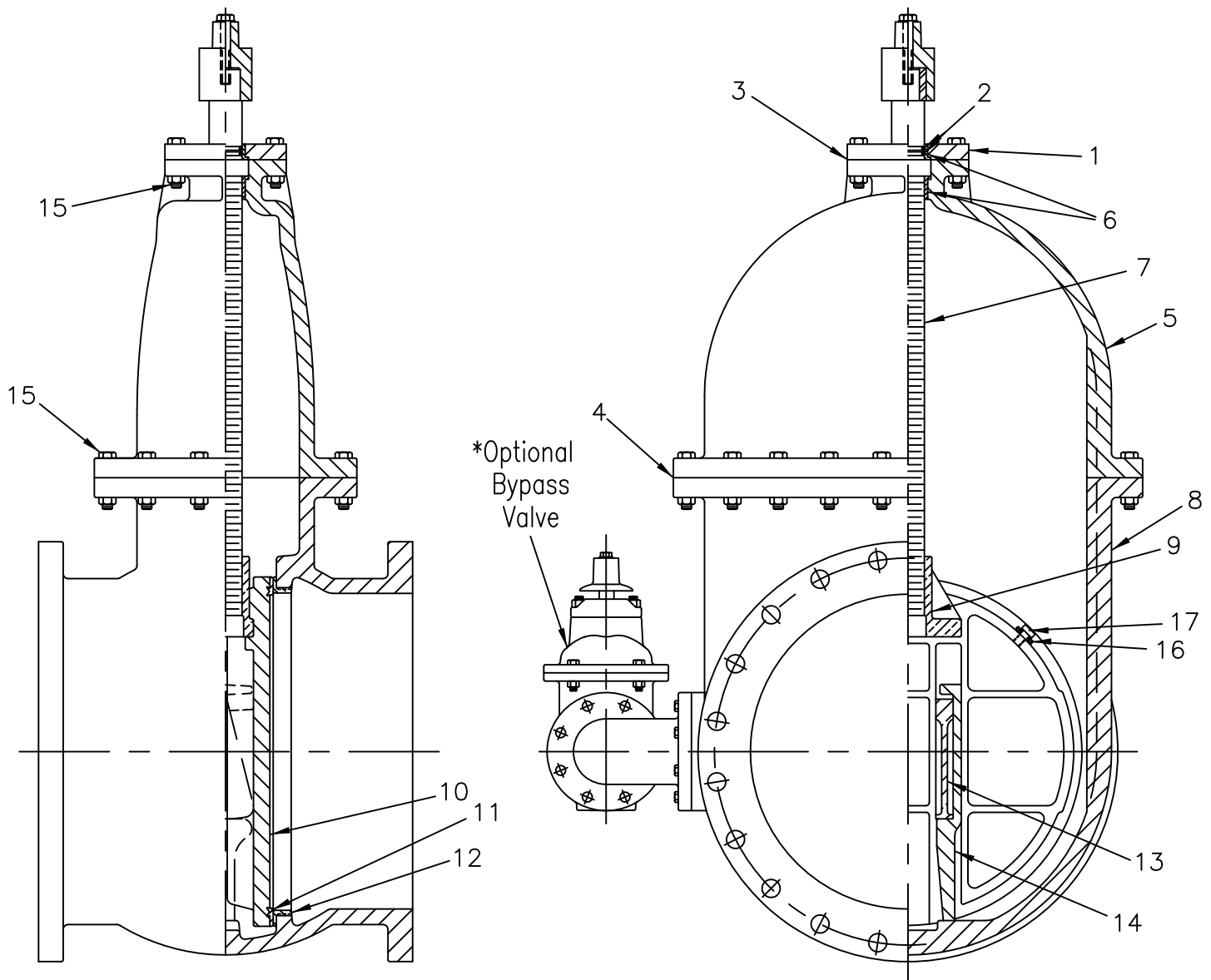
VALVE SIZE	14	16	18	20	24	30	36
A	7 $\frac{1}{4}$	9 $\frac{1}{8}$	9 $\frac{1}{4}$	10	16	12 $\frac{1}{2}$	23 $\frac{3}{4}$
B	15 $\frac{1}{2}$	13 $\frac{3}{4}$	14	16 $\frac{3}{4}$	21	20 $\frac{1}{4}$	23 $\frac{3}{4}$
C	20 $\frac{1}{4}$	22 $\frac{1}{2}$	24 $\frac{3}{4}$	27	32	39 $\frac{1}{8}$	46
D	28 $\frac{1}{4}$	32 $\frac{1}{4}$	35 $\frac{3}{8}$	39	45 $\frac{3}{8}$	55 $\frac{3}{4}$	65 $\frac{1}{4}$
E	35 $\frac{1}{4}$	39 $\frac{1}{4}$	42 $\frac{3}{8}$	46	52 $\frac{3}{8}$	62 $\frac{3}{4}$	72 $\frac{1}{4}$
F	19 $\frac{1}{4}$	20 $\frac{1}{2}$	22 $\frac{1}{2}$	24	28	31 $\frac{1}{2}$	40
G	1 $\frac{7}{8}$	1 $\frac{7}{8}$	2 $\frac{1}{8}$	2 $\frac{1}{8}$	2 $\frac{1}{2}$	2 $\frac{3}{4}$	3
H	25 $\frac{5}{8}$	25 $\frac{3}{4}$	27 $\frac{3}{4}$	32 $\frac{7}{8}$	35 $\frac{3}{4}$	45 $\frac{3}{4}$	56 $\frac{1}{4}$

\*OPTIONAL BYPASS VALVE: (14"=2") (16"-20"=3") (24"=4") STANDARD ON: (30"=4") (36"=6")  
GEARING RECOMMENDED ON 14"-24" VALVES, MANDATORY ON 30" & 36"

M&H VALVE COMPANY  
ANNISTON, ALABAMA  
A DIVISION OF MCWANE INC.

DWN: TRIJ  
DATE: 9/1/12  
DWG. NO.  
DD7

14" THRU 36"  
DOUBLE DISC GATE VALVE  
C500-MODEL 2613  
MECHANICAL JOINT



QTY	DESCRIPTION	MATERIAL
1	O-ring Plate	Cast Iron, ASTM A126 Class B
2	O-ring	Buna-N
3	Stuffing Box Gasket	Composition
4	Neck Flange Gasket	Buna-N
5	Cover	Cast Iron, ASTM A126 Class B
6	Bushing	Bronze, ASTM B584 Alloy 836
7	Stem	Bronze, ASTM B584 Alloy 867
8	Body	Cast Iron, ASTM A126 Class. B
9	Stem Nut	Bronze, ASTM B584 Alloy 836

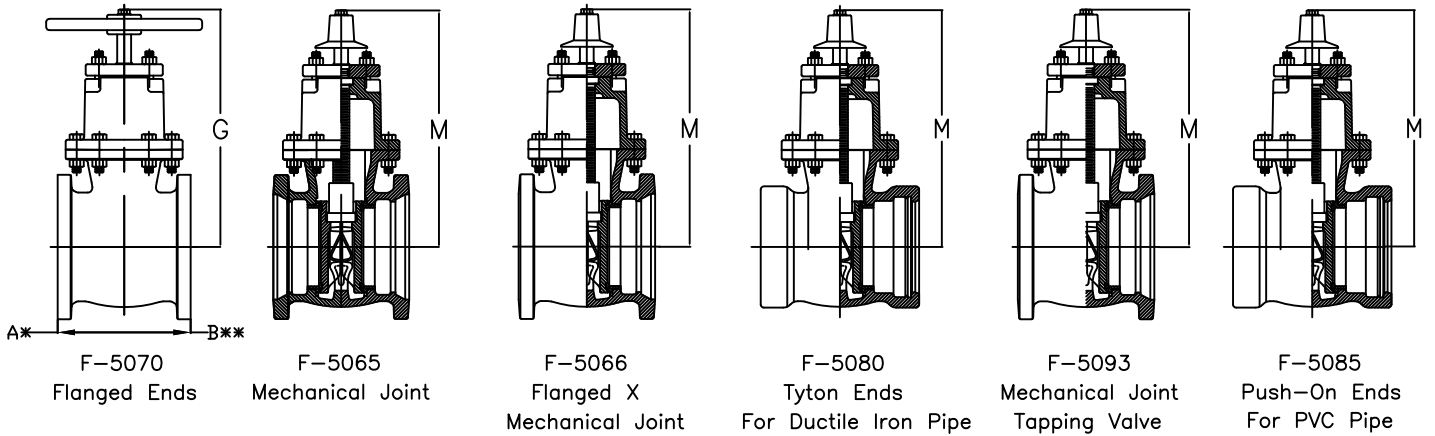
QTY	DESCRIPTION	MATERIAL
10	Gate	Cast Iron, ASTM A126 Class B
11	Gate Ring	Bronze, ASTM B584 Alloy 836
12	Case Ring	Bronze, ASTM B584 Alloy 836
13	Wedge	Bronze, ASTM B584 Alloy 836
14	Hook	Cast Iron, ASTM A126 Class B
15	Bolts & Nuts	Rust Proof Steel
16	Strap	Bronze, ASTM B584 Alloy 836
17	Peg	Bronze, ASTM B584 Alloy 836

\*OPTIONAL BYPASS VALVE: (14"=2") (16"-20"=3") (24"=4") STANDARD ON: (30"=4") (36"=6")  
 GEARING RECOMMENDED ON 14"-24" VALVES, MANDATORY ON 30" & 36"

M&H VALVE COMPANY  
 ANNISTON, ALABAMA  
 A DIVISION OF MCWANE INC.

DWN: TRIJ  
 DATE: 9/1/12  
 DWG. NO.  
 DD6/7

14" THRU 36"  
 DOUBLE DISC GATE VALVE  
 C500-MODEL 2613  
 VALVE ASSEMBLY/MATERIAL LIST



VALVE SIZE	A	B	G	M	TURNS TO OPEN	DIAM. OF STEM
2	7	—	10 1/4	10 1/4	5	7/8
2 1/4	7 1/2	—	10 1/4	10 1/4	5	7/8
2 1/2	7 1/2	—	11 3/8	11 3/8	6	7/8
3	8	—	12 1/4	12 1/2	7	7/8
4	9	—	14	14	15	1 1/8
5	10	—	15 1/2	15 1/2	18	1 1/8
6	10 1/2	—	18	18	21	1 1/4
8	11 1/2	—	22	22	27	1 3/8
10	13	—	25 5/8	25 5/8	33	1 1/2
12	14	—	29 1/8	29 1/8	39	1 1/2
14	15 3/4	23	36 1/2	39 3/4	45	1 7/8
16	17	23	40 3/4	43 1/2	52	1 7/8
18	19	24	43 1/4	46	58	2 1/8
20	20	24	47 1/4	50	64	2 1/8
24	23	28 1/2	55	56 3/4	76	2 1/2
30	25	32 1/2	64 3/4	66 1/2	63	2 3/4
36	27	36	75 3/8	77 3/8	75	3
42	34	34	—	—	88	3 1/2
48	45 1/2	45 1/2	—	—	100	4

TURNS TO OPEN ARE FOR VALVES WITHOUT GEARING

FLANGES ARE FACED AND DRILLED TO ANSI 125 POUND TEMPLATE, UNLESS OTHERWISE SPECIFIED

\* WITHOUT BYPASS

\*\* WITH BYPASS

M&H VALVE COMPANY  
ANNISTON, ALABAMA  
A DIVISION OF MCWANE INC.

DWN: TRIJ  
DATE: 9/1/12  
DWG. NO.  
DD3

2" THRU 48"  
DOUBLE DISC GATE VALVE  
C500-MODEL 2613  
GENERAL DIMENSIONS / INFORMATION