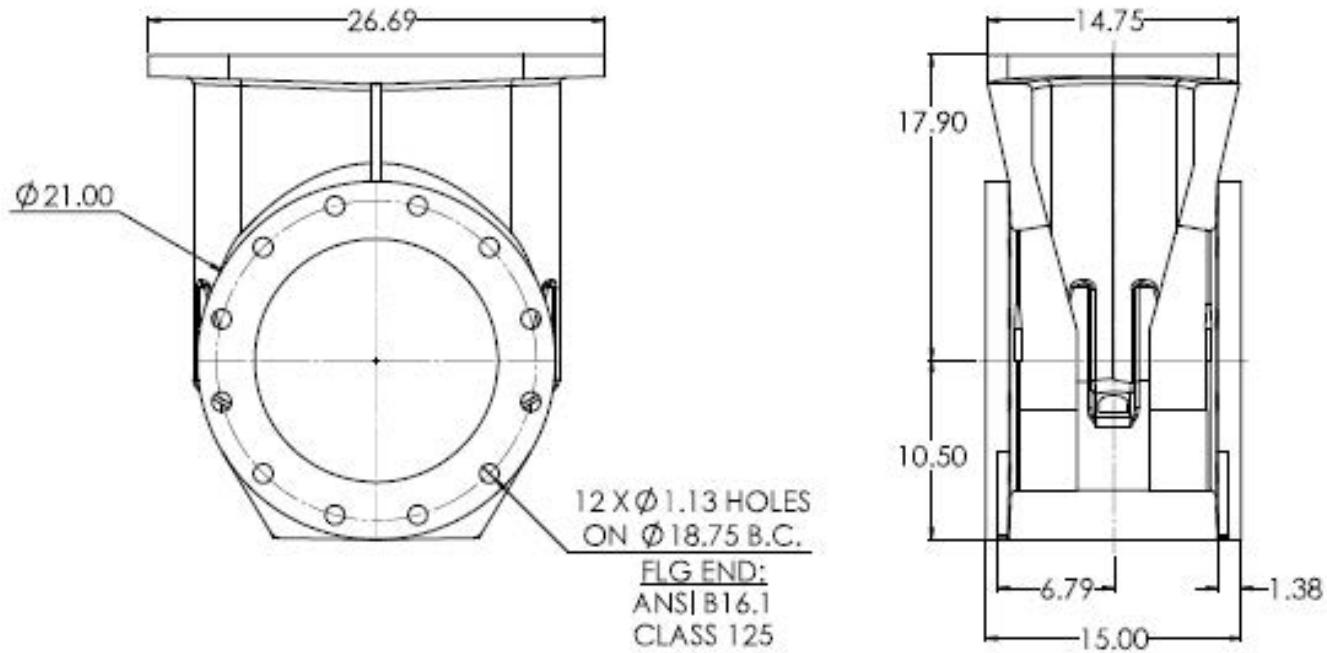


## 14" C515 FLG X FLG

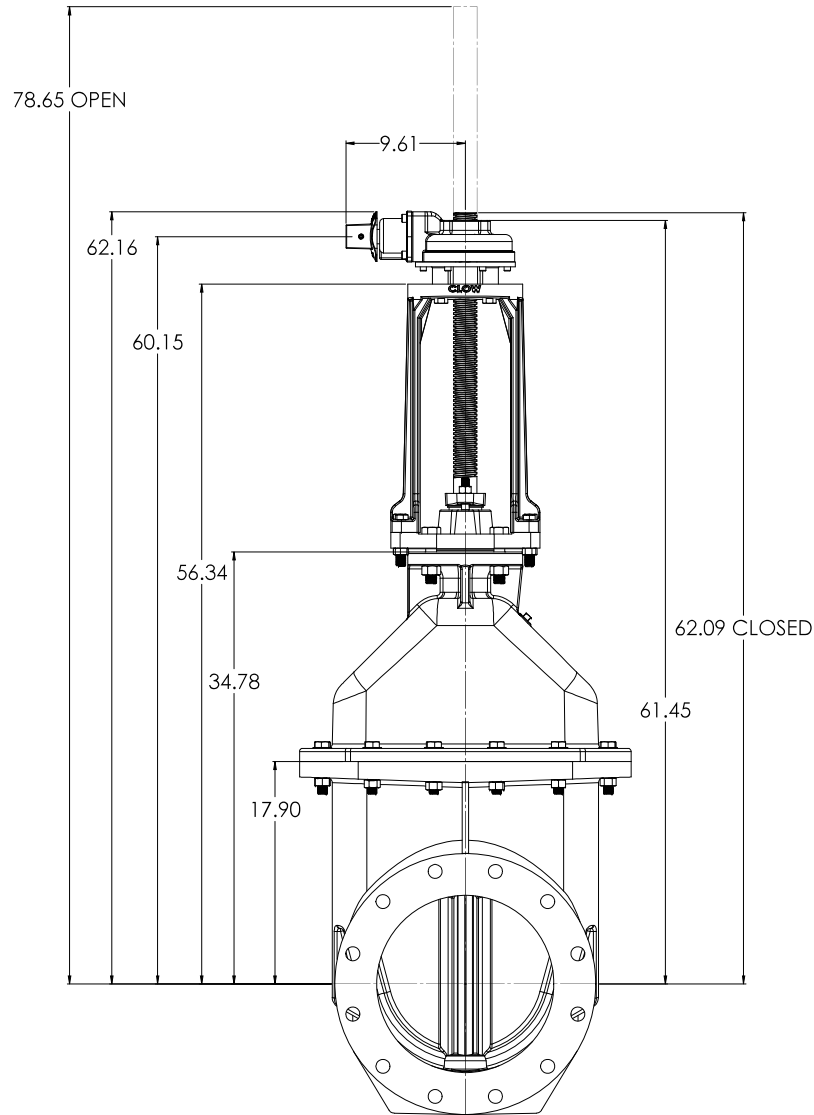


OTHER END CONNECTIONS ARE AVAILABLE UPON REQUEST.

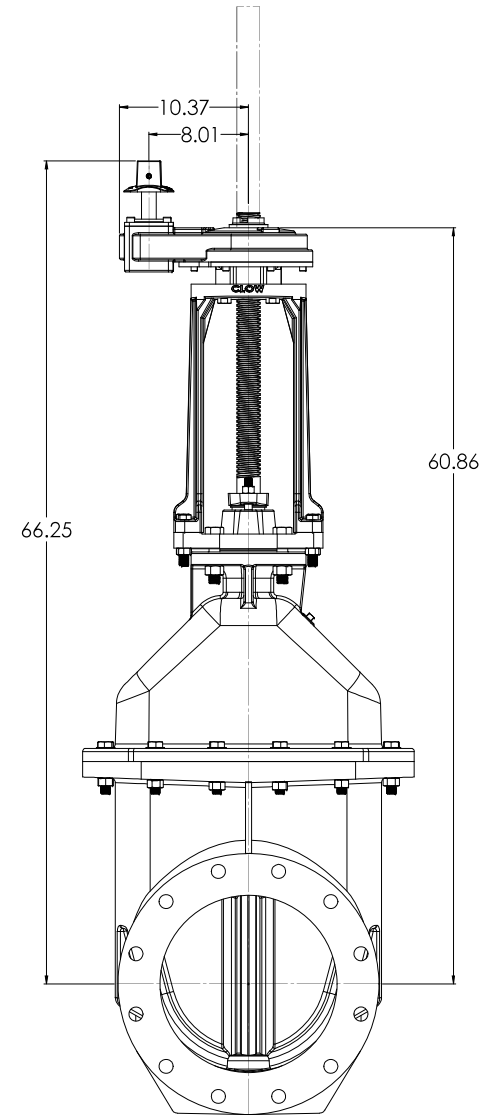
<b>COMPANY</b> O&Y VALVE WORKS, INC. 14000 W. 14TH AVE., SUITE 100 GOLDEN, CO 80401		<b>REVISIONS</b> 1. 12/2/2018 2. 12/2/2018		<b>DATE</b> 12/2/2018	
<b>DESIGNER</b> CW <b>CHECKED</b> CW <b>DATE</b> 12/2/2018		<b>PROJECT</b> 14" C515 O&Y GEARED RESILIENT WEDGE GATE VALVE		<b>SCALE</b> 1:5	
<b>QUANTITY</b> 1		<b>UNIT</b> LBS.		<b>DATE</b> 12/2/2018	
<b>REVISED</b> 1		<b>REVISED</b> 1		<b>REVISED</b> 1	



**BEVEL GEAR WITH OPERATING NUT**

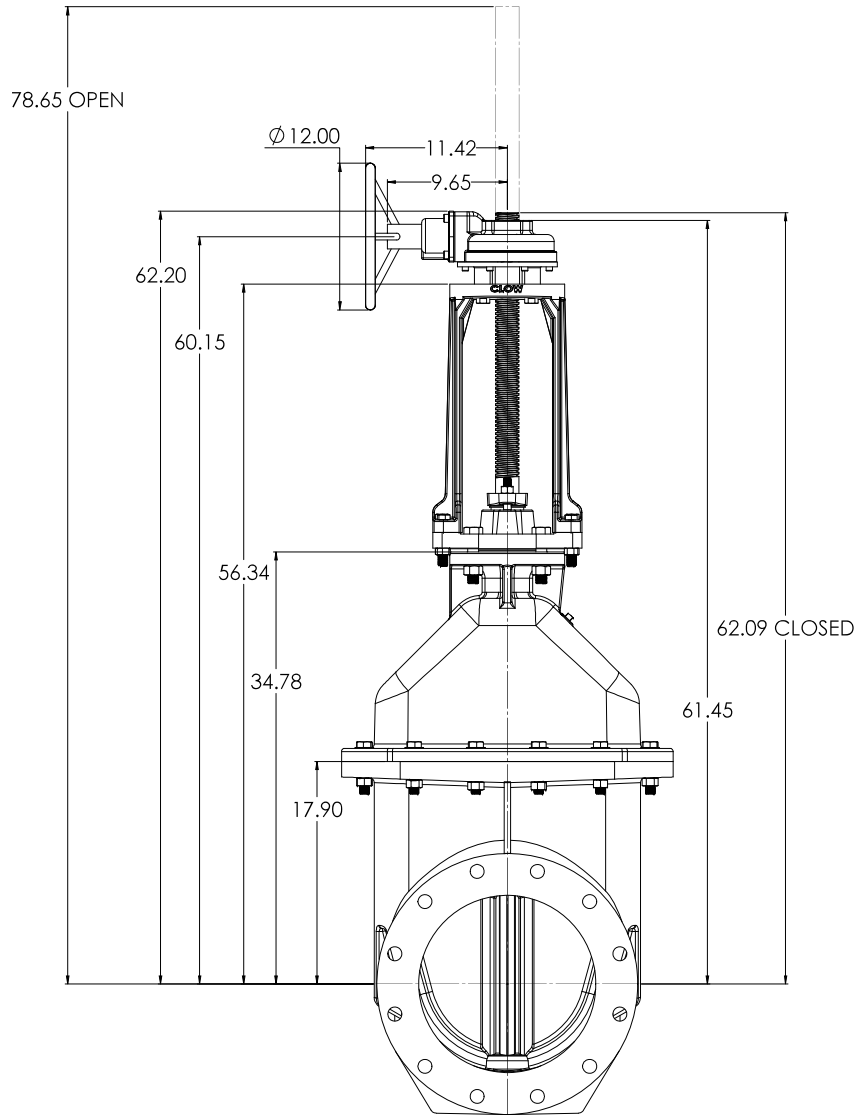


**SPUR GEAR WITH OPERATING NUT**

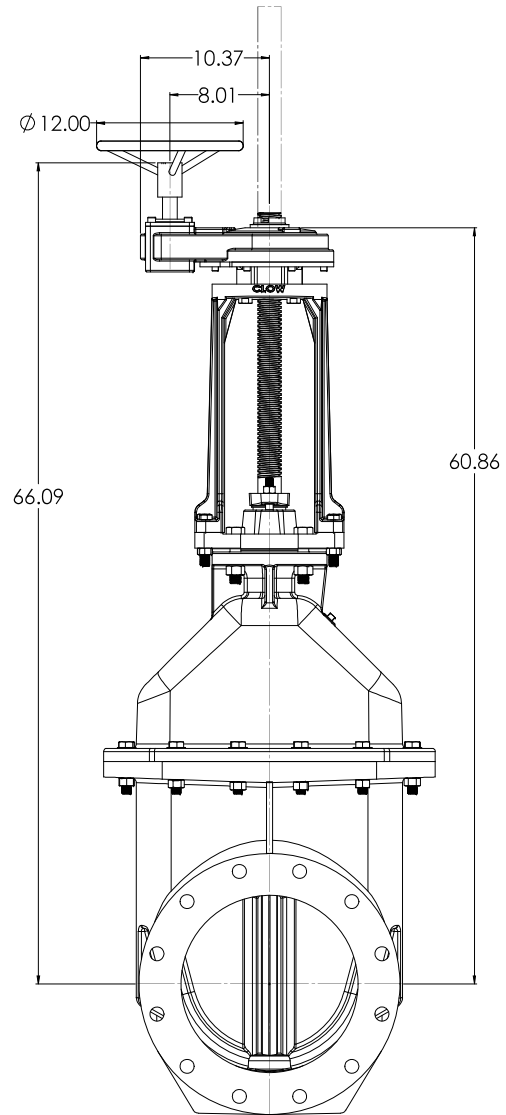


<b>WEDGEMASTER</b> 14" CS15 CS&Y GEARED RESILIENT WEDGE GATE VALVE		14" CS15 CS&Y GEARED RESILIENT WEDGE GATE VALVE		3 8	D
DATE: 12/29/2020 DWG NO: 21007 REV: 0 DESIGNED BY: JRM CHECKED BY: JRM	PROJECT NO: 1229/2020 DRAWING NO: 21007	SCALE: T:10 SHEET NO: 8	COMPANY: SolaWorks 2016 SP2		

**BEVEL GEAR WITH HANDWHEEL**

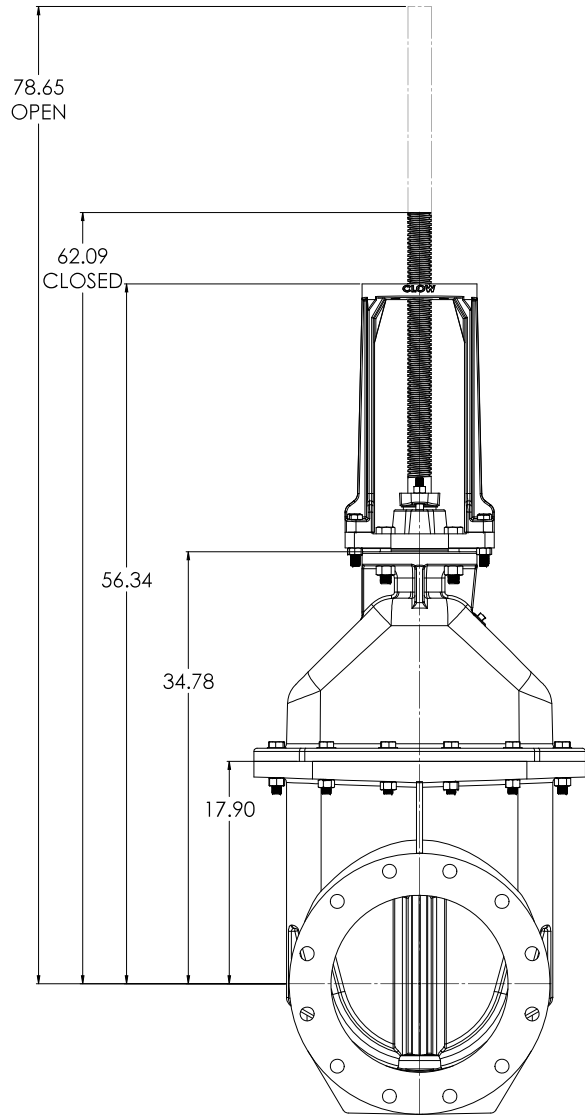


**SPUR GEAR WITH HANDWHEEL**



<b>WEDGE GEAR</b> 14" CS15 CS&Y GEARED RESILIENT WEDGE GATE VALVE		14" CS15 CS&Y GEARED RESILIENT WEDGE GATE VALVE	
DATE: 12/20/2020 DWG NO: 21007 REV: 1 DESIGNED BY: JAC CHECKED BY: JAC	PROJECT NO: 21007 PROJECT NAME: 14" CS15 CS&Y GEARED RESILIENT WEDGE GATE VALVE SCALE: T:10 SHEET NO: 8	DRAWN BY: JAC CHECKED BY: JAC DATE: 12/20/2020	PROJECT NO: 21007 PROJECT NAME: 14" CS15 CS&Y GEARED RESILIENT WEDGE GATE VALVE SCALE: T:10 SHEET NO: 8

# BARE STEM



STANDARD FA14  
MOUNTING

4 X  $\varnothing 0.69$  HOLES  
ON  $\varnothing 5.50$  B.C.

$\varnothing 1.88$  STEM

BARE STEM MOUNTING FLG

COMPANY: <b>WILSON-JONES COMPANY</b> ADDRESS: 1100 W. 11TH ST., SUITE 100 DENVER, CO 80202-1100		PHONE: (303) 733-1100 FAX: (303) 733-1101 WWW: www.wilson-jones.com		DRAWING NO.: <b>14" CS15 OS&amp;Y GEARED RESILIENT WEDGE GATE VALVE</b> TITLE: <b>LBS</b>		SHEET NO.: <b>5</b> TOTAL SHEETS: <b>8</b>		
DATE: <b>12/20/2009</b> DRAWN BY: <b>CW</b> CHECKED BY: <b>T:10</b>	DATE: <b>12/20/2009</b> DRAWN BY: <b>CW</b> CHECKED BY: <b>T:10</b>	SCALE: <b>1:1</b> UNIT: <b>IN</b>	MATERIAL: <b>CS15</b> FINISH: <b>AS FURNISHED</b>	WEIGHT: <b>12.00</b> VOLUME: <b>0.00</b>	PROJECT NO.: <b>20116 SP2</b> PROJECT NAME: <b>SOLOWORKS 20116 SP2</b>			APPROVED BY: <b>T:10</b> DATE: <b>12/20/2009</b>



<u>ITEM NO.</u>	<u>COMPONENT</u>	<u>QTY.</u>	<u>SIZE</u>	<u>STANDARD MATERIAL</u>	<u>MATERIAL OPTIONS</u>
1	BODY	1	-	DUCTILE IRON	-
2	STEM	1	-	C87610	C65500 (LOW ZINC)
3	WEDGE	1	-	EPDM/DUCTILE IRON	-
4	COILED SPRING PIN	1	1/2" X 3 1/4"	303 SS	-
5	O-RING	1	#325	EPDM	BUNA-N
6	O-RING	1	#463	EPDM	BUNA-N
7	COVER	1	-	DUCTILE IRON	-
8	OS&Y COVER SPACER	1	-	C87850	-
9	GLAND	1	-	C87850	C83600 C65500 (LOW ZINC)
10	FOLLOWER PLATE	1	-	CAST IRON	-
11	PIPE PLUG	1	1/2" - NPT	18-8 SS	316 SS
12	YOKE	1	-	CAST IRON	-
13	WASHER	12	3/4"	18-8 SS	316 SS
14	HEX NUT	12	3/4"-10	18-8 SS	316 SS
15	HEX HEAD CAPSCREW	12	3/4"-10 X 3 3/4"	18-8 SS	316 SS
16	HEX HEAD CAPSCREW	4	7/8"-9 X 4"	18-8 SS	316 SS
17	HEX NUT	4	7/8"-9	18-8 SS	316 SS
18	STUD	2	5/8"-11 X 3 1/2"	18-8 SS	316 SS
19	HEX HEAD CAPSCREW	8	5/8"-11 X 3 3/4"	18-8 SS	316 SS
20	HEX NUT	8	5/8"-11	18-8 SS	316 SS
21	HEX NUT	2	5/8"-11	18-8 SS	316 SS
22	O-RING	1	#425	BUNA-N	EPDM
23	HEX HEAD CAPSCREW	4	5/8"-11 X 2"	18-8 SS	316 SS
24	COILED SPRING PIN	1	10mm X 45mm	302/304 SS	-
25	STUFFING BOX	1	-	DUCTILE IRON	-
26	BUSHING	1	-	C87850	-
27	BEVEL GEAR	1	-	-	SPUR GEAR
28	OPERATING NUT	1	-	CAST IRON	C86700, DUCTILE IRON ** Ø 12" HANDWHEEL **
31	STEM NUT	1	-	C87850	C99500 (LOW ZINC)

- VALVES CONFORM WITH THE FOLLOWING STANDARDS
  - AWWA C515
  - NSF 61
- LOW ZINC BRASS STEM AND STEM NUT AVAILABLE
- 100% DOMESTIC FASTENERS AND ORINGS OPTIONS AVAILABLE
- *OPEN LEFT* (COUNTERCLOCKWISE) AND *OPEN RIGHT* (CLOCKWISE) OPTIONS AVAILABLE
- TURNS TO OPEN FROM FULLY CLOSED: 104
  - ±5% WITH STANDARD 2:1 GEAR
- AWWA MAXIMUM ALLOWABLE CLOSING TORQUE 250 FT-LBS
- OPTIONAL HANDWHEEL CAN BE SUBSTITUTED FOR STANDARD 2" SQUARE OP. NUTS.
  - \*\*NOTE: STANDARD HANDWHEEL SIZE LISTED OUT IN PARTS LIST.\*\*

<small>         COMPANY: <b>WATERWORKS</b>          ADDRESS: 11111 W. 111TH AVE., SUITE 100, WESTMINSTER, CO 80234          PHONE: 303.440.1111          FAX: 303.440.1112          WWW.WATERWORKS.COM       </small>		<small>         DIVISION: <b>VALVES</b>          PRODUCT: <b>14" CS15 OS&amp;Y GEARED RESILIENT WEDGE GATE VALVE</b>          MATERIAL: <b>LBS</b>          WEIGHT: <b>1100</b>          DIMENSIONS: <b>1220/2020</b>          DATE: <b>11/10</b> </small>		<small>         PROJECT: <b>T:10</b>          DRAWING NO: <b>1100</b>          SCALE: <b>1:10</b>          SHEET NO: <b>8</b>          TOTAL SHEETS: <b>8</b> </small>	
---	--	--	--	--	--