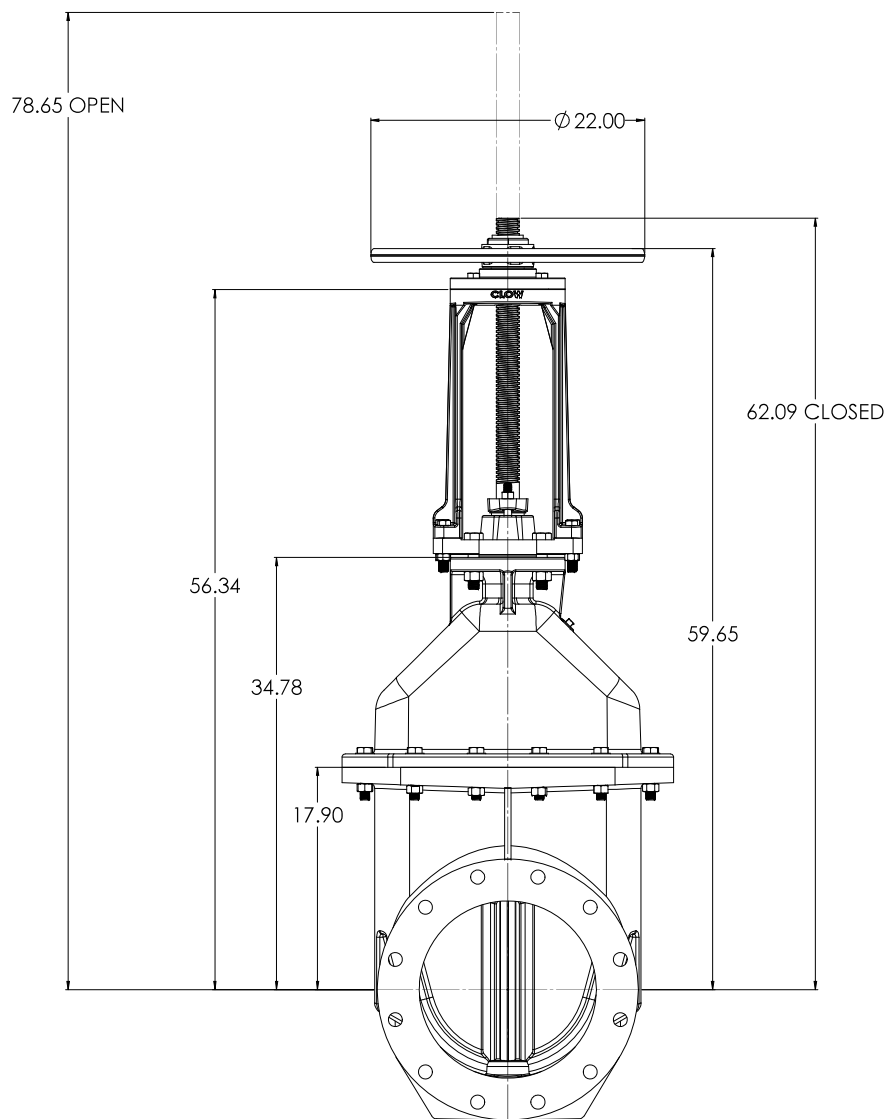




# OS&Y WITH HANDWHEEL



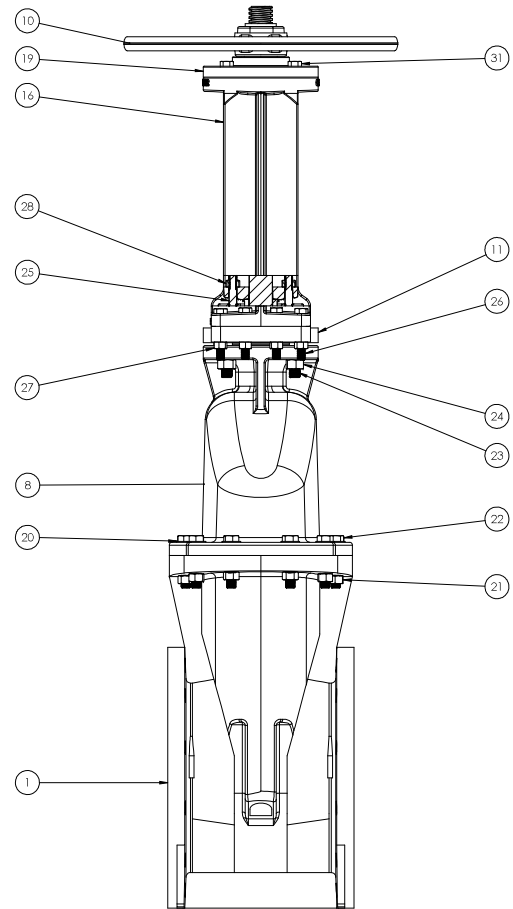
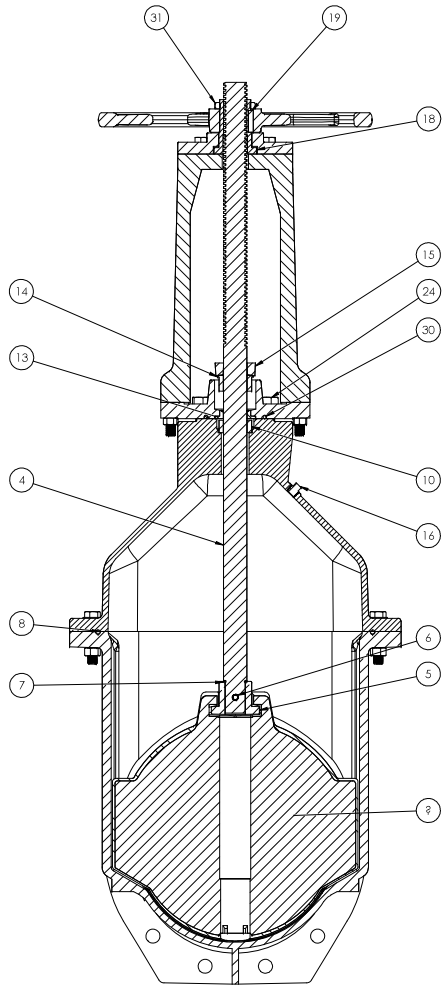
<b>COMPANY</b> CLOW VALVE COMPANY 10000 W. 10th Ave., Suite 100 Denver, CO 80202 Phone: (303) 751-1000 Fax: (303) 751-1001 Email: sales@clow.com		<b>PROJECT</b> 14" CS15 OS&Y RESILIENT WEDGE GATE VALVE		<b>SCALE</b> T:10	<b>DATE</b> 12/3/2020
<b>DESIGNED BY</b> J. [Name]	<b>CHECKED BY</b> [Name]	<b>DATE</b> 12/3/2020	<b>DATE</b> 12/3/2020		
<b>SIZE</b> 14"	<b>FACE TO FACE</b> 25.00"	<b>FACE TO FACE</b> 25.00"	<b>FACE TO FACE</b> 25.00"	<b>WEIGHT</b> 135 LBS	<b>MANUFACTURE</b> CLOW
<b>DEPTH</b> 6.00"	<b>DEPTH</b> 6.00"	<b>DEPTH</b> 6.00"	<b>DEPTH</b> 6.00"	<b>DEPTH</b> 6.00"	<b>DEPTH</b> 6.00"
<b>DRY WEIGHT</b> 135 LBS	<b>DRY WEIGHT</b> 135 LBS	<b>DRY WEIGHT</b> 135 LBS	<b>DRY WEIGHT</b> 135 LBS	<b>DRY WEIGHT</b> 135 LBS	<b>DRY WEIGHT</b> 135 LBS
<b>WET WEIGHT</b> 135 LBS	<b>WET WEIGHT</b> 135 LBS	<b>WET WEIGHT</b> 135 LBS	<b>WET WEIGHT</b> 135 LBS	<b>WET WEIGHT</b> 135 LBS	<b>WET WEIGHT</b> 135 LBS



3

6

D



<b>MANUFACTURER'S INFORMATION</b> COMPANY: LBS ADDRESS: 1000 W. 10th St., Suite 100 DENVER, CO 80202 PHONE: (303) 733-1100 FAX: (303) 733-1101 WWW: www.lbs.com		<b>DESIGNER'S INFORMATION</b> PROJECT NO.: 15012000 DRAWING NO.: 15012000-001 DATE: 12/20/2010 SCALE: 1:10 SHEET NO.: 4 TOTAL SHEETS: 6		<b>PROJECT INFORMATION</b> PROJECT NAME: 14" CS15 CS&Y RESILIENT WEDGE GATE VALVE PROJECT NO.: 15012000 DATE: 12/20/2010 SCALE: 1:10 SHEET NO.: 4 TOTAL SHEETS: 6		
<b>DESIGNER'S INFORMATION</b> NAME: J. J. ... TITLE: ... DATE: ... SCALE: ... SHEET NO.: ... TOTAL SHEETS: ...	<b>APPROVER'S INFORMATION</b> NAME: ... TITLE: ... DATE: ... SCALE: ... SHEET NO.: ... TOTAL SHEETS: ...	<b>PROJECT INFORMATION</b> PROJECT NAME: ... PROJECT NO.: ... DATE: ... SCALE: ... SHEET NO.: ... TOTAL SHEETS: ...	<b>PROJECT INFORMATION</b> PROJECT NAME: ... PROJECT NO.: ... DATE: ... SCALE: ... SHEET NO.: ... TOTAL SHEETS: ...	<b>PROJECT INFORMATION</b> PROJECT NAME: ... PROJECT NO.: ... DATE: ... SCALE: ... SHEET NO.: ... TOTAL SHEETS: ...	<b>PROJECT INFORMATION</b> PROJECT NAME: ... PROJECT NO.: ... DATE: ... SCALE: ... SHEET NO.: ... TOTAL SHEETS: ...	

<u>ITEM NO.</u>	<u>COMPONENT</u>	<u>QTY.</u>	<u>SIZE</u>	<u>STANDARD MATERIAL</u>	<u>MATERIAL OPTIONS</u>
1	BODY	1	-	DUCTILE IRON	-
2	WEDGE	1	-	EPDM/DUCTILE IRON	-
3	STEM	1	-	C86710	C65500 (LOW ZINC)
4	STEM NUT	1	-	C87850	C99500 (LOW ZINC)
5	COILED SPRING PIN	1	1/2" X 3 1/4"	302/304 SS	-
6	O-RING	1	#325	EPDM	BUNA-N
7	O-RING	1	#463	EPDM	BUNA-N
8	COVER	1	-	DUCTILE IRON	-
9	OS&Y COVER SPACER	1	-	C87850	-
10	HANDWHEEL	1	Ø 22"	CAST IRON	-
11	STUFFING BOX	1	-	DUCTILE IRON	-
12	BUSHING	1	-	C87850	-
13	GLAND	1	-	C87850	C83600, C65500 (LOW ZINC)
14	FOLLOWER PLATE	1	-	CAST IRON	-
15	PIPE PLUG	1	1/2" - NPT	18-8 SS	316 SS
16	YOKE	1	-	CAST IRON	-
17	TOP STEM NUT	1	-	C26000	-
18	KEY	1	3/8" X 1 3/4"	18-8 SS	316 SS
19	OS&Y RETAINER PLATE	1	-	CAST IRON	-
20	WASHER	12	3/4"	18-8 SS	316 SS
21	HEX NUT	12	3/4"-10	18-8 SS	316 SS
22	HEX HEAD CAPSCREW	12	3/4"-10 X 3 3/4"	18-8 SS	316 SS
23	HEX HEAD CAPSCREW	4	7/8"-9 X 4"	18-8 SS	316 SS
24	HEX NUT	4	7/8"-9	18-8 SS	316 SS
25	STUD	2	5/8"-11 X 3 1/2"	18-8 SS	316 SS
26	HEX HEAD CAPSCREW	8	5/8"-11 X 3 3/4"	18-8 SS	316 SS
27	HEX NUT	8	5/8"-11	18-8 SS	316 SS
28	HEX NUT	2	5/8"-11	18-8 SS	316 SS
29	O-RING	1	#425	EPDM	BUNA-N
30	HOLD DOWN NUT	1	-	87850	-
31	HEX HEAD CAPSCREW	4	5/8"-11 X 2"	18-8 SS	316 SS

- VALVES CONFORM WITH THE FOLLOWING STANDARDS
  - AWWA C515
  - NSF 61
- LOW ZINC BRASS STEM AND STEM NUT AVAILABLE
- 100% DOMESTIC FASTENERS AND ORINGS OPTIONS AVAILABLE
- *OPEN LEFT* (COUNTERCLOCKWISE) AND *OPEN RIGHT* (CLOCKWISE) OPTIONS AVAILABLE
- TURNS TO OPEN FROM FULLY CLOSED: 52
- AWWA MAXIMUM ALLOWABLE CLOSING TORQUE 250 FT-LBS

<small>           COMPANY: <b>MEYER ENGINEERING</b>            ADDRESS: 1100 S. 10TH ST., SUITE 100, DENVER, CO 80202            PHONE: 303.733.8800            FAX: 303.733.8801            WWW: WWW.MEYERENGINEERING.COM         </small>		<small>           PROJECT: <b>14" CS15 OS&amp;Y RESILIENT WEDGE GATE VALVE</b>            DATE: 12/2/2020            DRAWN BY: CW            CHECKED BY: T10            SCALE: 1:10         </small>		
<small>           SHEET NO. 5 OF 6            PROJECT NO. 2018-SP2         </small>			<small>           TITLED            6         </small>	<small>           5            D         </small>