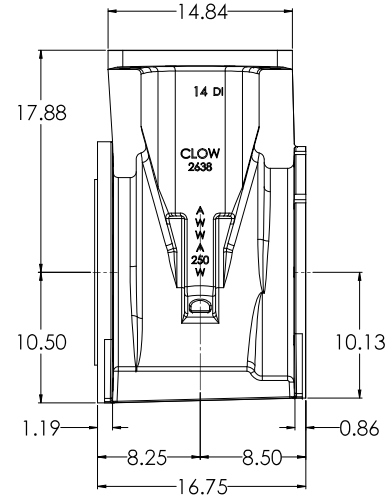
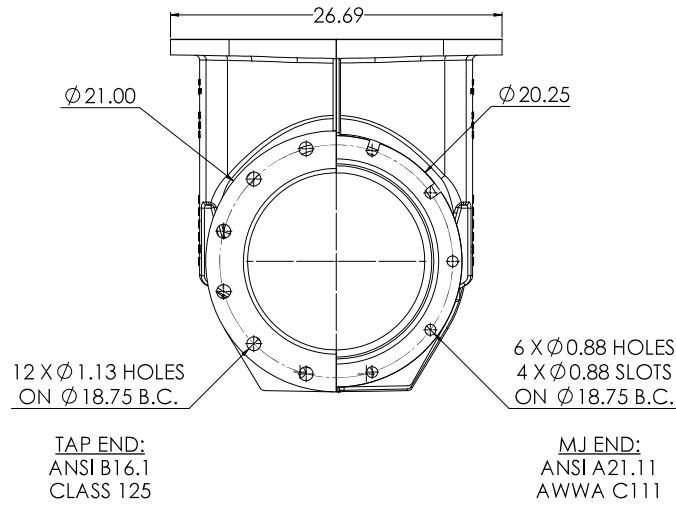
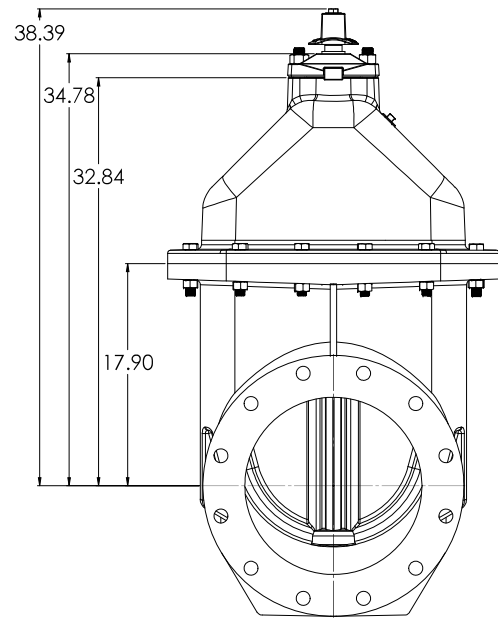


14" C515 MJ X TAP

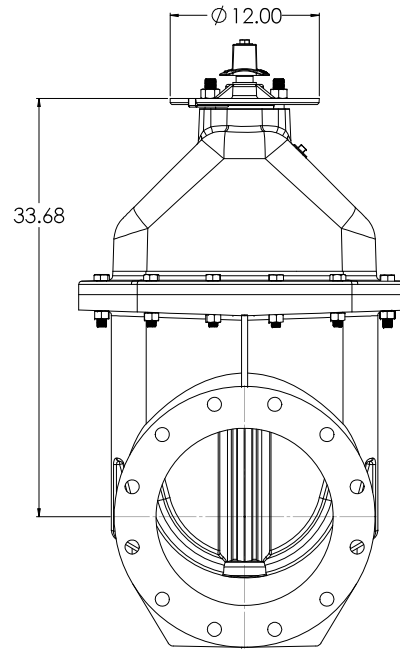


COMPANY: SWISS ADDRESS: 1100 N. 10TH ST. SUITE 100 DENVER, CO 80202 PHONE: 303.733.8800 FAX: 303.733.8801 WWW: WWW.SWISSVALVE.COM	PROJECT: 14" C515 NRS RESILIENT WEDGE GATE VALVE DRAWING NO: LBS-GATE VALVE DATE: 12/3/2020	SHEET NO: 2 TOTAL SHEETS: 6	
---	--	--	--

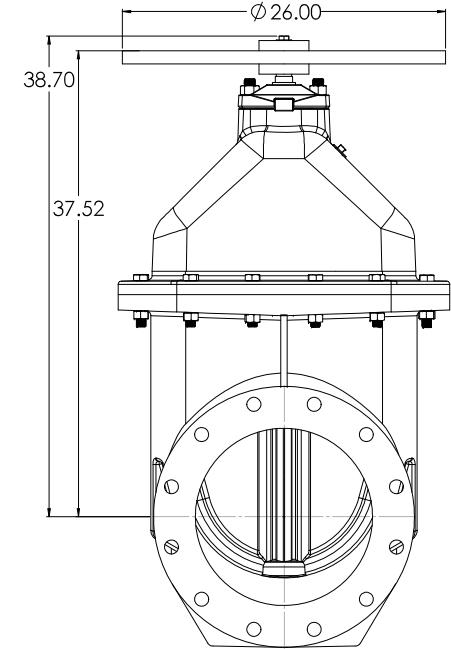
**OPERATING NUT WITH
O-RING PLATE**



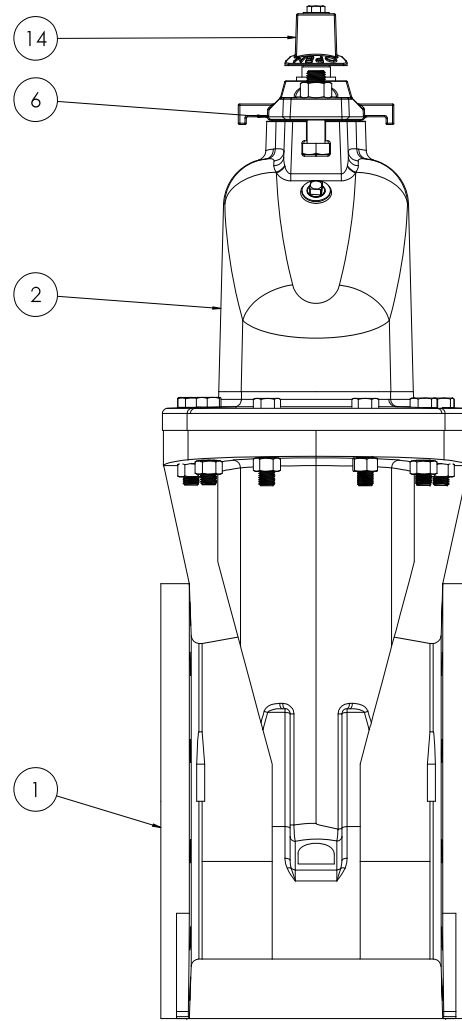
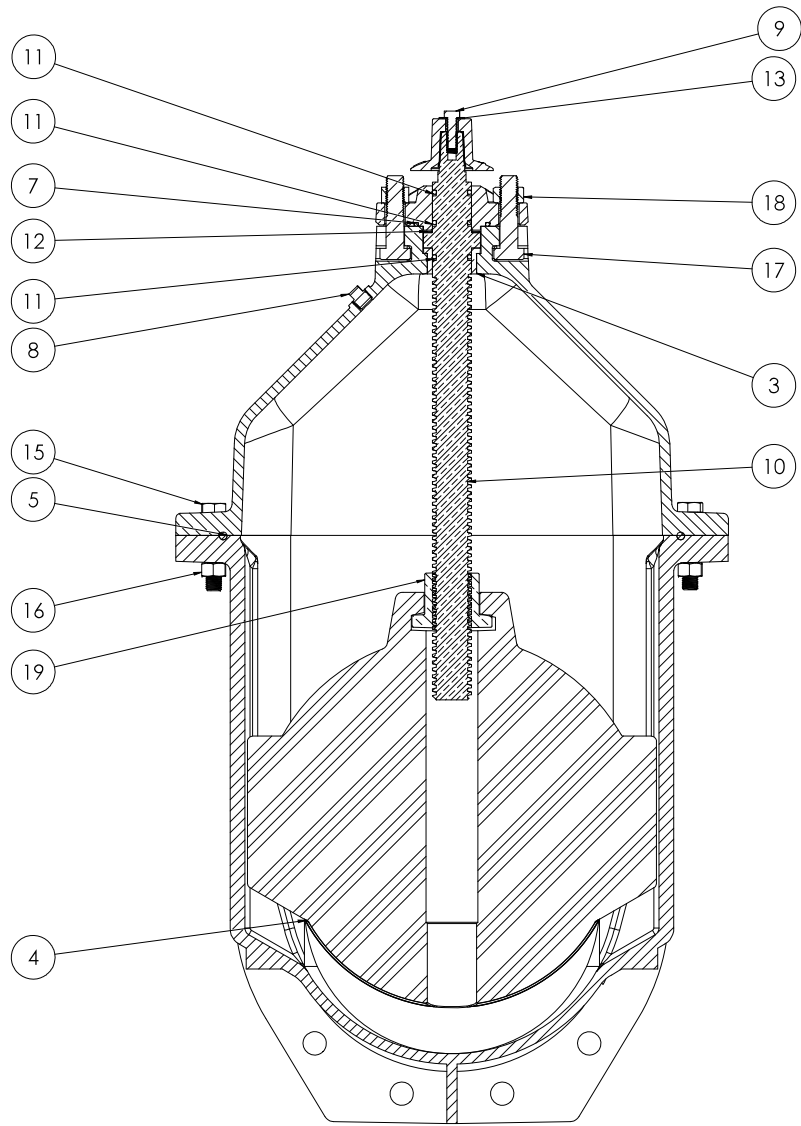
**OPERATING NUT WITH
INDICATOR POST PLATE**



**HANDWHEEL WITH
O-RING PLATE**



COMPANY 14" CS18 NRS RESILIENT WEDGE GATE VALVE		DATE 12/20/2020		SCALE T:10		PROJECT SalsWorks 2016 SP2	
DRAWN BY 11100 11100 11100 11100 11100	CHECKED BY 11100 11100 11100 11100 11100	APPROVED BY 11100 11100 11100 11100 11100	DATE 12/20/2020	WEIGHT LBS	PART NO. 11100	QUANTITY 3	SHEET NO. 6



COMPANY: SOLOWORKS ADDRESS: 10000 W. 10th Ave., Suite 100 DENVER, CO 80202 PHONE: 303.751.1000 FAX: 303.751.1001 WWW: www.soloworks.com		PROJECT: 14" CS18 NRS RESILIENT WEDGE GATE VALVE DRAWING NO: LBS_GATE VALVE DATE: 12/3/2009 SCALE: T:10		 ISO 9001:2008
DESIGNED BY: AW CHECKED BY: AW DATE: 12/3/09 DRAWN BY: AW DATE: 12/3/09	APPROVED BY: AW DATE: 12/3/09	PROJECT NO: 12/3/09 DRAWING NO: LBS_GATE VALVE DATE: 12/3/09	SCALE: T:10 SHEET NO: 6 TOTAL SHEETS: 6	 Soloworks 2010 SPZ

<u>ITEM NO.</u>	<u>COMPONENT</u>	<u>QTY.</u>	<u>SIZE</u>	<u>STANDARD MATERIAL</u>	<u>MATERIAL OPTIONS</u>
1	BODY	1	-	DUCTILE IRON	-
2	COVER	1	-	DUCTILE IRON	-
3	BUSHING	1	-	C87850	-
4	WEDGE	1	-	EPDM/DUCTILE IRON	-
5	O-RING	1	#463	EPDM	BUNA-N
6	O-RING PLATE	1	-	DUCTILE IRON	-
7	O-RING	1	#339	EPDM	BUNA-N
8	PIPE PLUG	1	1/2" - NPT	304 SS	BRASS, 316 SS, STEEL
9	HEX HEAD CAPSCREW	1	1/2"-13 X 1 1/2"	18-8 SS	316 SS
10	STEM	1	1 7/8"	C86700	C99500 (LOW ZINC), 304 SS, 316 SS
11	O-RING	3	#325	EPDM	BUNA-N
12	THRUST WASHER	1	-	NYLATRON	-
13	WASHER	1	1/2"	18-8 SS	316 SS
14	OPERATING NUT	1	-	CAST IRON	DUCTILE IRON, C86700
15	HEX HEAD CAPSCREW	12	3/4"-10 X 3 3/4"	18-8 SS	316 SS
16	HEX NUT	12	3/4"-10	18-8 SS	316 SS
17	HEX HEAD CAPSCREW	2	7/8"-9 X 3 1/2"	18-8 SS	316 SS
18	HEX NUT	2	7/8"-9	18-8 SS	316 SS
19	STEM NUT	1	-	C87850	C99500 (LOW ZINC)

- VALVES CONFORM WITH THE FOLLOWING STANDARDS
 - AWWA C515
 - NSF 61
- LOW ZINC BRASS STEM AND STEM NUT AVAILABLE
- 100% DOMESTIC FASTENERS AND ORINGS OPTIONS AVAILABLE
- *OPEN LEFT* (COUNTERCLOCKWISE) AND *OPEN RIGHT* (CLOCKWISE) OPTIONS AVAILABLE
- TURNS TO OPEN FROM FULLY CLOSED: 52
- AWWA MAXIMUM ALLOWABLE CLOSING TORQUE 750 FT-LBS
- OPTIONAL HANDWHEEL CAN BE SUBSTITUTED FOR STANDARD 2" SQUARE OP. NUTS.
 - ****NOTE: STANDARD HANDWHEEL SIZE LISTED OUT IN PARTS LIST.****

<small> COMPANY: 14" CS15 NRS RESILIENT WEDGE GATE VALVE DATE: 12/3/2020 DRAWN BY: T10 CHECKED BY: CW PROJECT: SolisWorks 2016 SP2 </small>		
<small> 14" CS15 NRS RESILIENT WEDGE GATE VALVE LBS. GATE VALVE T10 </small>	<small> 5 6 </small>	<small> D </small>