

1. FLOW MAY BE IN EITHER DIRECTION
2. VALVE SHAFT WILL MEET OR EXCEED AWWA C504 REQUIREMENTS
3. REFERENCE AWWA C504 FOR FLANGES AND DRILLING (ANSI 125)
4. OPERATOR MOUNTING FLANGE COMPLIES WITH MSS/ISO SP-101 FA16
5. 48 TURNS TO CLOSE
6. (12) 1" BOLTS ON EACH FLANGE (NO THREADED HOLES. VALVES PREDATING JUNE 2024 HAVE 4 THREADED HOLES. 1"-8 UNC, THREADED THRU)
7. OPERATED BY 2" AWWA OPERATING / WRENCH NUT
8. RATED FOR 150PSI WORKING PRESSURE

THIS DWG. AND ALL INFORMATION IS OUR PROPERTY AND SHALL NOT BE USED, COPIED, OR REPRODUCED WITHOUT WRITTEN CONSENT. DESIGN AND INVENTION RIGHTS RESERVED.

M&H VALVE COMPANY



A DIVISION OF McWANE INC.
605 WEST 23RD STREET
ANNISTON, ALABAMA 36202

BY:

CTJ

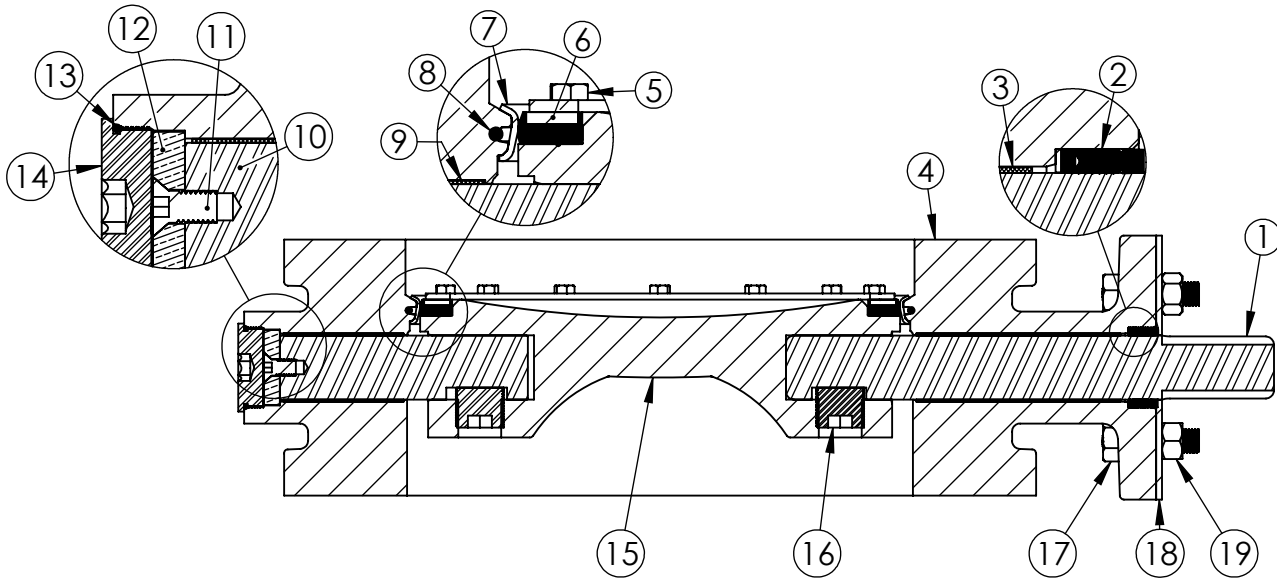
DATE:

06/26/2024

DWG

BD14IF1-M11111

14" AWWA C504 BUTTERFLY VALVE
FLANGED ENDS - CL150
BURIED OPERATOR - OPEN LEFT



NOTES:

1. (*) SEAL PLATE PROVIDED WITH ALL BARESTEM VALVES, AND USED WITH ALL PURCHASED OPERATORS
2. OPERATOR FLANGE COMPLIES WITH MSS/ISO SP-101 FA16
3. OPERATOR SHAFTS OF VALVES PURCHASED WITHOUT M&H OPERATORS COMPLY WITH MSS/ISO SP-101 FA12 SHAFT LENGTH & KEYWAY ENGAGENTS
4. (**) SEAL PLATE HEX NUTS ARE ONLY SUPPLIED WITH BARESTEM VALVES, TO RETAIN THE SEAL PLATE AND V-RING PACKING. THE HEX BOLTS ARE USED FOR THIS, BUT ARE ALSO SUPPLIED WITH OPERATORS.

ITEM	DESCRIPTION	MATERIAL
1	OPERATOR SHAFT	304 STAINLESS STEEL, ASTM A276
2	V-RING PACKING	EPDM & BUNA-N
3	UPPER JOURNAL BEARING	NYLATRON
4	BUTTERFLY VALVE BODY	DUCTILE IRON, ASTM A-536
5	VANE RING HEXHEAD CAP SCREWS	304 STAINLESS STEEL
6	VANE SEAT RING	EPDM W/ STAINLESS STEEL INSERT
7	BODY SEAT RING	316 STAINLESS STEEL
8	BODY O-RING	EPDM
9	LOWER JOURNAL BEARING	NYLATRON
10	THRUST SHAFT	304 STAINLESS STEEL, ASTM A276
11	THRUST BEARING FLAT HEAD	304 STAINLESS STEEL
12	THRUST BEARING	BRONZE
13	BODY END PLUG	STEEL
14	BODY END PLUG O-RING	EPDM
15	VANE	DUCTILE IRON, ASTM A-536
6	VANE SHAFT TORGE PLUG	304 STAINLESS STEEL
17	SEAL PLATE NUT **	304 STAINLESS STEEL
18	SEAL PLATE *	STEEL
19	SEAL PLATE BOLT	304 STAINLESS STEEL

THIS DWG. AND ALL INFORMATION IS OUR PROPERTY AND SHALL NOT BE USED, COPIED, OR REPRODUCED WITHOUT WRITTEN CONSENT. DESIGN AND INVENTION RIGHTS RESERVED.

M&H VALVE COMPANY

BY:

CTJ

DATE:

03/21/2024

DWG

BBBIF1-1111

14"-24" AWWA C504 C150 BUTTERFLY VALVE
ISO STYLE BODY SUB-ASM MATERIAL LIST



A DIVISION OF McWANE INC.
605 WEST 23RD STREET
ANNISTON, ALABAMA 36202