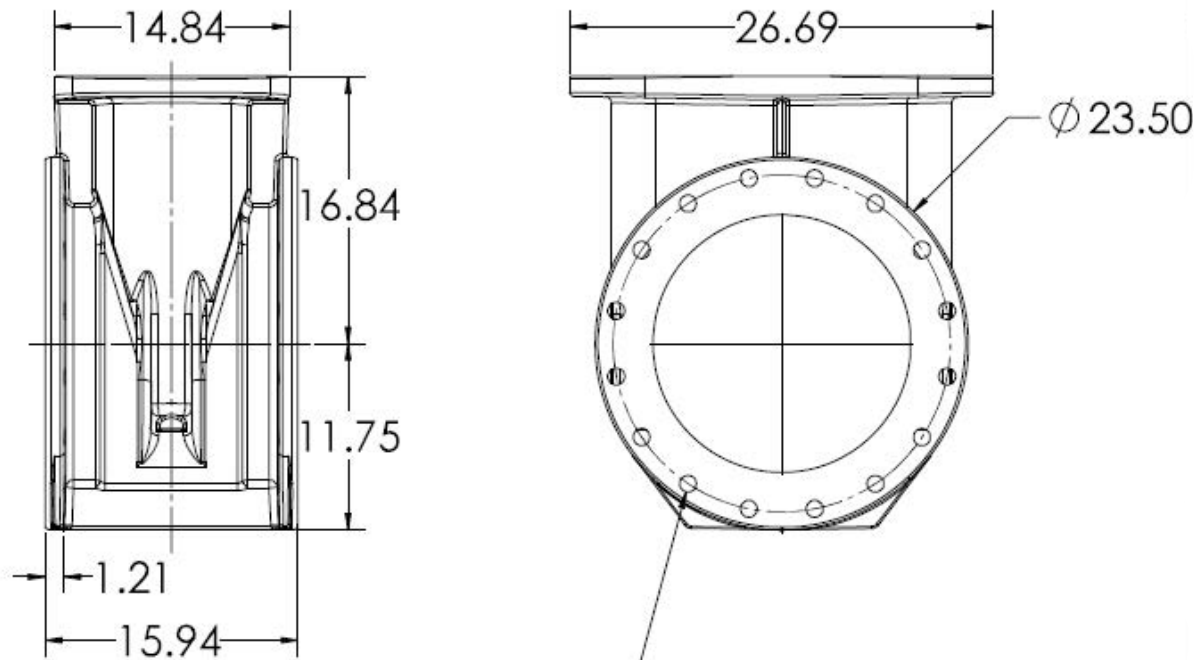


16" C515 FLG X FLG



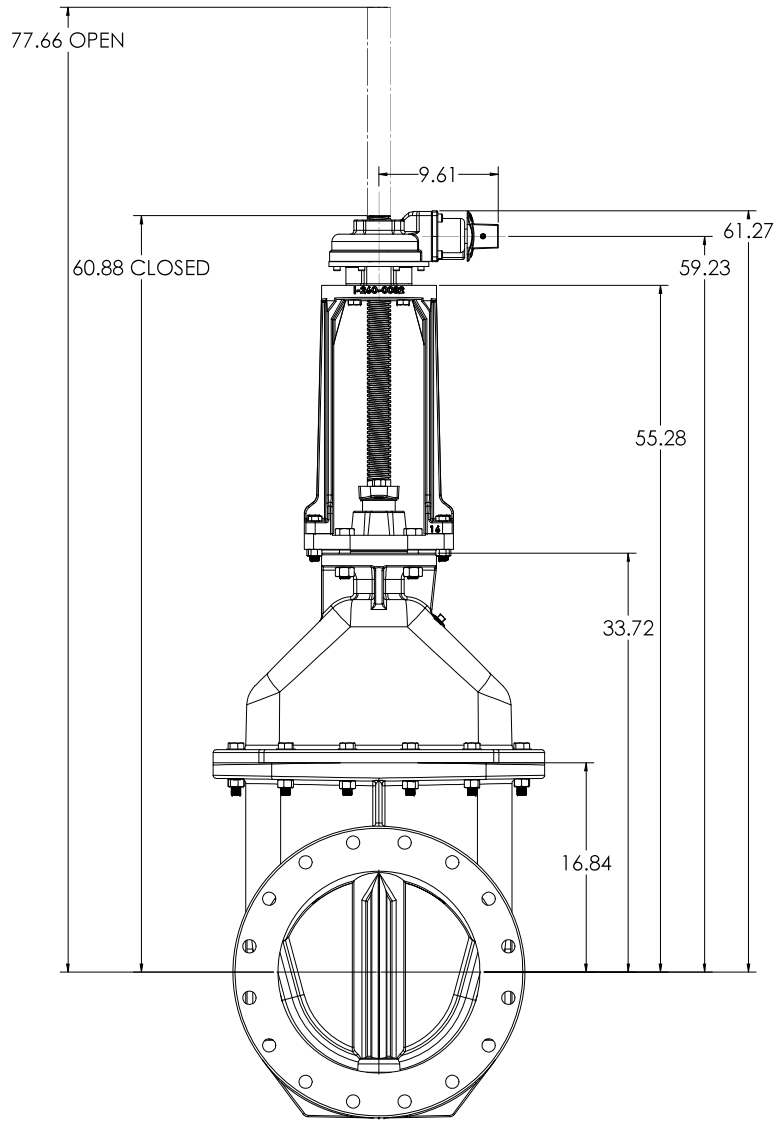
16 X ϕ 1.06 HOLES
ON ϕ 21.25 B.C.

FLG END:
ANSI B16.1
CLASS 125

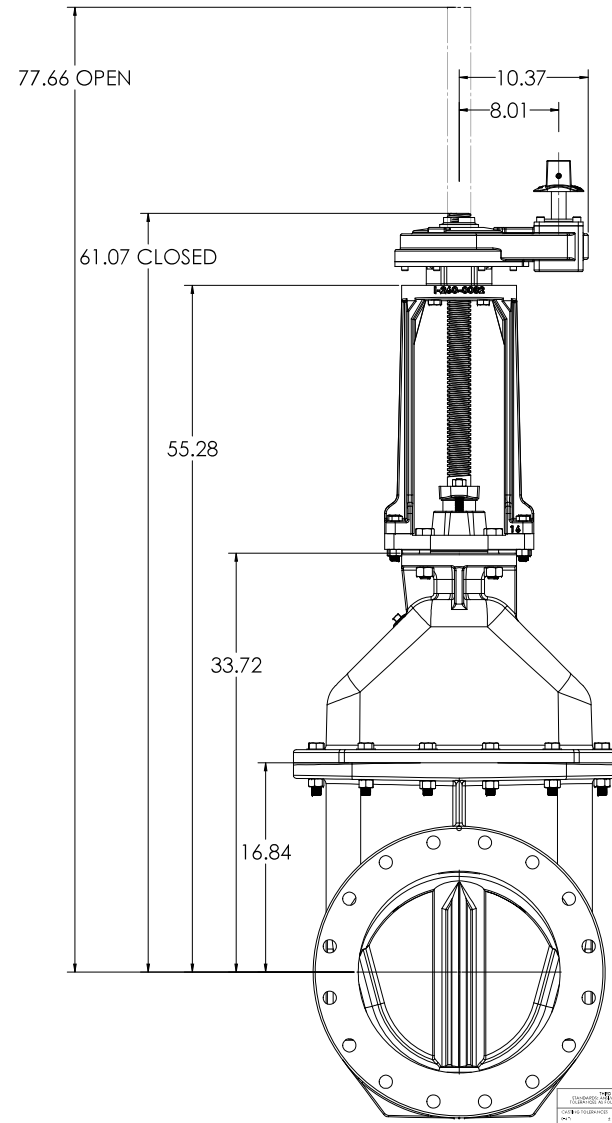
OTHER END CONNECTIONS ARE AVAILABLE UPON REQUEST.

DESIGNED BY M. J. M. / DATE 12/2/2020 CHECKED BY J. P. / DATE 12/2/2020		REVISED BY / DATE REVISIONS		PROJECT 16" C515 OS&Y GEARED RESILIENT WEDGE GATE VALVE		
COMPANY / ADDRESS 16" C515 OS&Y GEARED RESILIENT WEDGE GATE VALVE		SCALE 1:8		DATE 12/2/2020		

BEVEL GEAR WITH OPERATING NUT

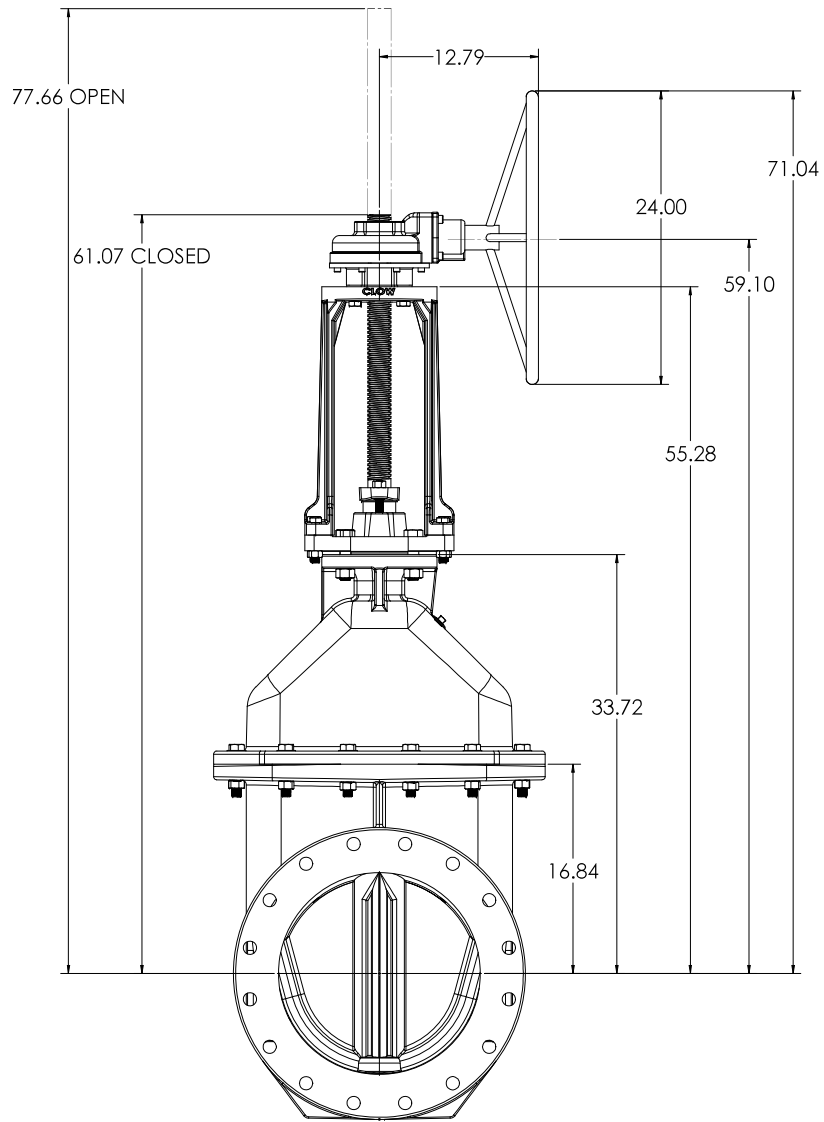


SPUR GEAR WITH OPERATING NUT

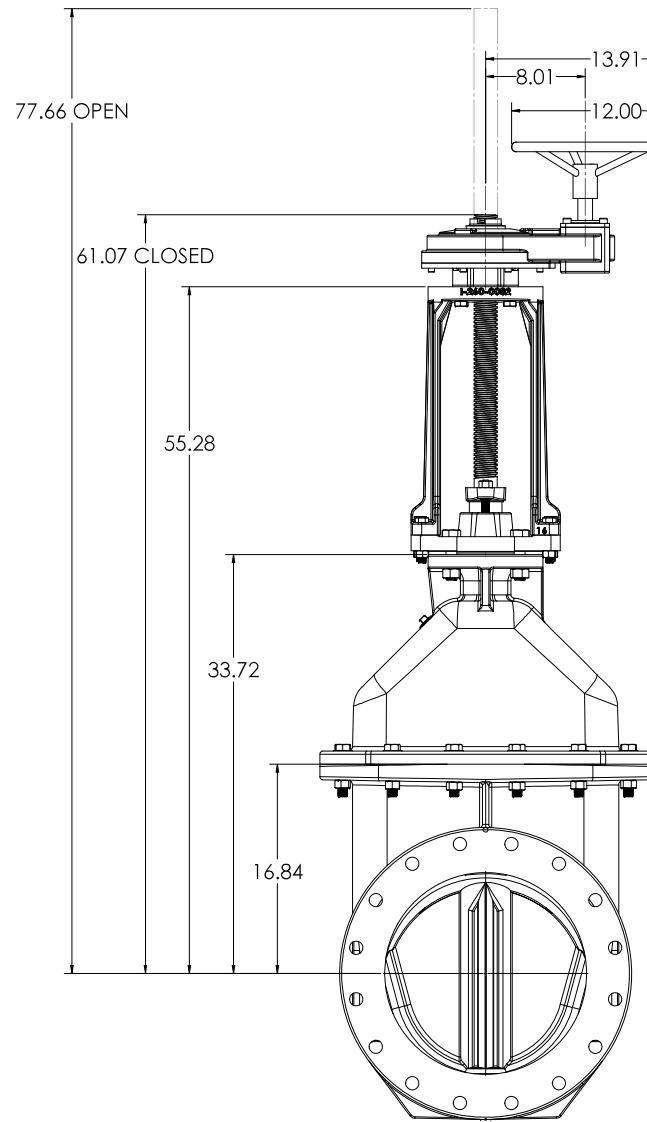


COMPANY: SOLOWORKS ADDRESS: 1324/2020B CITY: CANTON, OHIO 44705 PHONE: 330.933.9333 FAX: 330.933.9334 WWW: www.soloworks.com	PROJECT: 16" CS15 OS&Y GEARED RESILIENT WEDGE GATE VALVE LBS: 1:5 DATE: 12/4/2020	SHEET: 2 TOTAL SHEETS: 7 DRAWN BY: D
--	--	---

BEVEL GEAR WITH HANDWHEEL

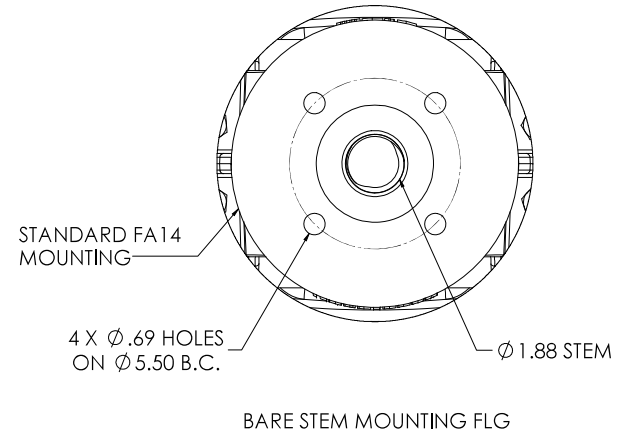
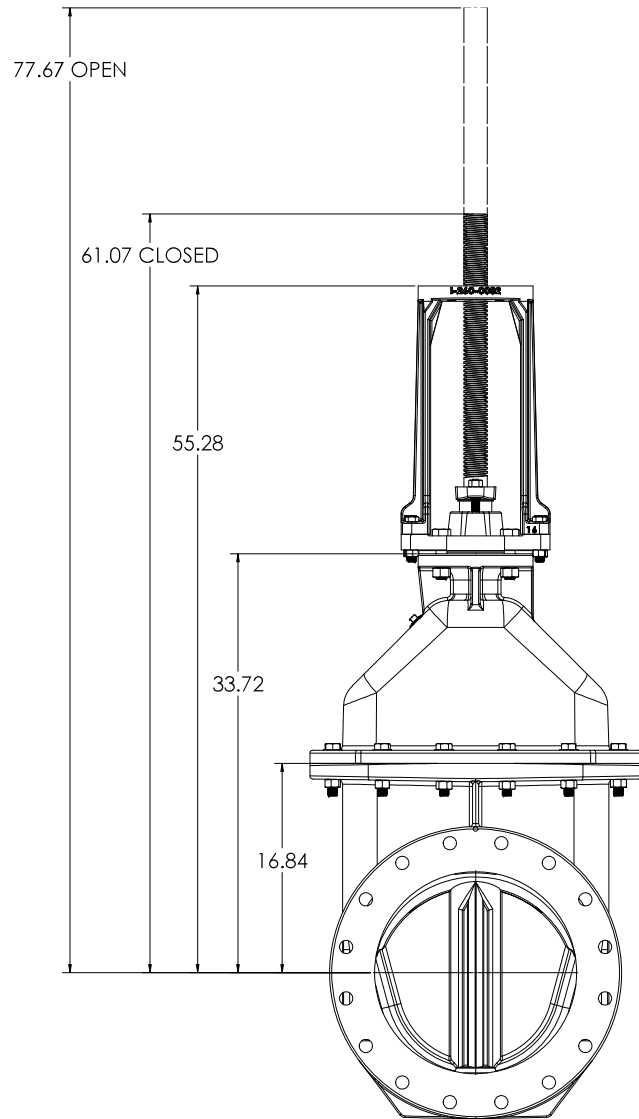


SPUR GEAR WITH HANDWHEEL

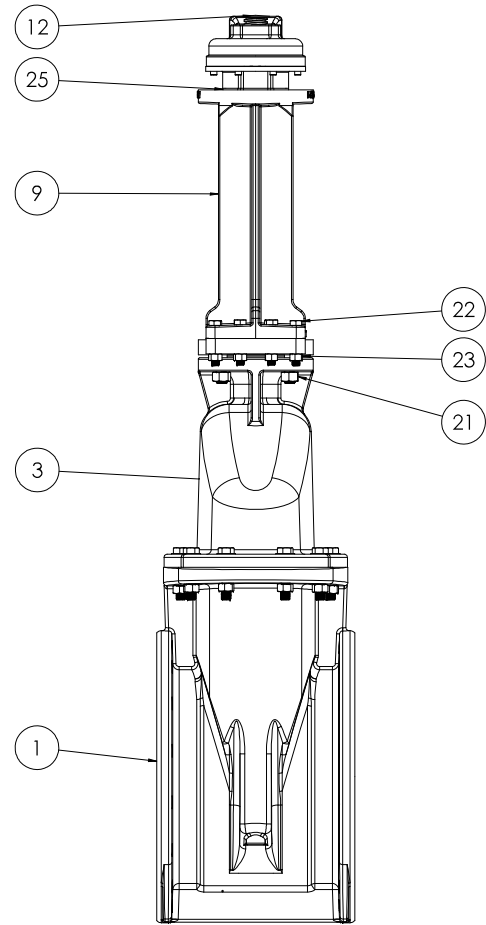
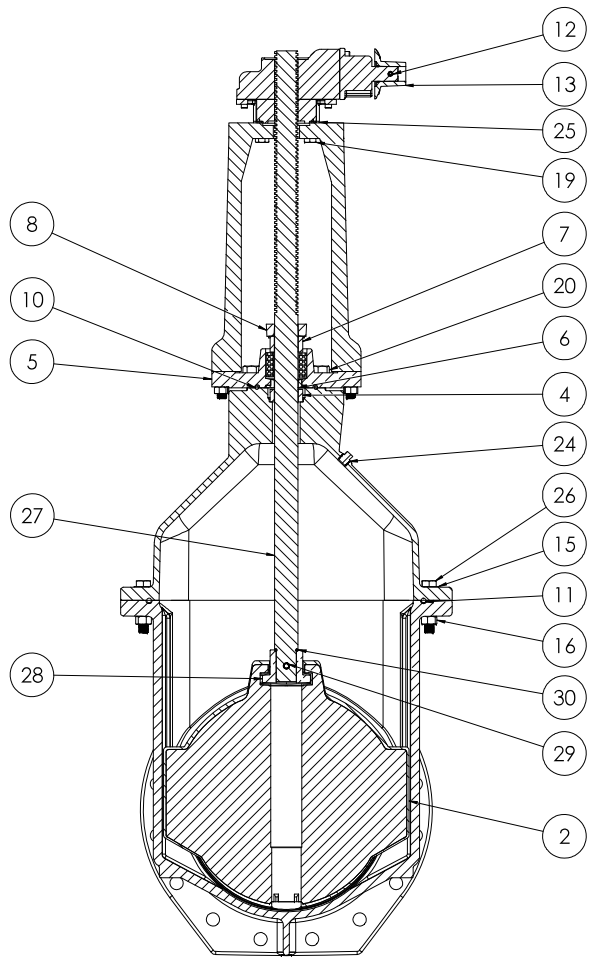


REVISED DATE: 12/4/2020 BY: [Signature] CHECKED: [Signature]		16" CS15 OS&Y GEARED RESILIENT WEDGE GATE VALVE LBS.		3 7	
DWG NO: 124/2020	SCALE: 1:5	SHEET NO: 7	TOTAL SHEETS: 7	PROJECT NO:	DATE: 12/4/2020

BARE STEM



WEDGEMOUNT 16" CS15 OS&Y GEARED RESILIENT WEDGE GATE VALVE		16" CS15 OS&Y GEARED RESILIENT WEDGE GATE VALVE			
DATE: 12/14/2009 DWG NO: 12142 REV: 01 DESIGNED BY: JRM CHECKED BY: JRM APPROVED BY: JRM	PROJECT NO: 12142 PROJECT NAME: 16" CS15 OS&Y GEARED RESILIENT WEDGE GATE VALVE	MATERIAL: LBS WEIGHT: 150 LBS DIMENSIONS: 16"	SCALE: T:5 SHEET NO: 7	DRAWN BY: JRM CHECKED BY: JRM APPROVED BY: JRM	4 7 D



16" CS15 CS&Y GEARED RESILIENT WEDGE GATE VALVE 16" CS15 CS&Y GEARED RESILIENT WEDGE GATE VALVE		16" CS15 CS&Y GEARED RESILIENT WEDGE GATE VALVE 16" CS15 CS&Y GEARED RESILIENT WEDGE GATE VALVE		
DATE: 12/1/2020 DWG NO: 1274/2020 REV: 1 DESIGNED BY: [Name] CHECKED BY: [Name]	PROJECT NO: [Number] PROJECT NAME: [Name] CLIENT: [Name]	SCALE: 1:5 SHEET NO: 7 TOTAL SHEETS: 7	MANUFACTURED BY: [Name] MATERIAL: [Material] WEIGHT: [Weight]	DRAWN BY: [Name] CHECKED BY: [Name]

ITEM NO.	COMPONENT	QTY.	SIZE	STANDARD MATERIAL	MATERIAL OPTIONS
1	BODY	1	-	DUCTILE IRON	-
2	WEDGE	1	-	EPDM/DUCTILE IRON	-
3	COVER	1	-	DUCTILE IRON	-
4	SPACER	1	-	C87850	-
5	STUFFING BOX	1	-	DUCTILE IRON	-
6	BUSHING	1	-	C87850	-
7	GLAND	1	-	C87850	-
8	FOLLOWER PLATE	1	-	CAST IRON	-
9	YOKE	1	-	DUCTILE IRON	-
10	O-RING	1	#425	EPDM	BUNA-N
11	O-RING	1	#463	EPDM	BUNA-N
12	BEVEL GEAR	1	-	-	SPUR GEAR
13	OPERATING NUT	1	-	CAST IRON	DUCTILE IRON, C86700, ** ϕ 12" HW**, ** ϕ 24" HW**
14	COILED SPRING PIN	1	10MM X 45MM	302/304 SS	-
15	WASHER	12	3/4"	18-8 SS	316 SS
16	HEX NUT	12	3/4"-10	18-8 SS	316 SS
17	THREADED STUD	2	5/8"-11 X 3 1/2"	18-8 SS	316 SS
18	HEX NUT	2	5/8"-11	18-8 SS	316 SS
19	HEX HEAD CAP SCREW	4	5/8"-11 X 2"	18-8 SS	316 SS
20	HEX HEAD CAP SCREW	4	7/8"-9 X 3 1/2"	18-8 SS	316 SS
21	HEX NUT	4	7/8"-9	18-8 SS	316 SS
22	HEX HEAD CAP SCREW	8	5/8"-11 X 3 1/4"	18-8 SS	316 SS
23	HEX NUT	8	5/8"-11	18-8 SS	316 SS
24	PLUG	1	1/2" NPT	18-8 SS	316 SS
25	GASKET	1	-	EPDM	BUNA-N
26	HEX HEAD CAP SCREW	12	3/4"-10 X 3 3/4"	18-8 SS	316 SS
27	STEM	1	-	C65500 (LOW ZINC)	304 SS, 316 SS
28	STEM NUT	1	-	C87850	C87610 (LOW ZINC)
29	COILED SPRING PIN	1	1/2" X 3 1/4"	303 SS	-
30	O-RING	1	#325	EPDM	BUNA-N

- VALVES CONFORM WITH FOLLOWING STANDARDS
 - AWWA C515
 - NSF 61
- LOW ZINC BRASS STEM AND STEM NUT AVAILABLE
- 100% DOMESTIC FASTENER AND O-RING OPTIONS AVAILABLE
- OPEN LEFT (COUNTERCLOCKWISE) AND OPEN RIGHT (CLOCKWISE) OPTIONS AVAILABLE
- TURNS TO OPEN FROM FULLY CLOSED: 104
 - +/- 5% WITH STANDARD 2:1 BEVEL OR SPUR GEAR
- AWWA MAXIMUM ALLOWABLE CLOSING TORQUE 250 FT-LBS
- OPTIONAL HANDWHEEL CAN BE SUBSTITUTED FOR STANDARD 2" SQUARE OP NUTS
 - **NOTE: STANDARD HANDWHEEL SIZE CALLED OUT IN PARTS LIST**

16" CS15 OS&Y GEARED RESILIENT WEDGE GATE VALVE LBS.		1:5 12/2/2020 6 7		
DATE: 12/2/2020 TIME: 10:00 AM BY: J. B. BROWN	PROJECT: 16" CS15 OS&Y GEARED RESILIENT WEDGE GATE VALVE LBS.	SCALE: 1:5 SHEET: 6 TOTAL SHEETS: 7	DRAWN BY: J. B. BROWN CHECKED BY: J. B. BROWN APPROVED BY: J. B. BROWN	MHI MHI VALVE COMPANY 6 7