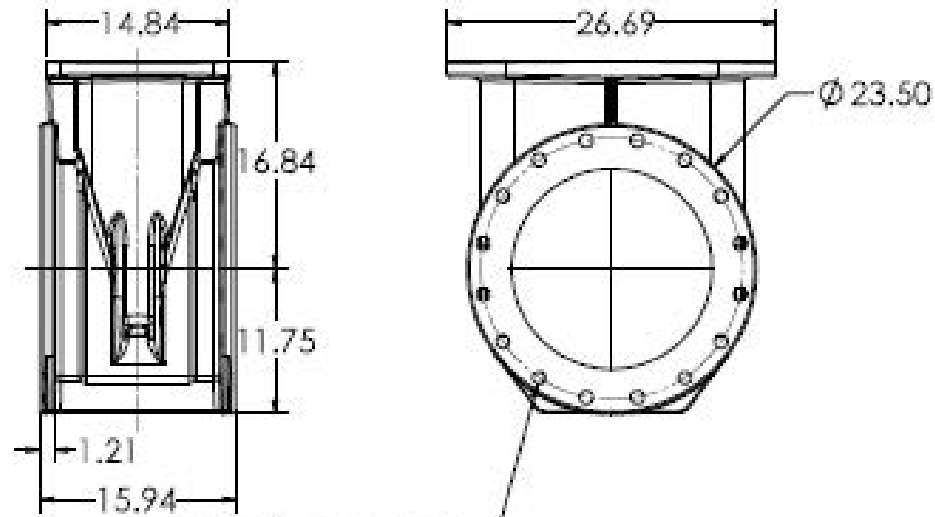


16" C515 FLG X FLG



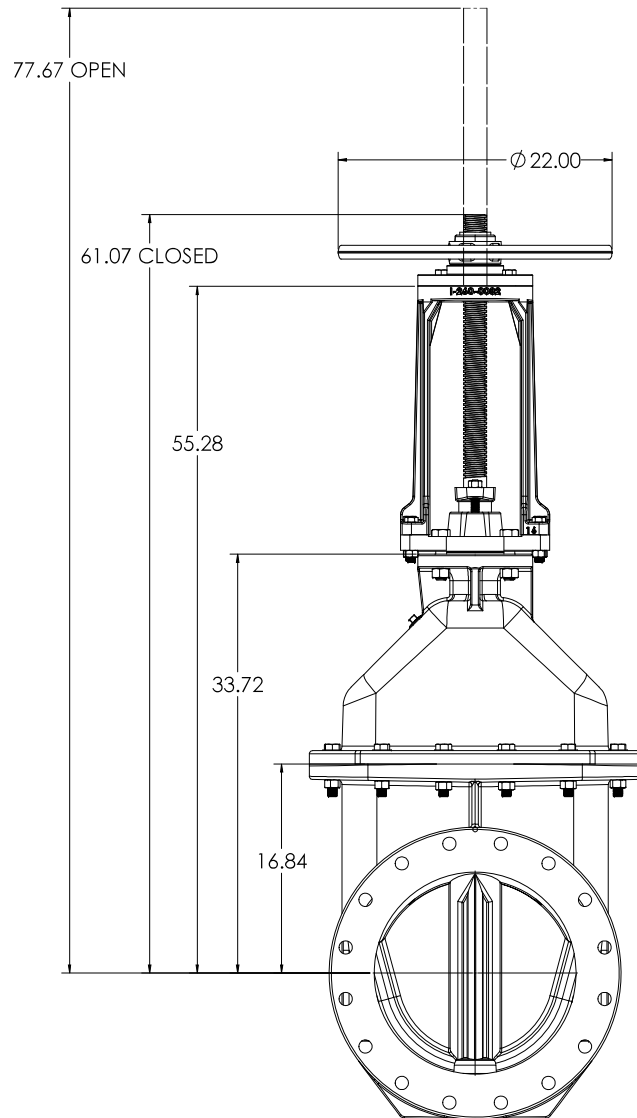
16 X Ø 1.06 HOLES
ON Ø 21.25 B.C.

FLG END:
ANSI B16.1
CLASS 125

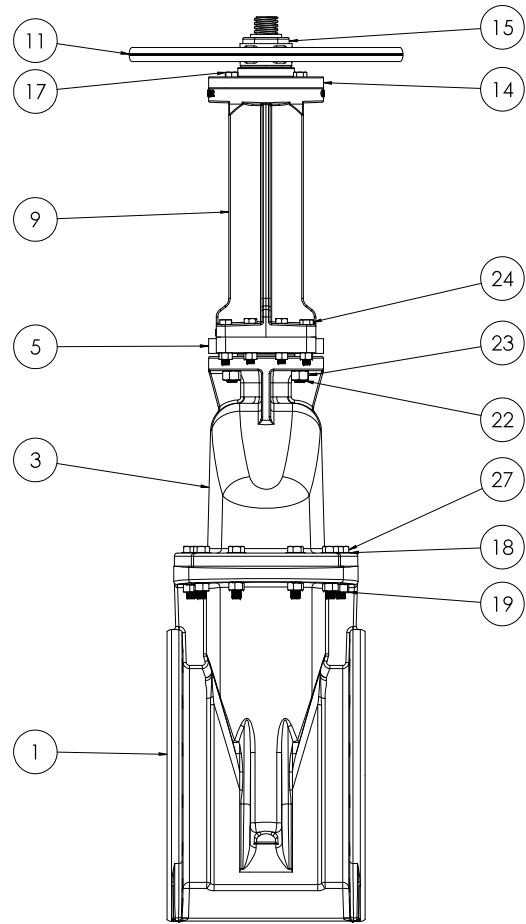
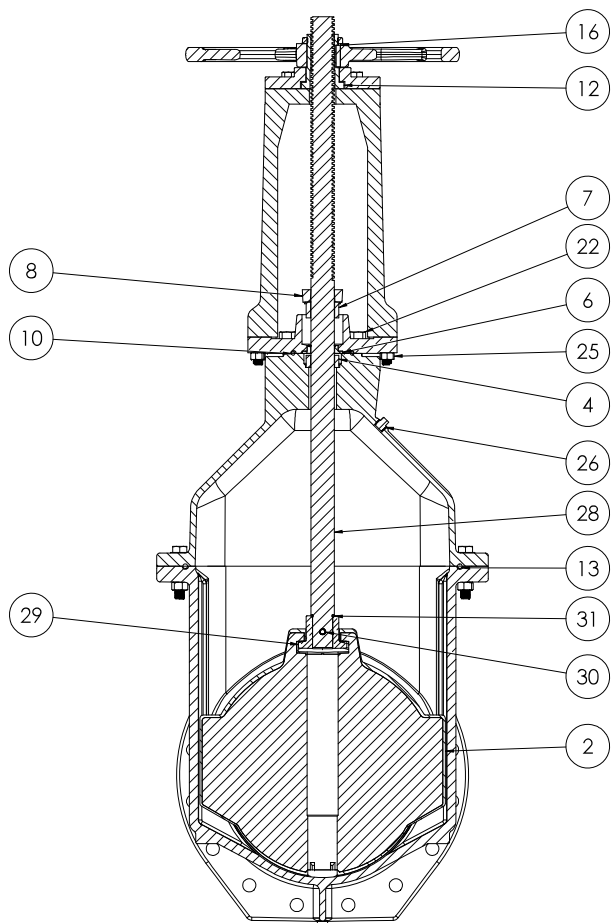
OTHER END CONNECTIONS ARE AVIALABLE UPON REQUEST.

16" C515 FLG X FLG <small>UNLESS OTHERWISE SPECIFIED, ALL DIMENSIONS ARE IN INCHES AND DECIMALS THEREOF.</small>		<small>PROPERTY OF OS&Y CORPORATION 12200 W. 12TH AVENUE, DENVER, CO 80202 OS&Y CORPORATION 12200 W. 12TH AVENUE, DENVER, CO 80202</small>		<small>DATE</small> 12/4/2020	<small>REVISED</small> 1.8	<small>SCALE</small> 1:1	<small>PROJECT</small> 16" C515 OS&Y RESILIENT WEDGE GATE VALVE	<small>WEIGHT</small> LBS.	<small>UNIT</small> D
<small>DATE</small> 12/4/2020	<small>REVISED</small> 1.8	<small>SCALE</small> 1:1	<small>PROJECT</small> 16" C515 OS&Y RESILIENT WEDGE GATE VALVE	<small>WEIGHT</small> LBS.	<small>UNIT</small> D	<small>CLASS</small> CLASS 125	<small>VALVE</small> GATE VALVE	<small>SIZE</small> 16"	<small>TYPE</small> CW

OS&Y HANDWHEEL



COMPANY: MECHANICAL ENGINEERING ADDRESS: 12345 INDUSTRIAL BLVD., SUITE 100, CLEVELAND, OH 44130 PHONE: (216) 555-1234 FAX: (216) 555-5678 WWW: WWW.MECHANICAL-ENGINEERING.COM		PROJECT NO.: 12345 DRAWING NO.: 12345-001 SHEET NO.: 2 OF 5		
DATE: 12/12/2020 DRAWN BY: J. SMITH CHECKED BY: M. JONES APPROVED BY: R. BROWN	PROJECT: 16" CS15 OS&Y RESILIENT WEDGE GATE VALVE SCALE: LBS MATERIAL: 150# WEIGHT: 1200 LBS	PROJECT: 16" CS15 OS&Y RESILIENT WEDGE GATE VALVE SCALE: LBS MATERIAL: 150# WEIGHT: 1200 LBS	PROJECT: 16" CS15 OS&Y RESILIENT WEDGE GATE VALVE SCALE: LBS MATERIAL: 150# WEIGHT: 1200 LBS	



16" CS15 CS&Y RESILIENT WEDGE GATE VALVE		16" CS15 CS&Y RESILIENT WEDGE GATE VALVE		16" CS15 CS&Y RESILIENT WEDGE GATE VALVE	
DATE: 12/24/2020 TIME: 10:00 AM USER: CW	PROJECT: 1224/2020	SCALE: 1:5	SHEET: 3	TOTAL SHEETS: 5	DRAWN BY: CW

<u>ITEM NO.</u>	<u>COMPONENT</u>	<u>QTY.</u>	<u>SIZE</u>	<u>STANDARD MATERIAL</u>	<u>MATERIAL OPTIONS</u>
1	BODY	1	-	DUCTILE IRON	-
2	WEDGE	1	-	EPDM/DUCTILE IRON	-
3	COVER	1	-	DUCTILE IRON	-
4	SPACER	1	-	C87850	-
5	STUFFING BOX	1	-	DUCTILE IRON	-
6	BUSHING	1	-	C87850	-
7	GLAND	1	-	C87850	-
8	FOLLOWER PLATE	1	-	CAST IRON	-
9	YOKE	1	-	DUCTILE IRON	-
10	O-RING	1	#425	EPDM	BUNA-N
11	HANDWHEEL	1	Ø 22"	CAST IRON	-
12	TOP STEM NUT	1	-	C86700	C99400 (LOW ZINC)
13	O-RING	1	#463	EPDM	BUNA-N
14	OS&Y RETAINER PLATE	1	-	CAST IRON	-
15	HOLD DOWN NUT	1	-	C87850	-
16	STEM KEY	1	3/8" X 1 3/4"	18-8 SS	316 SS
17	HEX HEAD CAP SCREW	4	5/8"-11 X 2"	18-8 SS	316 SS
18	WASHER	12	3/4"	18-8 SS	316 SS
19	HEX NUT	12	3/4"-10	18-8 SS	316 SS
20	THREADED STUD	2	5/8"-11 X 3 1/2"	18-8 SS	316 SS
21	HEX NUT	2	5/8"-11	18-8 SS	316 SS
22	HEX HEAD CAP SCREW	5	7/8"-9 X 3 1/2"	18-8 SS	316 SS
23	HEX NUT	4	7/8"-9	18-8 SS	316 SS
24	HEX HEAD CAP SCREW	8	5/8"-11 X 3 1/4"	18-8 SS	316 SS
25	HEX NUT	8	5/8"-11	18-8 SS	316 SS
26	PLUG	1	1/2" NPT	18-8 SS	316 SS
27	HEX HEAD CAP SCREW	12	3/4"-10 X 3 3/4"	18-8 SS	316 SS
28	STEM	1	-	C65500 (LOW ZINC)	304 SS, 316 SS
29	STEM NUT	1	-	C87850	C87610 (LOW ZINC)
30	COILED SPRING PIN	1	1/2" X 3 1/4"	303 SS	-
31	O-RING	1	#325	EPDM	BUNA-N

- VALVES CONFORM WITH THE FOLLOWING STANDARDS
 - AWWA C515
 - NSF 61
- LOW ZINC BRASS STEM AND STEM NUT AVAILABLE
- 100% DOMESTIC FASTENERS AND ORINGS OPTIONS AVAILABLE
- OPEN LEFT (COUNTERCLOCKWISE) AND OPEN RIGHT (CLOCKWISE) OPTIONS AVAILABLE
- TURNS TO OPEN FROM FULLY CLOSED: 52
- AWWA MAXIMUM ALLOWABLE CLOSING TORQUE 750 FT-LBS

<small> COMPANY: 16" CS15 OS&Y RESILIENT WEDGE GATE VALVE PROJECT: 16" CS15 OS&Y RESILIENT WEDGE GATE VALVE DATE: 12/4/2020 DRAWN BY: CW CHECKED BY: 12/4/2020 SCALE: 1:5 SHEET NO: 5 </small>		
---	--	---