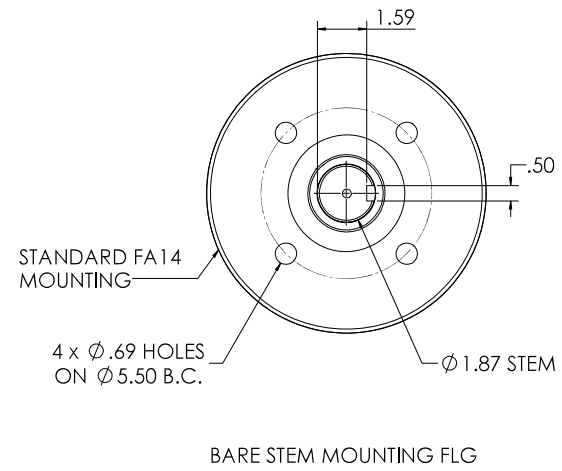
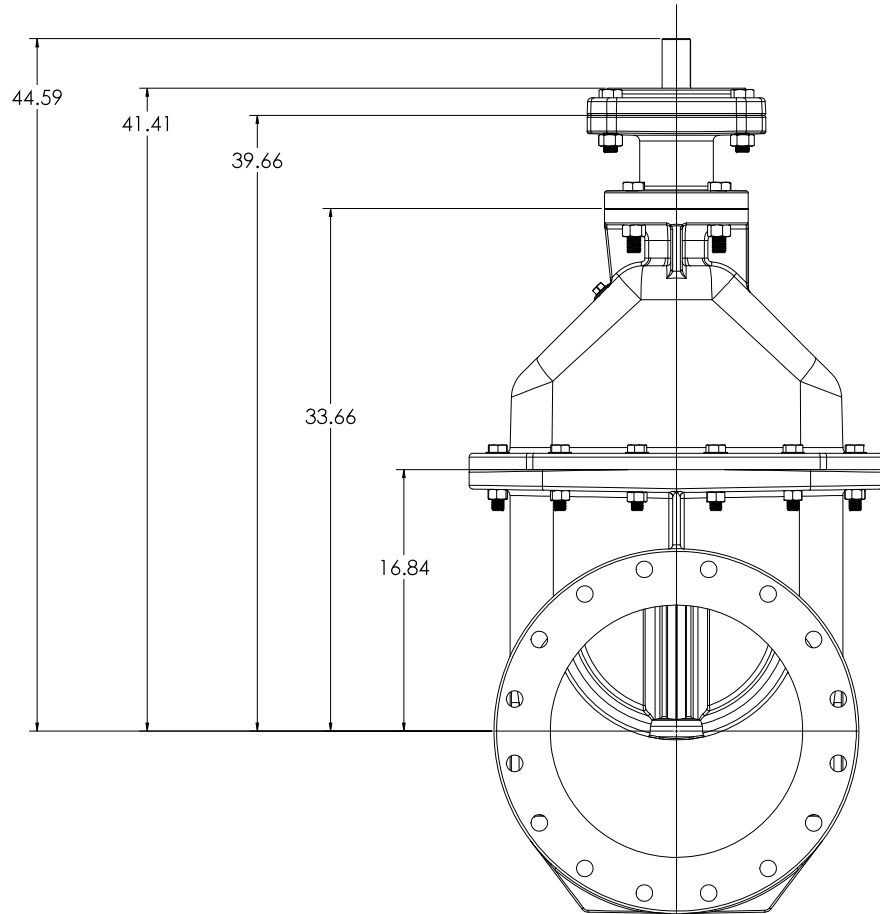




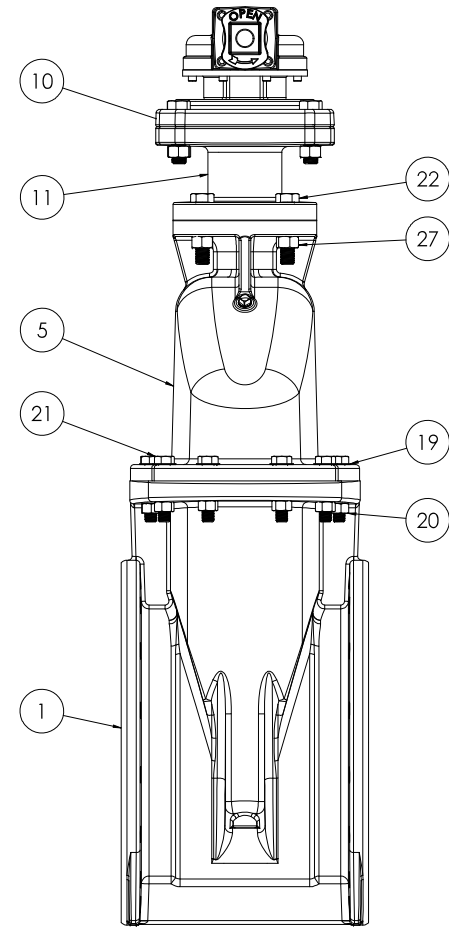
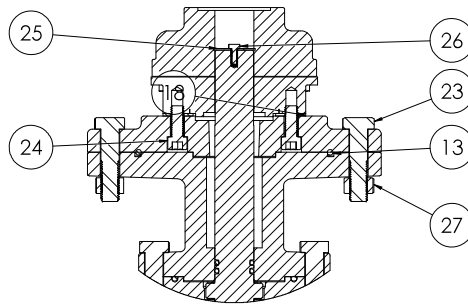
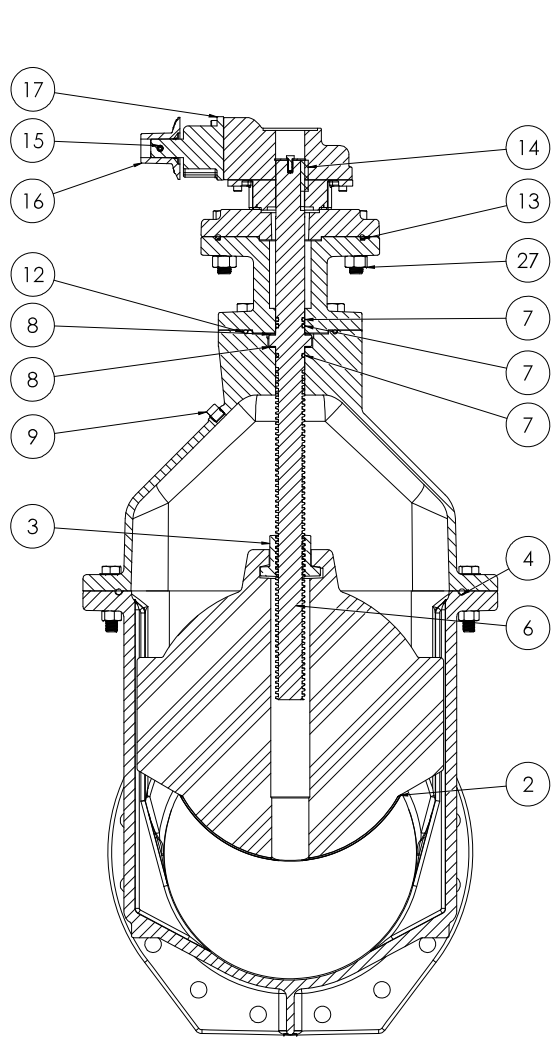




# BARE STEM



<b>REVISED</b> DATE: 12/28/2020 BY: CW		<b>16" C515 NRS GEARED RESILIENT WEDGE GATE VALVE</b> LBS. T:4		 M&M VALVE COMPANY 4 7
DATE: 12/28/2020 BY: CW	DATE: 12/28/2020 BY: CW	DATE: 12/28/2020 BY: CW	DATE: 12/28/2020 BY: CW	DATE: 12/28/2020 BY: CW



COMPANY: <b>SOLEWORKS</b> ADDRESS: 12345 INDUSTRIAL BLVD. CITY: CHICAGO, IL 60601 PHONE: (773) 555-1234 FAX: (773) 555-5678 WEBSITE: WWW.SOLEWORKS.COM		PROJECT: <b>16" CS18 NRS GEARED RESILIENT WEDGE GATE VALVE</b> DRAWING NO: <b>12345678</b> DATE: <b>12/31/2020</b>		SCALE: <b>T:4</b> SHEET NO: <b>7</b> TOTAL SHEETS: <b>7</b>	
DESIGNED BY: <b>JW</b> CHECKED BY: <b>MS</b> APPROVED BY: <b>MS</b>	DATE: <b>12/31/2020</b> TIME: <b>10:00 AM</b>	MATERIALS: <b>CS18 NRS</b> WEIGHT: <b>150 LBS</b>	MANUFACTURER: <b>SOLEWORKS</b> PART NO: <b>12345678</b>	DRAWN BY: <b>JW</b> DATE: <b>12/31/2020</b>	CHECKED BY: <b>MS</b> DATE: <b>12/31/2020</b>



<u>ITEM NO.</u>	<u>COMPONENT</u>	<u>QTY.</u>	<u>SIZE</u>	<u>STANDARD MATERIAL</u>	<u>MATERIAL OPTIONS</u>
1	BODY	1	-	DUCTILE IRON	-
2	WEDGE	1	-	EPDM/DUCTILE IRON	-
3	STEM NUT	1	-	C87850	C99500 (LOW ZINC)
4	O-RING	1	#463	EPDM	BUNA-N
5	COVER	1	-	DUCTILE IRON	-
6	STEM	1	-	C86700	C99500 (LOW ZINC), 304 SS, 316 SS
7	O-RING	3	#325	EPDM	BUNA-N
8	THRUST WASHER	2	-	NYLATRON	-
9	PIPE PLUG	1	1/2"-NPT	304 SS	316 SS
10	ADAPTER PLATE	1	-	DUCTILE IRON	-
11	EXTENSION PLATE	1	-	DUCTILE IRON	-
12	O-RING	1	#433	EPDM	BUNA-N
13	O-RING	1	#447	EPDM	BUNA-N
14	STEM KEY	1	1/2" X 2"	18-8 SS	316 SS
15	COILED SPRING PIN	1	10MM X 45MM	302/304 SS	-
16	OPERATING NUT	1	-	CAST IRON	DUCTILE IRON, C86700, ** $\phi$ 24" HANDWHEEL**
17	BEVEL GEAR	1	-	-	SPUR GEAR
18	GASKET	1	-	EPDM	BUNA-N
19	WASHER	12	3/4"	18-8 SS	316 SS
20	HEX NUT	12	3/4"-10	18-8 SS	316 SS
21	HEX HEAD CAP SCREW	12	3/4"-10 X 3 3/4"	18-8 SS	316 SS
22	HEX HEAD CAP SCREW	4	7/8"-9 X 4"	18-8 SS	316 SS
23	HEX HEAD CAP SCREW	4	7/8"-9 X 3 1/2"	18-8 SS	316 SS
24	HEX HEAD CAP SCREW	4	5/8"-11 X 1 1/2"	18-8 SS	316 SS
25	WASHER	1	5/16" X 2"	18-8 SS	316 SS
26	HEX HEAD CAP SCREW	1	5/16"-18 X 3/4"	18-8 SS	316 SS
27	HEX NUT	8	7/8"-9	18-8 SS	316 SS

- VALVES CONFORM WITH FOLLOWING STANDARDS
  - AWWA C515
  - NSF 61
- LOW ZINC BRASS STEM AND STEM NUT AVAILABLE
- 100% DOMESTIC FASTENER AND O-RING OPTIONS AVAILABLE
- OPEN LEFT (COUNTERCLOCKWISE) AND OPEN RIGHT (CLOCKWISE) OPTIONS AVAILABLE
- TURNS TO OPEN FROM FULLY CLOSED: 104 ( $\pm$  5%)
- AWWA MAXIMUM ALLOWABLE CLOSING TORQUE 250 FT-LBS INTO GEAR
- OPTIONAL HANDWHEEL CAN BE SUBSTITUTED FOR STANDARD 2" SQUARE OP NUTS
  - \*\*NOTE: STANDARD HANDWHEEL SIZE CALLED OUT IN PARTS LIST\*\*

<b>16" CS16 NRS GEARED RESILIENT WEDGE GATE VALVE</b>		
DATE: 12/3/2008 TIME: 10:00 AM DRAWN BY: J. B. BROWN CHECKED BY: J. B. BROWN APPROVED BY: J. B. BROWN	PROJECT NO.: 12/3/2008 SHEET NO.: 7 TOTAL SHEETS: 7	SCALE: T:4 DRAWN BY: J. B. BROWN CHECKED BY: J. B. BROWN APPROVED BY: J. B. BROWN