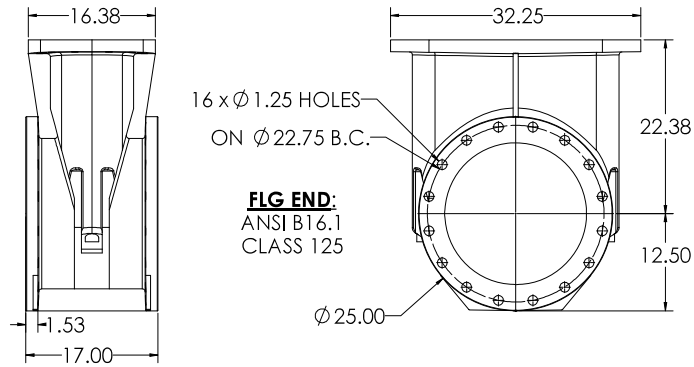
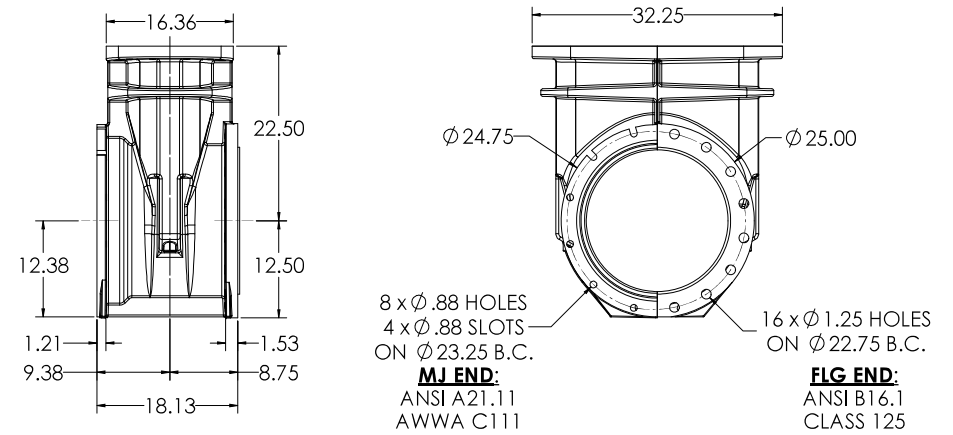


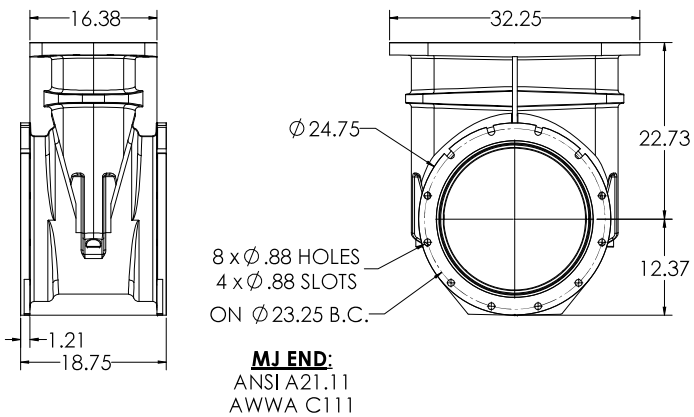
### 18" C515 FLG X FLG



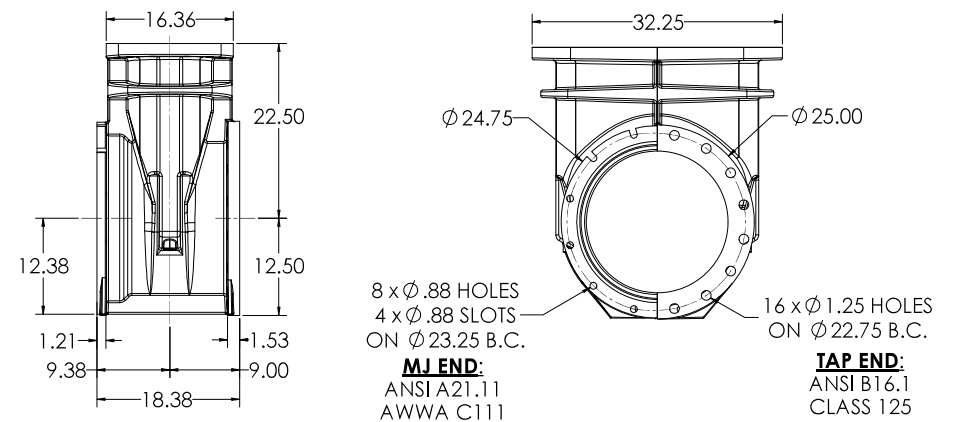
### 18" C515 MJ X TAP



### 18" C515 MJ X MJ

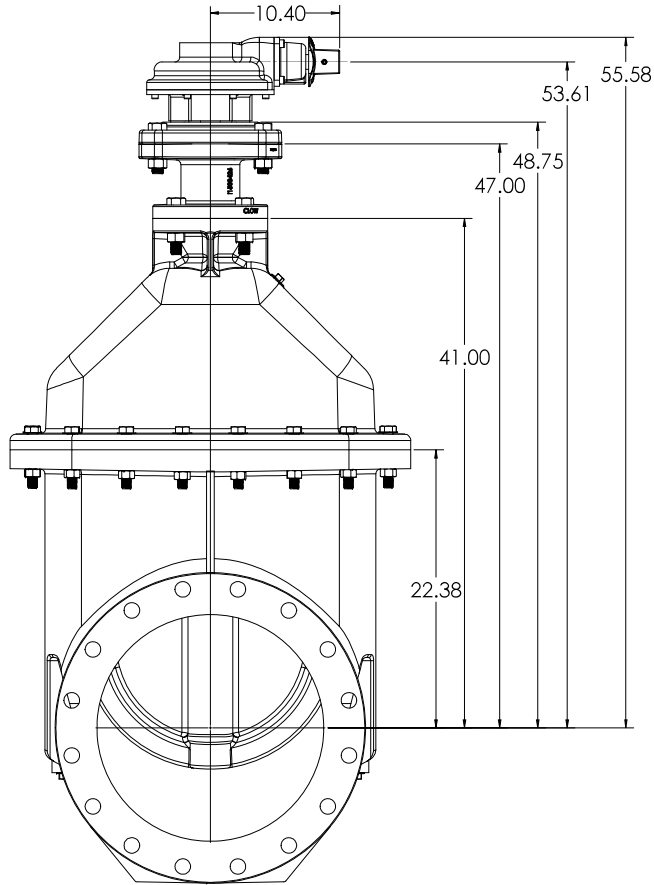


### 18" C515 FLG X MJ

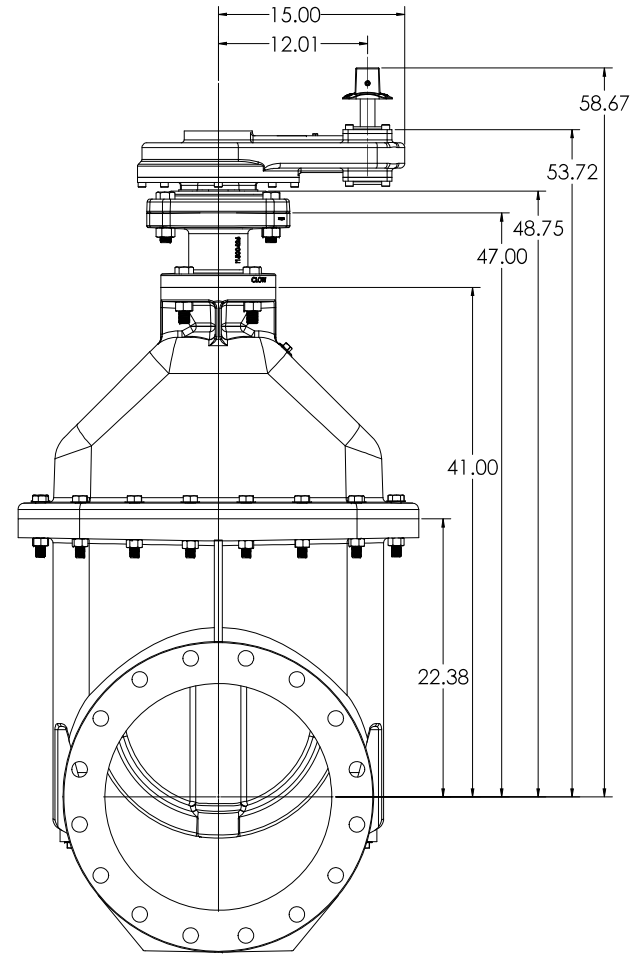


<b>REVISED</b> DATE: 11-20-20 BY: [Signature]		<b>DESIGNED</b> DATE: 11-20-20 BY: [Signature]		<b>CHECKED</b> DATE: 11-20-20 BY: [Signature]	
<b>PROJECT</b> 18" C515 NRS GEARED RESILIENT WEDGE GATE VALVE		<b>SCALE</b> T8		<b>DATE</b> 11-20-20	
<b>APPROVED</b> [Signature]		<b>APPROVED</b> [Signature]		<b>APPROVED</b> [Signature]	

### BEVEL GEAR WITH OPERATING NUT

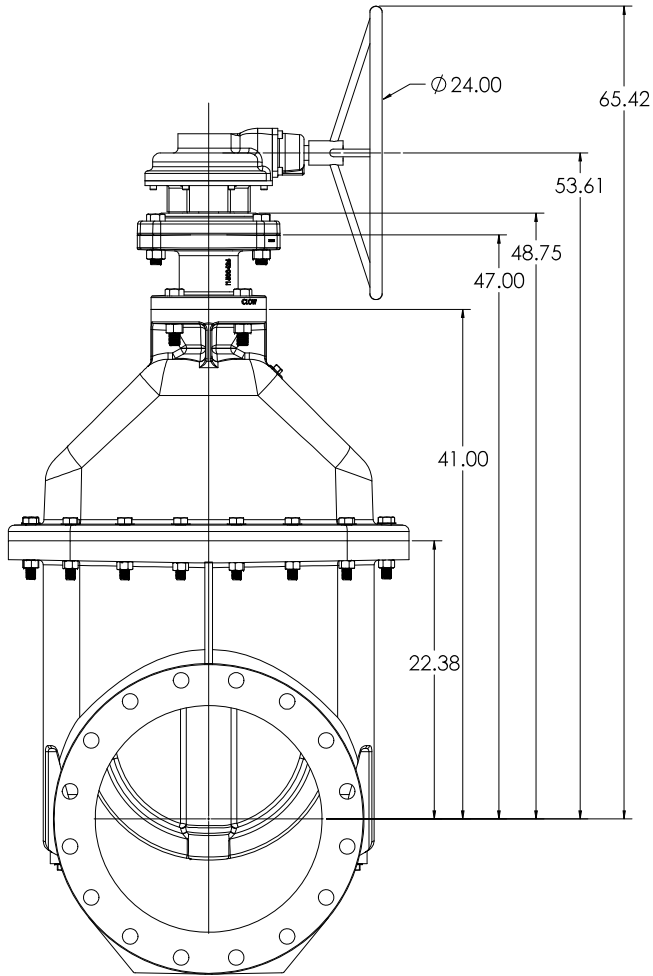


### SPUR GEAR WITH OPERATING NUT

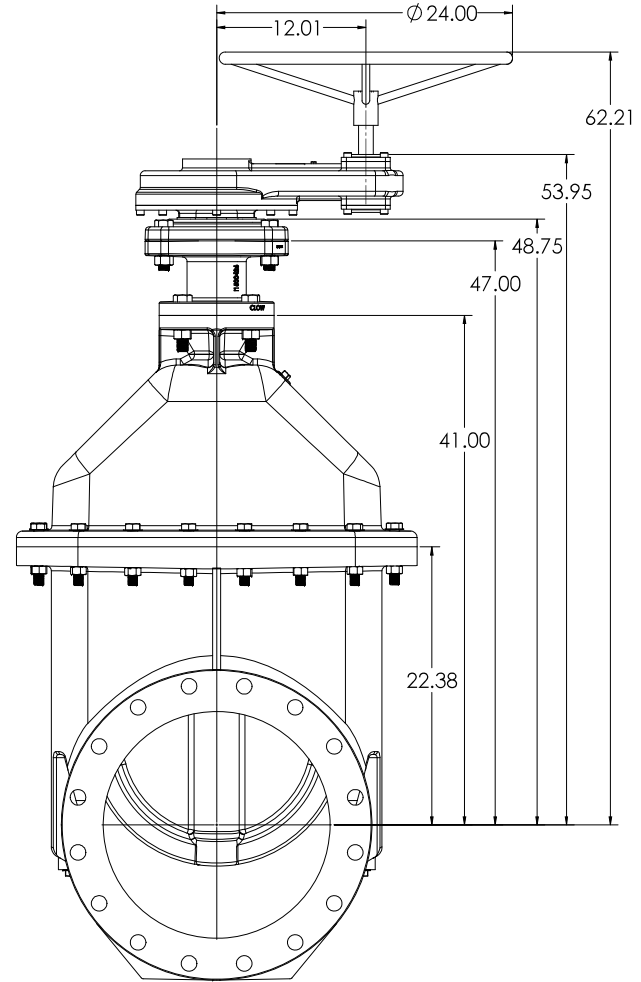


<b>18" CS15 NRS GEARED RESILIENT WEDGE GATE VALVE</b> LBS.		DWG 11-2020 1:5 SolidWorks 2016 SP2	
DATE: 11/15/20 DESIGNED BY: DWG CHECKED BY: DWG APPROVED BY: DWG	REVISIONS:	PART NO: 11-2020 QUANTITY: 1	SHEET NO: 2 TOTAL SHEETS: 7

### BEVEL GEAR WITH HANDWHEEL

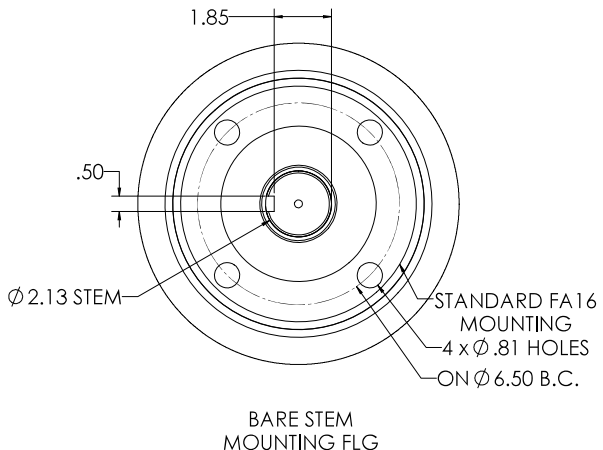
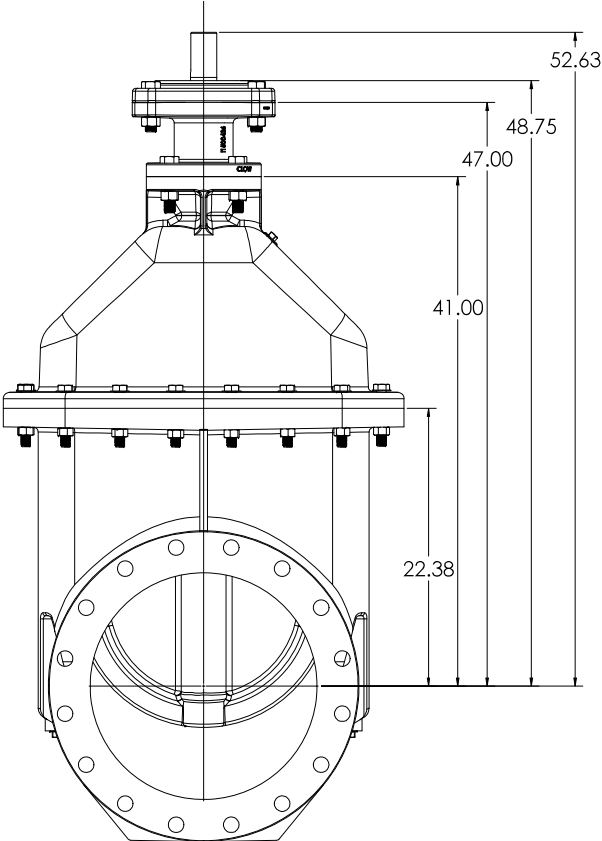


### SPUR GEAR WITH HANDWHEEL

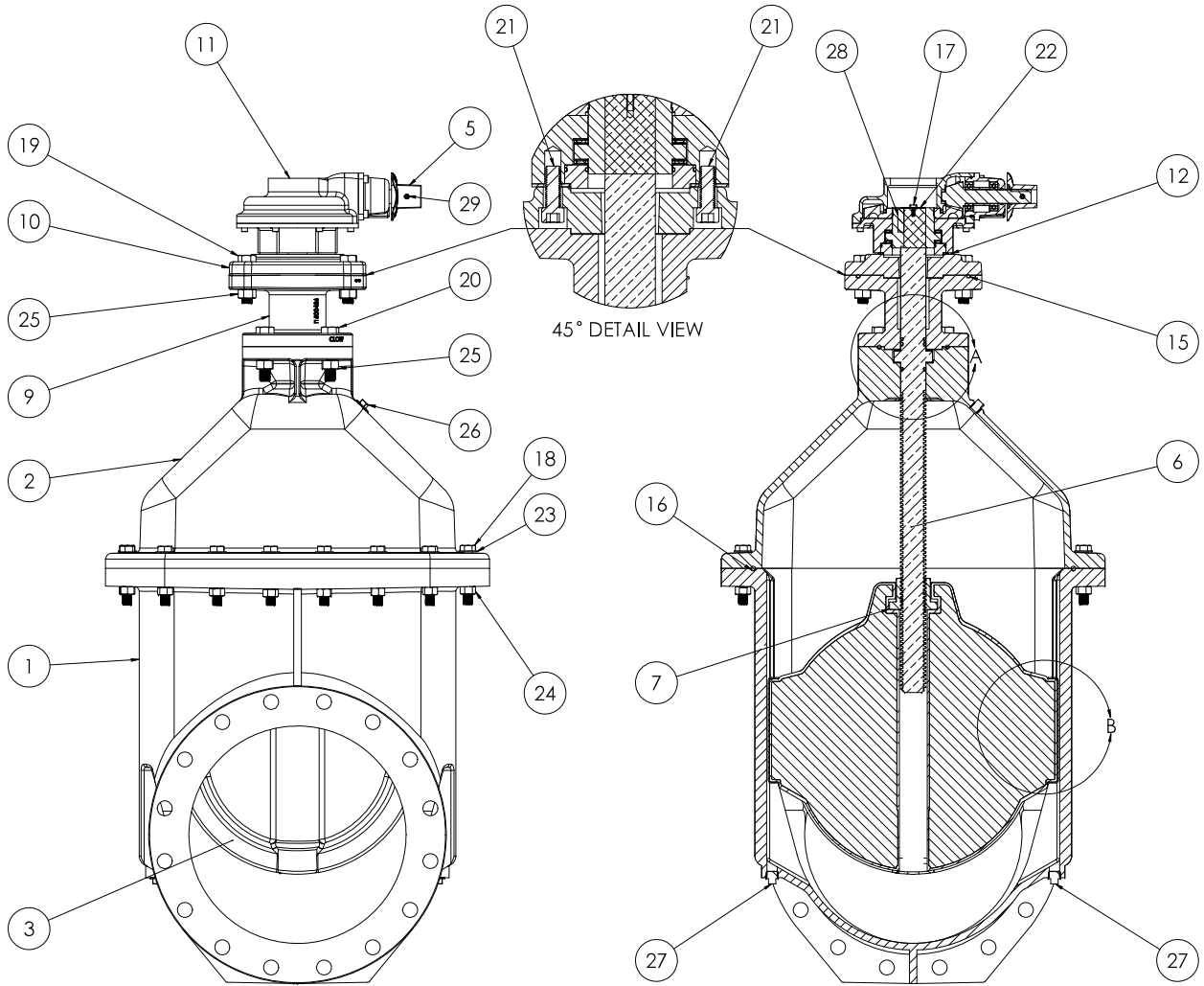


<b>18" CS15 NRS GEARED RESILIENT WEDGE GATE VALVE</b> LBS.		DWG 11-2020 T:5 SolidWorks 2016 SP2		
DATE: 11/15/20 DESIGNED BY: DWG CHECKED BY: DWG DRAWN BY: DWG SCALE: 1:5	PROJECT: 11-2020 SHEET: 7 TOTAL SHEETS: 7	REVISIONS: NO. DATE BY DESCRIPTION	APPROVED BY: DWG DATE: 11/15/20	3 7 D

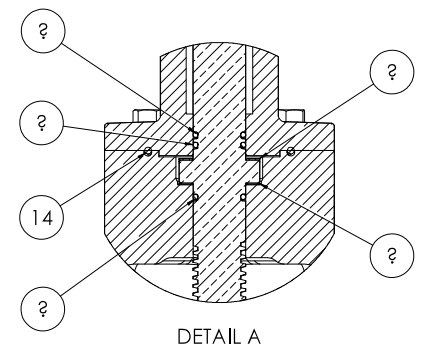
**BARE STEM**



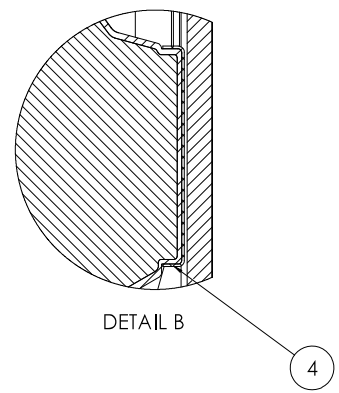
COMPANY: <b>SOLO WORKS</b> ADDRESS: 11-3020 PHONE: 408-225-1100 FAX: 408-225-1101 EMAIL: info@soloworks.com WEBSITE: www.soloworks.com		PROJECT: <b>18" CS18 NRS GEARED RESILIENT WEDGE GATE VALVE</b> DRAWING NO: <b>11-3020</b> SCALE: <b>1:5</b> DATE: <b>11-30-20</b>		SHEET NO: <b>4</b> TOTAL SHEETS: <b>7</b> DWG: <b>11-3020</b> DATE: <b>11-30-20</b> SCALE: <b>1:5</b> SHEET NO: <b>4</b> TOTAL SHEETS: <b>7</b>	
---	--	--	--	---	--



45° DETAIL VIEW



DETAIL A



DETAIL B

<b>MANUFACTURER'S INFORMATION</b> DWG NO: 11-3020 DATE: 11/10/10 SCALE: 1:5 SHEET NO: 7		<b>PROJECT INFORMATION</b> PROJECT NO: 11-3020 PROJECT NAME: 18" CS15 NRS GEARED RESILIENT WEDGE GATE VALVE DRAWN BY: [Name] CHECKED BY: [Name]		<b>REVISIONS</b> NO. DATE BY DESCRIPTION 1 11/10/10 [Name] [Description]		<b>APPROVALS</b> DESIGNER: [Signature] CHECKER: [Signature] PROJECT ENGINEER: [Signature]		<b>SCALE</b> 1:5	<b>SHEET NO.</b> 7	<b>TOTAL SHEETS</b> 7	<b>DATE</b> 11/10/10	<b>PROJECT</b> 18" CS15 NRS GEARED RESILIENT WEDGE GATE VALVE	<b>SCALE</b> 1:5	<b>SHEET NO.</b> 7	<b>TOTAL SHEETS</b> 7	<b>DATE</b> 11/10/10	<b>PROJECT</b> 18" CS15 NRS GEARED RESILIENT WEDGE GATE VALVE
---	--	---	--	--	--	--	--	---------------------	-----------------------	--------------------------	-------------------------	--	---------------------	-----------------------	--------------------------	-------------------------	--

ITEM NO.	COMPONENT	QTY.	SIZE	STANDARD MATERIAL	MATERIAL OPTIONS
1	BODY	1	-	DUCTILE IRON	-
2	COVER	1	-	DUCTILE IRON	-
3	WEDGE	1	-	DUCTILE IRON/EPDM	-
4	WEDGE CAP	2	-	DELTRIN	-
5	OPERATING NUT	1	-	CAST IRON	C86700, 304 SS ** Ø 24" HANDWHEEL**
6	STEM	1	2 1/8"	C86200	C99500, 304 SS 316 SS
7	STEM NUT	1	-	C87610	C87850, C99500
8	THRUST WASHER	2	-	DELTRIN	-
9	EXTENSION PLATE	1	-	DUCTILE IRON	-
10	ADAPTER PLATE	1	-	DUCTILE IRON	-
11	BEVEL GEAR	1	-	-	-
12	ACTUATOR GASKET	1	-	BUNA-N	-
13	O-RING	3	#327	EPDM	BUNA-N
14	O-RING	1	#433	EPDM	BUNA-N
15	O-RING	1	#447	EPDM	BUNA-N
16	O-RING	1	#469	EPDM	BUNA-N
17	HEX HEAD CAP SCREW	1	5/16"-18 x 3/4"	18-8 SS	316 SS
18	HEX HEAD CAP SCREW	16	3/4"-10 X 4 1/2"	18-8 SS	316 SS
19	HEX HEAD CAP SCREW	4	7/8"-9 x 3 1/2"	18-8 SS	316 SS
20	HEX HEAD CAP SCREW	4	7/8"-9 X 4"	18-8 SS	316 SS
21	SOCKET HEAD CAP SCREW	4	3/4"-10 X 1 3/4"	18-8 SS	316 SS
22	FENDER WASHER	1	5/16"	18-8 SS	316 SS
23	FLAT WASHER	16	3/4"	18-8 SS	316 SS
24	HEX NUT	16	3/4"-10	18-8 SS	316 SS
25	HEX NUT	8	7/8"-9	18-8 SS	316 SS
26	PIPE PLUG	1	1/2" - NPT	304 SS	316 SS
27	PIPE PLUG	2	3/4" - NPT	304 SS	316 SS
28	KEY	1	1/2" X 1/2" X 2"	DOMESTIC CR STEEL	-
29	COILED SPRING PIN	1	10mm x 45mm	302 SS OR 304 SS	-

- VALVES CONFORM WITH FOLLOWING STANDARDS
  - AWWA C515
  - NSF 61
- LOW ZINC BRASS STEM AND STEM NUT AVAILABLE
- 100% DOMESTIC FASTENER AND O-RING OPTIONS AVAILABLE
- OPEN LEFT (COUNTERCLOCKWISE) AND OPEN RIGHT (CLOCKWISE) OPTIONS AVAILABLE
- TURNS TO OPEN FROM FULLY CLOSED: 228
  - +/- 5% WITH STANDARD 3:1 BEVEL OR SPUR GEAR
- AWWA MAXIMUM ALLOWABLE CLOSING TORQUE 250 FT-LBS WITH STANDARD GEARING
- OPTIONAL HANDWHEEL CAN BE SUBSTITUTED FOR STANDARD 2" SQUARE OP NUTS
  - \*\*NOTE: STANDARD HANDWHEEL SIZE CALLED OUT IN PARTS LIST\*\*