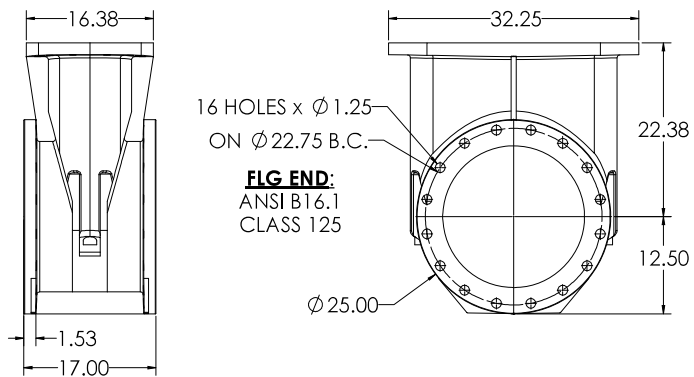
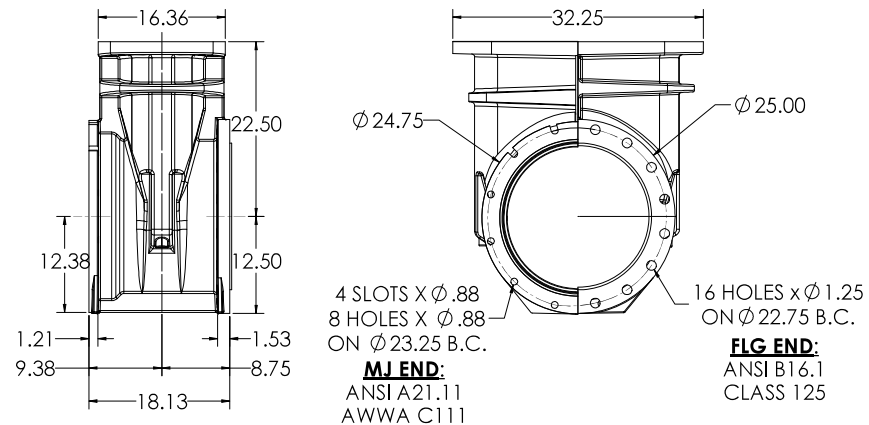


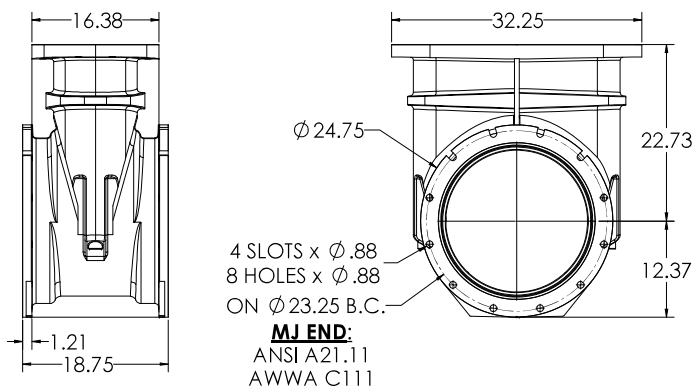
18" C515 FLG X FLG



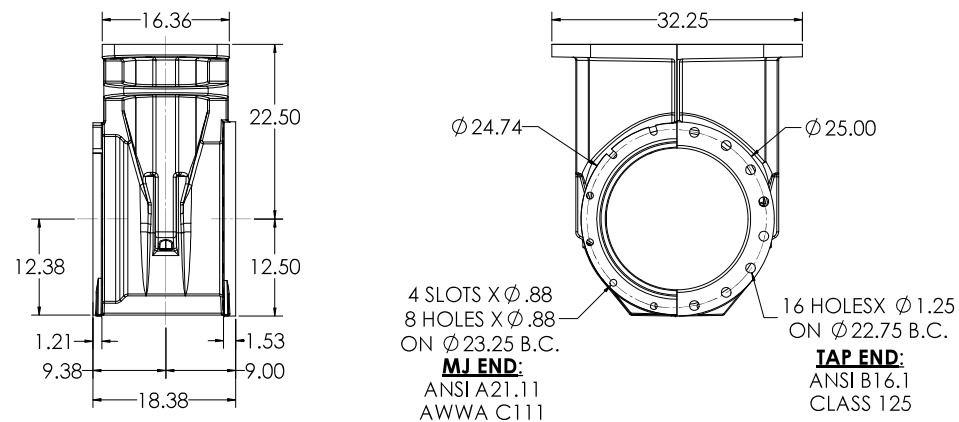
18" C515 FLG X MJ



18" C515 MJ X MJ

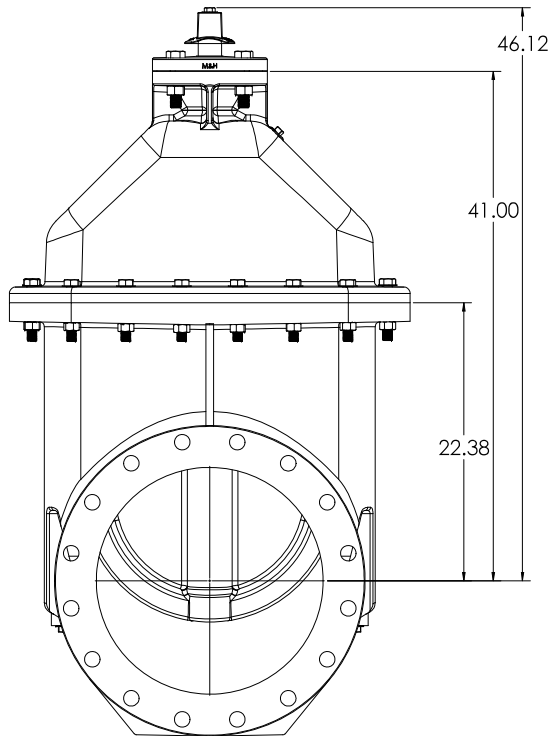


18" C515 MJ X TAP

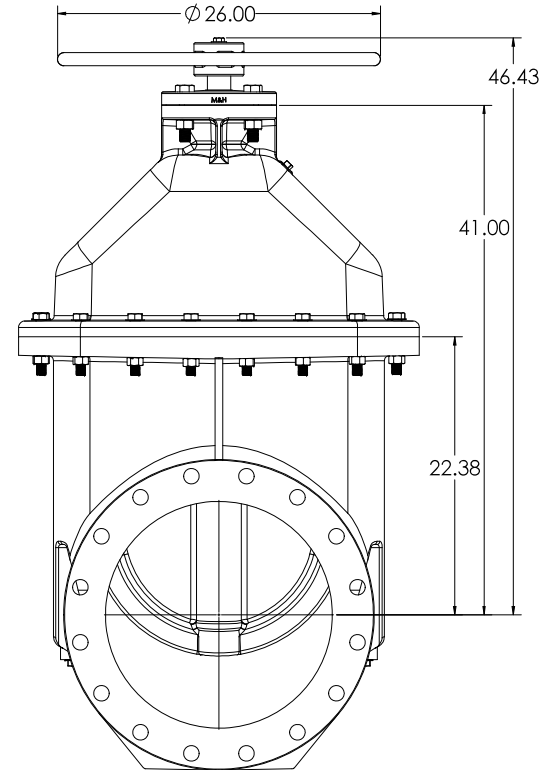


DWG NO: 1241220 DATE: 12/15/2016 DRAWN BY: DWI CHECKED BY: TJB APPROVED BY: DWI	PROJECT NO: 1241220 PROJECT NAME: 18" NRS C515 RESILIENT SEAT GATE VALVE SHEET NO: 5 TOTAL SHEETS: 5	REVISIONS:	18" NRS C515 RESILIENT SEAT GATE LBS. VALVE TJB 5	
---	---	------------	--	--

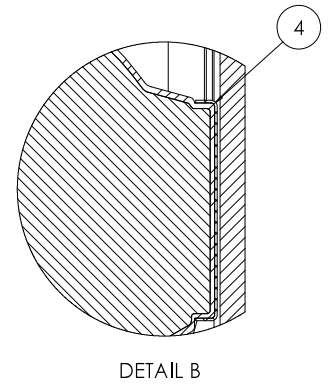
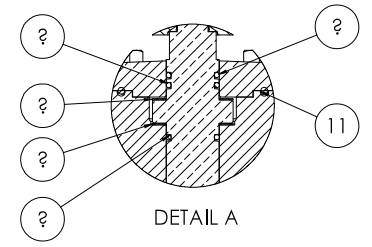
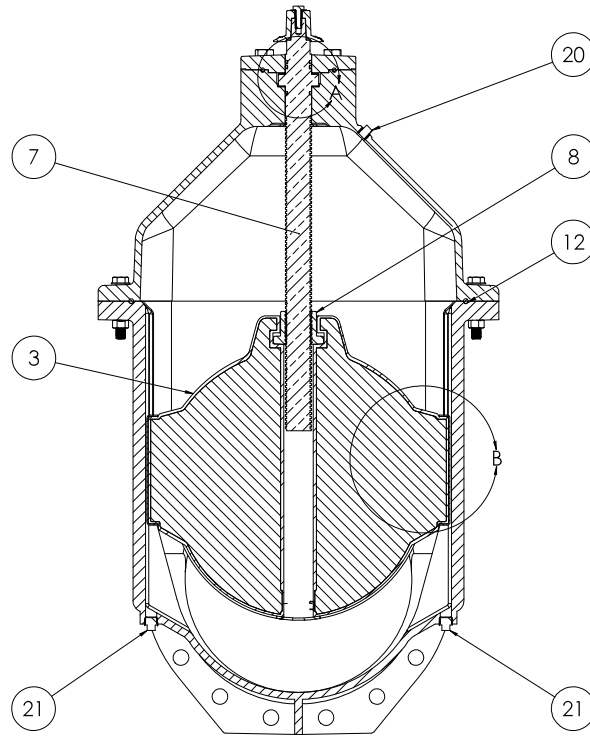
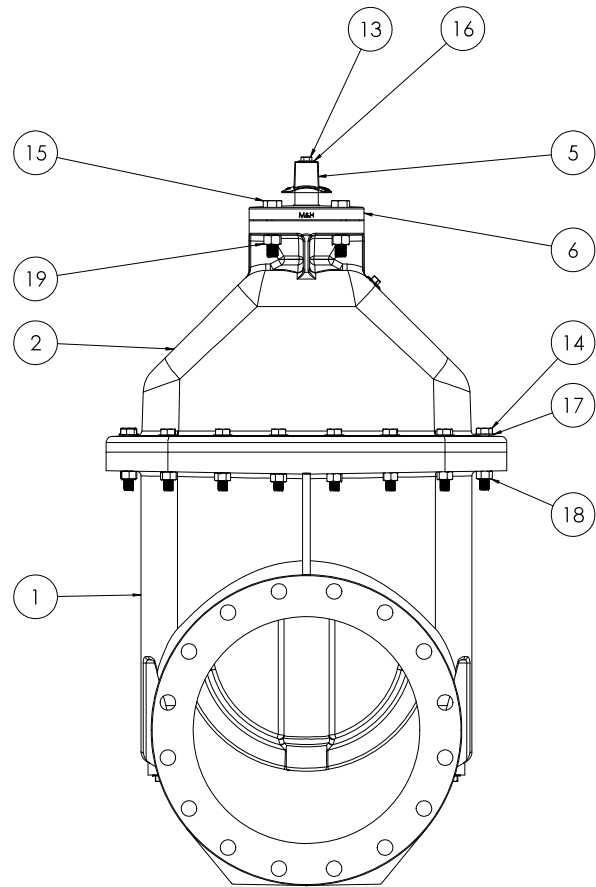
OPERATING NUT WITH O-RING PLATE



HANDWHEEL WITH O-RING PLATE



MANUFACTURER'S INFORMATION COMPANY: MMH ADDRESS: 10000 W. 10th Ave., Suite 100, Denver, CO 80202 PHONE: 303.751.1000 FAX: 303.751.1001 WWW: www.mmh.com		PROJECT INFORMATION PROJECT: 18" NRS C515 RESILIENT SEAT GATE VALVE DRAWING NO: LBS VALVE SCALE: 1:5 DATE: 12/4/2020		REVISIONS NO. 2 DATE 5 BY D
DESIGNER NAME: MMH TITLE: ENGINEER	CHECKED NAME: MMH TITLE: ENGINEER	APPROVED NAME: MMH TITLE: ENGINEER	DATE 12/4/2020	SCALE 1:5



18" NRS C515 RESILIENT SEAT GATE VALVE LBS. VALVE DWI 1242620		T:5 3 5 D	
DATE: 01/01/2010 TIME: 10:00 AM USER: DWI PROJECT: 1242620	DRAWING NO.: 1242620 REV: 1 DATE: 01/01/2010 TIME: 10:00 AM USER: DWI	SCALE: 1:5 SHEET NO.: 3 TOTAL SHEETS: 5	PROJECT NO.: 1242620 PROJECT NAME: 18" NRS C515 RESILIENT SEAT GATE VALVE PROJECT LOCATION:

ITEM NO.	COMPONENT	QTY.	SIZE	STANDARD MATERIAL	MATERIAL OPTIONS
1	BODY	1	-	DUCTILE IRON	-
2	COVER	1	-	DUCTILE IRON	-
3	WEDGE	1	-	DUCTILE IRON/EPDM	-
4	Wedge Cap	2	-	DELFIN	-
5	OPERATING NUT	1	-	CAST IRON	304 SS, C86700
6	FOLLOWER PLATE	1	-	DUCTILE IRON	-
7	STEM	1	2 1/8"	C86200	C99500, 304 SS 316 SS
8	STEM NUT	1	-	C87610	C87850, C99500
9	THRUST WASHER	2	3/16" X 3 1/4"	DELFIN	-
10	O-RING	3	#327	EPDM	BUNA-N
11	O-RING	1	#433	EPDM	BUNA-N
12	O-RING	1	#469	EPDM	BUNA-N
13	HEX HEAD CAPSCREW	1	1/2"-13 X 1 1/2"	18-8 SS	316 SS
14	HEX HEAD CAP SCREW	16	3/4"-10 X 4 1/2"	18-8 SS	316 SS
15	HEX HEAD CAP SCREW	4	7/8"-9 X 4"	18-8 SS	316 SS
16	FLAT WASHER	1	1/2"	18-8 SS	316 SS
17	FLAT WASHER	16	3/4"	18-8 SS	316 SS
18	HEX NUT	16	3/4"-10	18-8 SS	316 SS
19	HEX NUT	4	7/8"-9	18-8 SS	316 SS
20	PIPE PLUG	1	1/2" - NPT	304 SS	316 SS
21	PIPE PLUG	2	3/4" - NPT	STEEL	316 SS

- VALVES CONFORM WITH FOLLOWING STANDARDS
 - AWWA C515
 - NSF 61
- LOW ZINC BRASS STEM AND STEM NUT AVAILABLE
- 100% DOMESTIC FASTENER AND O-RING OPTIONS AVAILABLE
- OPEN LEFT (COUNTERCLOCKWISE) AND OPEN RIGHT (CLOCKWISE) OPTIONS AVAILABLE
- TURNS TO OPEN FROM FULLY CLOSED: 64 (+/-5%)
- AWWA MAXIMUM ALLOWABLE CLOSING TORQUE 750 FT-LBS WITHOUT GEARING
- OPTIONAL HANDWHEEL CAN BE SUBSTITUTED FOR STANDARD 2" SQUARE OP NUTS
 - **NOTE: STANDARD HANDWHEEL SIZE CALLED OUT IN PARTS LIST**

18" NRS C515 RESILIENT SEAT GATE VALVE		
DATE: 1/20/20 DWG: 1242620	REVISION: 01 DATE: 1/20/20 DWG: 1242620	PROJECT: 18" NRS C515 RESILIENT SEAT GATE VALVE SHEET NO. 4 OF 5