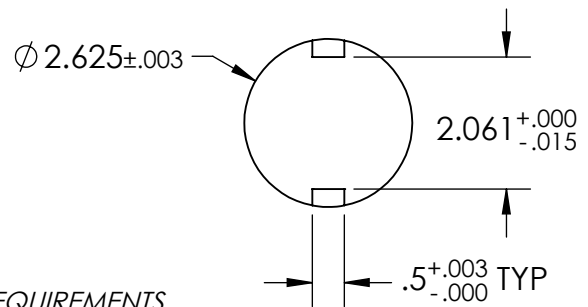


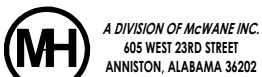
SHAFT DIMENSIONS & TOLERANCES



1. FLOW MAY BE IN EITHER DIRECTION
2. VALVE SHAFT WILL MEET OR EXCEED AWWA C504 REQUIREMENTS
3. REFERENCE AWWA C504 FOR FLANGES AND DRILLING (ANSI 125)
4. OPERATOR MOUNTING FLANGE COMPLIES WITH MSS/ISO SP-101 FA 16
5. (16) 1 1/8" BOLTS FOR BOLT CIRCLE (4 THREADED HOLES. 1 1/8"-7 UNC, 1 3/8" MIN DEPTH)
6. RATED FOR 150PSI WORKING PRESSURE
7. (*) STANDARD ACTUATOR MOUNTING ADAPTER LENGTH. FOR EXTENDED LENGTH ADAPTERS, CALL FACTORY.

THIS DWG. AND ALL INFORMATION IS OUR PROPERTY AND SHALL NOT BE USED, COPIED, OR REPRODUCED WITHOUT WRITTEN CONSENT. DESIGN AND INVENTION RIGHTS RESERVED.

M&H VALVE COMPANY



A DIVISION OF McWANE INC.
605 WEST 23RD STREET
ANNISTON, ALABAMA 36202

BY:

CTJ

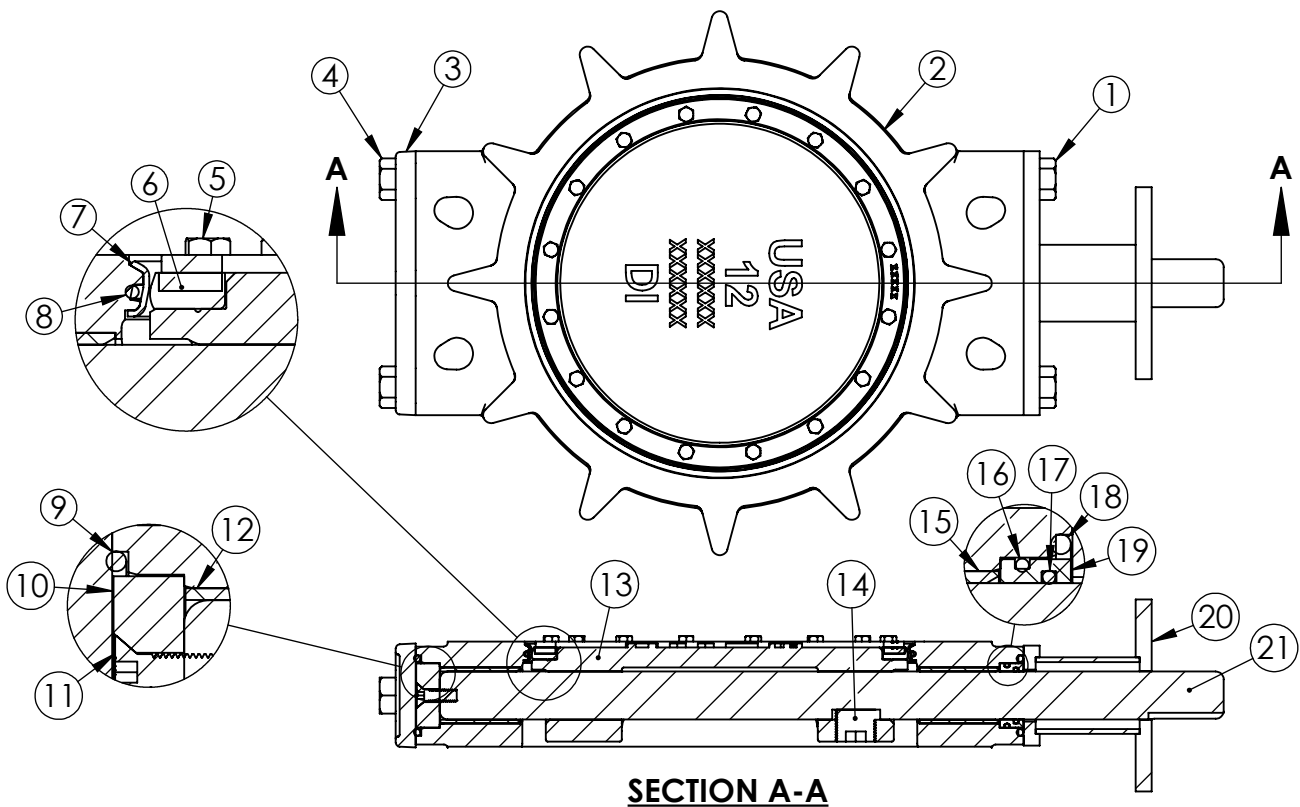
DATE:

04/23/2024

DWG

BD18SW1-B00020

18" AWWA C504 BUTTERFLY VALVE
WAFER STYLE - CL150
BARE STEM OPERATOR SHAFT



SECTION A-A

1. OPERATOR FLANGE COMPLIES WITH MSS/ISO SP-101 FA12
2. OPERATOR SHAFTS OF VALVES PURCHASED WITHOUT M&H OPERATORS COMPLY WITH MSS/ISO SP-101 SHAFT LENGTH & KEYWAY ENGAGENTS

ITEM NO.	DESCRIPTION	MATERIAL
1	ADAPTER BOLT	304 STAINLESS STEEL
2	VALVE BODY	DUCTILE IRON, ASTM-536 GR 70-50-05
3	END COVER	DUCTILE IRON, ASTM-536 GR 70-50-05
4	END COVER BOLT	304 STAINLESS STEEL
5	VANE RING BOLT	304 STAINLESS STEEL
6	VANE SEAT RING	EPDM WITH STAINLESS STEEL INSERT
7	BODY SEAT RING	316 STAINLESS STEEL, ASTM A-276
8	BODY O-RING	BUNA-N
9	END COVER O-RING	BUNA-N
10	THRUST DISK	ACETAL
11	THRUST DISC SOCKET SCREW	304 STAINLESS STEEL
12	LOWER BODY BEARING	NYLATRON GS NYLON
13	VANE	DUCTILE IRON ASTM A-536 GR 70-50-05
14	VANE TORQUE PLUG	304 STAINLESS STEEL, ASTM A-276
15	UPPER BODY BEARING	NYLATRON GS NYLON
16	SHAFT CARTRIDGE SEAL O-RING (OD)	BUNA-N
17	SHAFT CARTRIDGE SEAL O-RING (ID)	BUNA-N
18	SHAFT CARTRIDGE SEAL END O-RING	BUNA-N
19	SHAFT CARTRIDGE SEAL	ACETAL
20	OPERATOR ADAPTER	STEEL
21	OPERATOR SHAFT	304 STAINLESS STEEL, ASTM A-276

THIS DWG. AND ALL INFORMATION IS OUR PROPERTY AND SHALL NOT BE USED, COPIED, OR REPRODUCED WITHOUT WRITTEN CONSENT. DESIGN AND INVENTION RIGHTS RESERVED.

M&H VALVE COMPANY



A DIVISION OF McWANE INC.
605 WEST 23RD STREET
ANNISTON, ALABAMA 36202

BY:

CTJ

DATE:

05/09/2024

DWG

BBAASW1-1111

4"-12" AWWA C504 CL150 BUTTERFLY VALVE
WAFER STYLE BODY SUB-ASM MATERIAL LIST