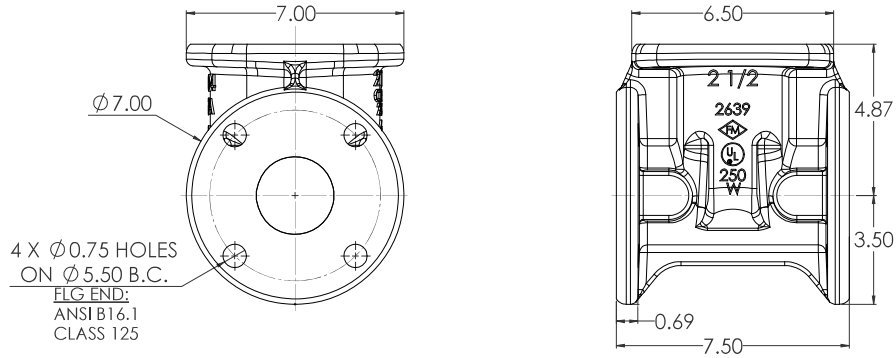
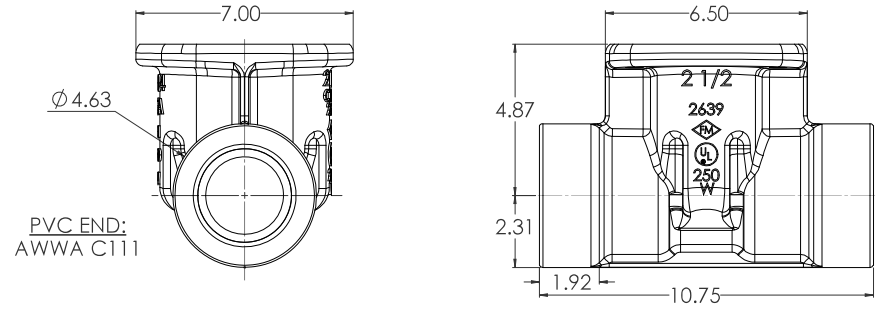


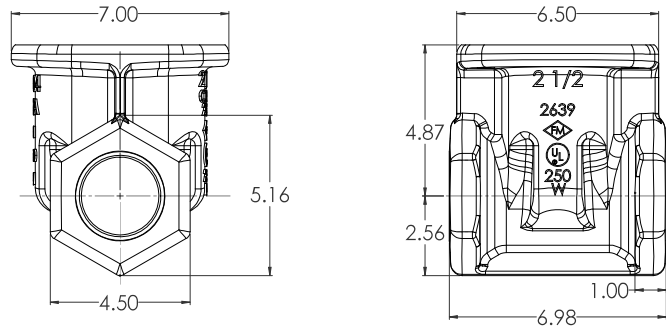
02 1/2" C509 FLG X FLG



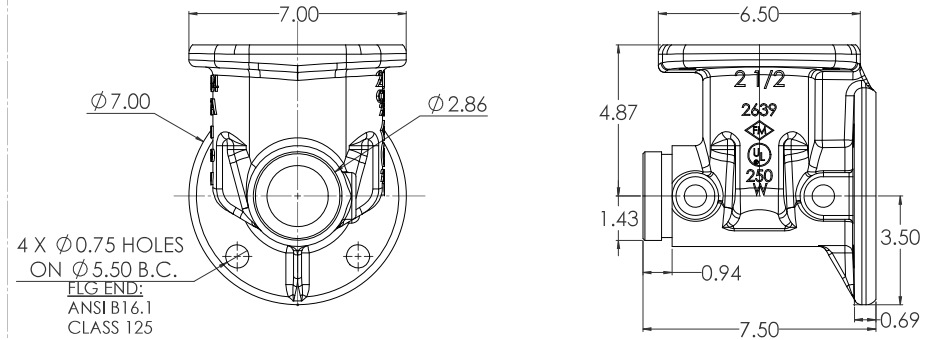
02 1/2" C509 PVC X PVC



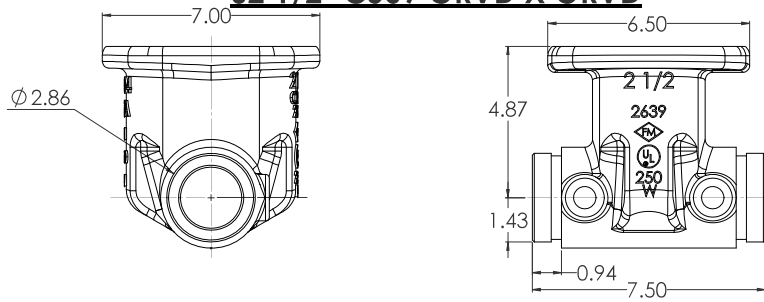
02 1/2" C509 THRD X THRD



02 1/2" C509 FLG X GRVD



02 1/2" C509 GRVD X GRVD



COMPANY: OS&Y ADDRESS: 1000 W. 10th St., Tulsa, OK 74103 PHONE: 918-436-7000 FAX: 918-436-7001 E-MAIL: sales@osandy.com WEBSITE: www.osandy.com	PRODUCT: 02 1/2" C509 OS&Y RESILIENT LBS. WEDGE GATE VALVE MATERIAL: 125 WEIGHT: 12 PART NO: 125/2000	DATE: 12/1/2000 DRAWN BY: 125/2000 CHECKED BY: 125/2000 APPROVED BY: 125/2000	SHEET NO: 5 OF: 5 PROJECT NO: D
--	--	--	--

<u>ITEM NO.</u>	<u>COMPONENT</u>	<u>QTY.</u>	<u>SIZE</u>	<u>STANDARD MATERIAL</u>	<u>MATERIAL OPTIONS</u>
1	BODY	1	-	CAST IRON	-
2	STEM	1	-	C65500 (LOW ZINC)	304 SS, 316 SS
3	STEM NUT	1	-	C87850	C87610 (LOW ZINC)
4	O-RING	1	#212	EPDM	BUNA-N
5	DRIVLOK PIN	1	1/4" X 1 1/4"	303 SS	-
6	WEDGE	1	-	EPDM/DUCTILE IRON	-
7	O-RING	1	#425	EPDM	BUNA-N
8	TOP STEM NUT	1	-	C86700	-
9	THRUST WASHER	1	-	ACETAL	C26000
10	HANDWHEEL NUT	1	-	C87850	C87610
11	GLAND	1	-	CAST IRON	-
12	COVER	1	-	CAST IRON	-
13	HEX HEAD CAP SCREW	4	1/2"-13 X 2"	18-8 SS	316 SS
14	HEX NUT	6	1/2"-13	18-8 SS	316 SS
15	SQUARE HEAD CAP SCREW	2	1/2"-13 X 2 3/4"	18-8 SS	316 SS
16	HANDWHEEL	1	7 1/4" DIA.	DUCTILE IRON	-

- VALVES CONFORM WITH THE FOLLOWING STANDARDS
 - NSF 61
- LOW ZINC BRASS STEM AVAILABLE
- 100% DOMESTIC FASTENERS AND ORINGS OPTIONS AVAILABLE
- *OPEN LEFT* (COUNTERCLOCKWISE) AND *OPEN RIGHT* (CLOCKWISE) OPTIONS AVAILABLE
- TURNS TO OPEN FROM FULLY CLOSED: 8
- AWWA MAXIMUM ALLOWABLE CLOSING TORQUE 28 FT-LB

 Solix WATER VALVE MANUFACTURERS 10000 W. 120th St., Suite 100 Omaha, NE 68147-1000 Phone: (402) 426-1000 Fax: (402) 426-1001 Email: sales@solixvalve.com Website: www.solixvalve.com		02 1/2" CS09 OS&Y RESILIENT LBS. WEDGE GATE VALVE		
DATE: 12/1/2020 TIME: 10:00 AM USER: CW	12/1/2020	1:5	SolixWorks 2016 SP2	4 5 D