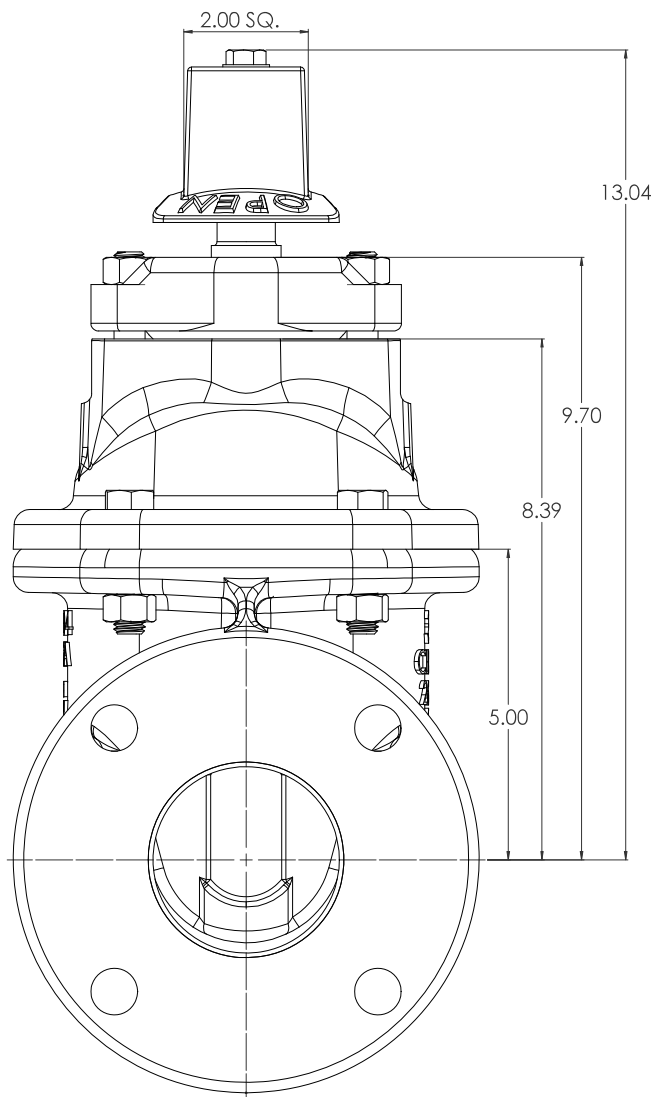


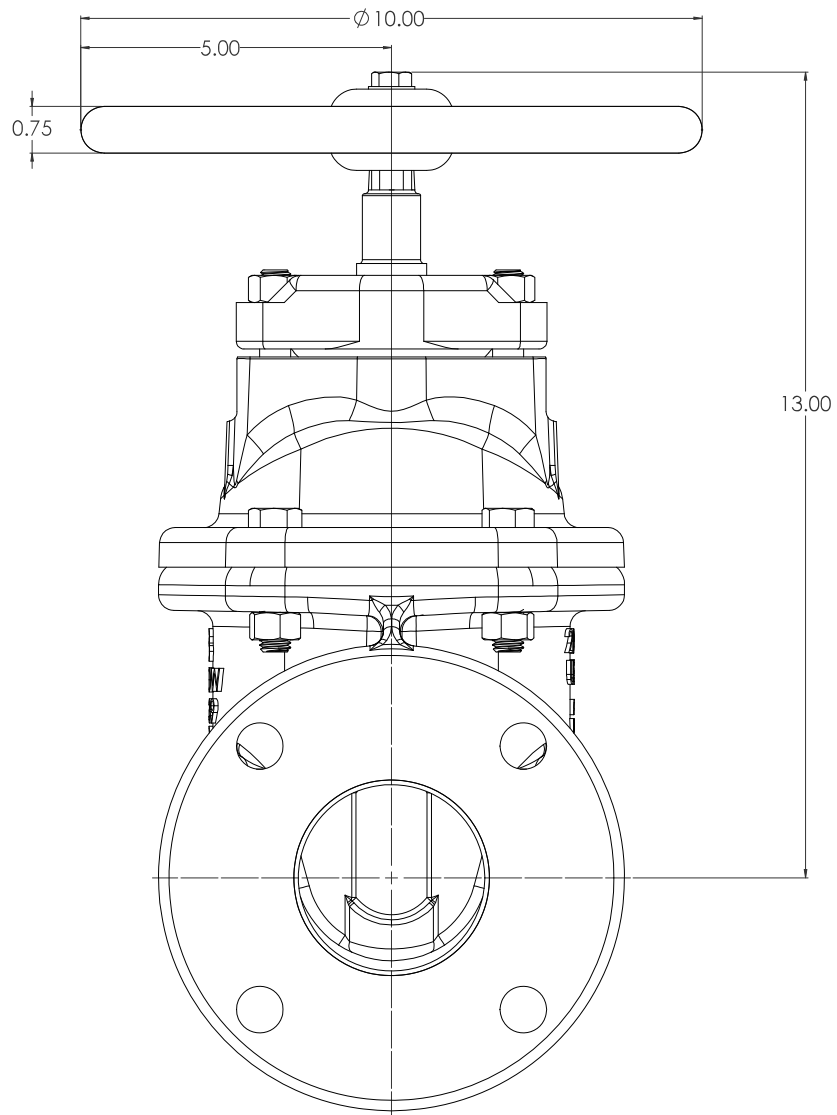




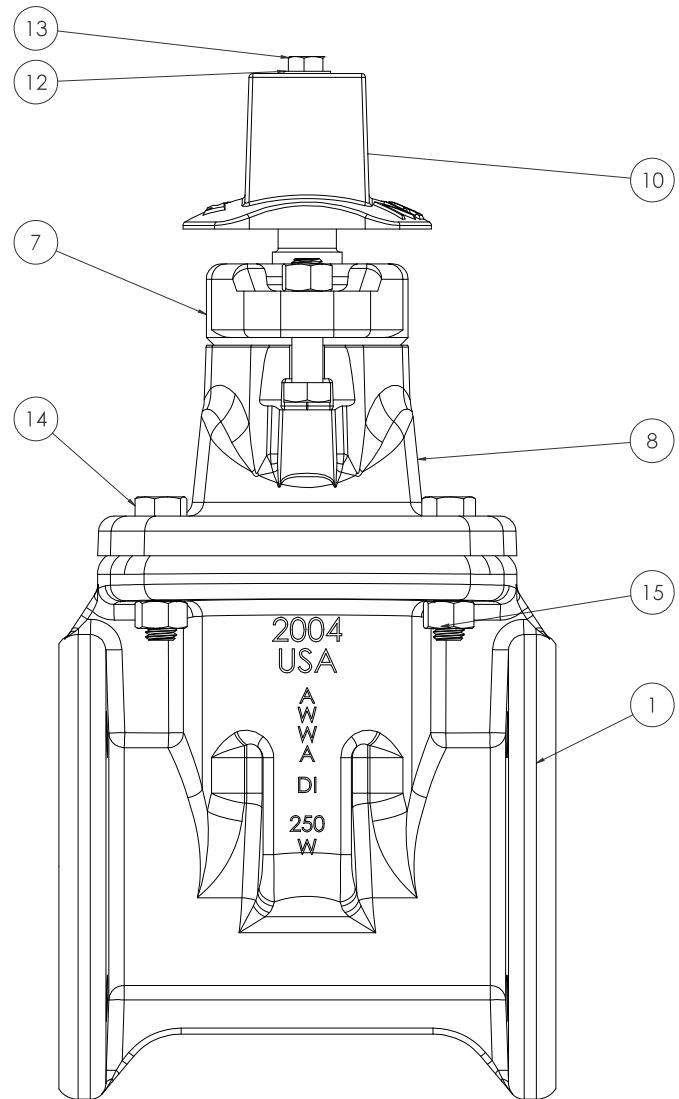
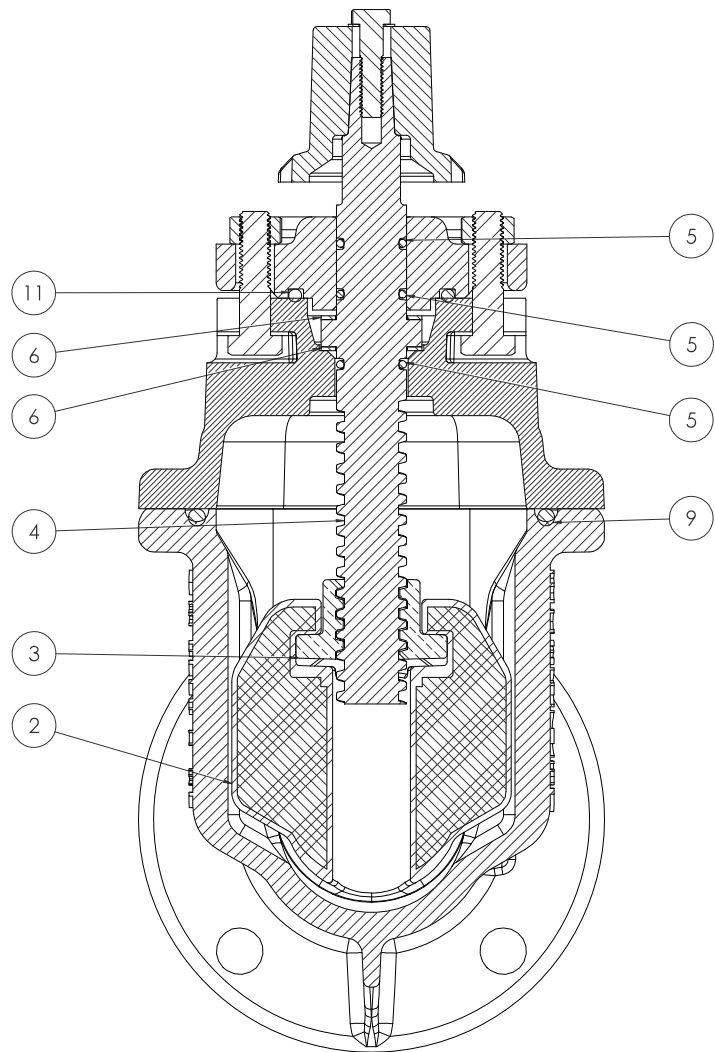
**NRS WITH OPERATING NUT**



**NRS WITH HANDWHEEL**



<b>COMPANY</b> 1234567890 1234567890		<b>PROJECT</b> 1234567890 1234567890		<b>DATE</b> 12/1/2020	
<b>REV</b> 1 2 3 4 5	<b>DESCRIPTION</b> 1234567890 1234567890 1234567890 1234567890 1234567890	<b>DATE</b> 12/1/2020 12/1/2020 12/1/2020 12/1/2020 12/1/2020	<b>BY</b> 1234567890 1234567890 1234567890 1234567890 1234567890	<b>CHKD</b> 1234567890 1234567890 1234567890 1234567890 1234567890	<b>APP'D</b> 1234567890 1234567890 1234567890 1234567890 1234567890
<b>DESCRIPTION</b> 03" C509 NRS RESILIENT LBS. WEDGE GATE VALVE			<b>SCALE</b> 1:5	<b>DATE</b> 12/1/2020	<b>REV</b> 6



<b>AWW</b> AMERICAN WATER WORKS ASSOCIATION 1155 N. 17th Street, Denver, CO 80202 (303) 733-8800 www.awwa.org		<b>AWWA</b> AMERICAN WATER WORKS ASSOCIATION 1155 N. 17th Street, Denver, CO 80202 (303) 733-8800 www.awwa.org		<b>AWWA</b> AMERICAN WATER WORKS ASSOCIATION 1155 N. 17th Street, Denver, CO 80202 (303) 733-8800 www.awwa.org	
DATE: 12/1/2020 TIME: 10:00 AM USER: JLM PROJECT: 12712020	DRAWING NO.: 12712020 REV: 1 TITLE: 03" C509 NRS RESILIENT WEDGE GATE VALVE	SCALE: 1:5 SHEET NO.: 4 TOTAL SHEETS: 6	MANUFACTURER: SolerWorks 2016 SP2		4 6

<u>ITEM NO.</u>	<u>COMPONENT</u>	<u>QTY.</u>	<u>SIZE</u>	<u>STANDARD MATERIAL</u>	<u>MATERIAL OPTIONS</u>
1	BODY	1	-	CAST IRON	DUCTILE IRON
2	WEDGE	1	-	EPDM/DUCTILE IRON	-
3	STEM NUT	1		C87850	C87610 (LOW ZINC)
4	STEM	1	-	C86200	C99500 (LOW ZINC), 304 SS, 316 SS
5	O-RING	3	#212	EPDM	BUNA-N
6	THRUST WASHER	2	1 3/8"	ACETAL	C26000
7	O-RING PLATE	1	-	DUCTILE IRON	-
8	COVER	1	-	CAST IRON	DUCTILE IRON
9	O-RING	1	#427	EPDM	BUNA-N
10	OPERATING NUT	1	-	CAST IRON	DUCTILE IRON, C86700, **10" DIA. HANDWHEEL**
11	O-RING	1	#331	EPDM	BUNA-N
12	WASHER	1	3/8"	18-8 SS	316 SS
13	HEX HEAD CAP SCREW	1	3/8"-16 X 1 1/2"	18-8 SS	316 SS
14	HEX HEAD CAP SCREW	6	1/2"-13 X 2"	18-8 SS	316 SS
15	HEX NUT	6	1/2"-13	18-8 SS	316 SS

- VALVES CONFORM WITH THE FOLLOWING STANDARDS
  - AWWA C509
  - NSF 61
- LOW ZINC BRASS STEM AND STEM NUT AVAILABLE
- 100% DOMESTIC FASTENERS AND ORINGS OPTIONS AVAILABLE
- *OPEN LEFT* (COUNTERCLOCKWISE) AND *OPEN RIGHT* (CLOCKWISE) OPTIONS AVAILABLE
- TURNS TO OPEN FROM FULLY CLOSED: 9
- AWWA MAXIMUM ALLOWABLE TORQUE TO CLOSE 52 FT-LB
- OPTIONAL HANDWHEEL CAN BE SUBSTITUTED FOR STANDARD 2" SQUARE OP NUTS.
  - \*\*NOTE: STANDARD HANDWHEELS SIZE CALLED OUT IN PARTS LIST.\*\*

<b>WEDGEMASTER</b> <small>WEDGEMASTER VALVES, INC. 12100 WEDGEMASTER DRIVE, WEDGEMASTER, OHIO 44094-1000</small>		<small>WEDGEMASTER VALVES, INC. 12100 WEDGEMASTER DRIVE, WEDGEMASTER, OHIO 44094-1000</small>		<small>WEDGEMASTER VALVES, INC. 12100 WEDGEMASTER DRIVE, WEDGEMASTER, OHIO 44094-1000</small>	
<small>DATE: 12/1/2009</small> <small>TIME: 10:00 AM</small> <small>BY: J. W. WEDGEMASTER</small>	<small>REV: 1</small> <small>DATE: 12/1/2009</small> <small>BY: J. W. WEDGEMASTER</small>	<small>REV: 1</small> <small>DATE: 12/1/2009</small> <small>BY: J. W. WEDGEMASTER</small>	<small>REV: 1</small> <small>DATE: 12/1/2009</small> <small>BY: J. W. WEDGEMASTER</small>	<small>REV: 1</small> <small>DATE: 12/1/2009</small> <small>BY: J. W. WEDGEMASTER</small>	<small>REV: 1</small> <small>DATE: 12/1/2009</small> <small>BY: J. W. WEDGEMASTER</small>
<small>03" C509 NRS RESILIENT</small> <small>LBS. WEDGE GATE VALVE</small>			<small>1:5</small> <small>12/1/2009</small>		
<small>5</small>			<small>6</small>		