

F = NUMBER OF FLANGE BOLTS  
 G = SIZE OF FLANGE BOLTS  
 H = NUMBER OF MJ BOLTS  
 J = SIZE OF MJ BOLTS

MJ END IN ACCORDANCE TO ANSI A21.11  
 FLANGE END PER ANSI B16.1 CLASS 125

VALVE SIZE	A	B	C	D	E	F	G	H	J	K	L	M	WEIGHT
30	38 3/4	2 1/8	31	71 3/8	54 3/4	28	1 1/4	20	1	39 1/2	1 11/16	14 7/8	5,400
36	46	2 3/8	34 3/4	81 1/16	58 7/8	32	1 1/2	24	1	46 1/2	2	14 7/8	7,200
42	53	2 5/8	37 1/2	98 3/8	78	36	1 1/2	28	1 1/4	54	2	17	15,200
48	59 1/2	2 3/4	39	101 3/8	78	44	1 1/2	32	1 1/4	60 3/4	2	17	15,500

URNS TO OPEN: (30"=587) (36"=705) (42"=1,056) (48"=1,200)  
 HANDWHEEL OPTIONAL: (30"&36"=24" DIAMETER) (42"-54"=28" DIAMETER)  
 NOTE: VALVE WILL ACCEPT A FULL SIZE TAPPING CUTTER

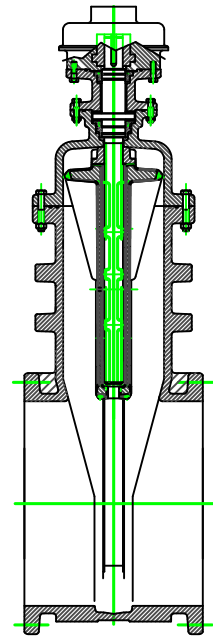
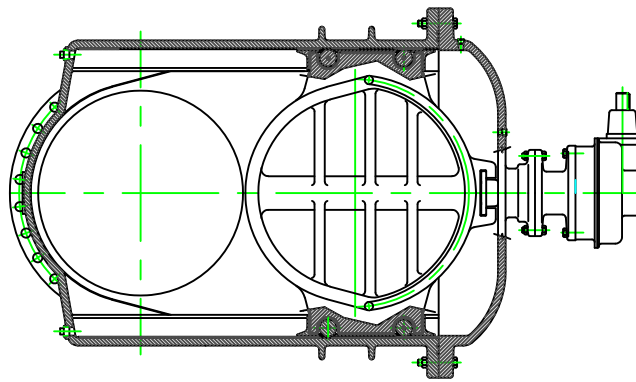
<b>M&amp;H VALVE COMPANY</b> ANNISTON, ALABAMA A DIVISION OF MCWANE INC.	DWN: TRIJ	30" THRU 48" RESILIENT SEAT GATE VALVE C515-STYLE 7572 (WITH BEVEL GEAR) (WITH ROLLERS, TRACKS, SCRAPPERS) FLANGE X MJ
	DATE: 9/1/12	
	DWG. NO. LRW55	

ITEM	DESCRIPTION	MATERIAL	ASTM SPEC.
1	BODY	DUCTILE IRON	ASTM A536 64-45-12
2	BOLT	STAINLESS STEEL	AISI 18-8 SS
3	NUT	STAINLESS STEEL	AISI 18-8 SS
4	WEDGE CASTING	DUCTILE IRON	ASTM A536 64-45-12
5	MOLDED RUBBER ON WEDGE	RUBBER	EPDM
6	STEM NUT	COPPER ALLOY	ASTM B763 C87610
7	EXTENSION-ACTUATOR	DUCTILE IRON	ASTM A536 64-45-12
8	BOLT	STAINLESS STEEL	AISI 18-8 SS
9	NUT	STAINLESS STEEL	AISI 18-8 SS
10	KEY	STEEL	-----
11	BEVEL GEAR ACTUATOR	(PURCHASED PART)	-----
12	O-RING	RUBBER	EPDM
13	BOLT	STAINLESS STEEL	AISI 18-8 SS
14	BUSHING-STEM GUIDE	COPPER ALLOY	ASTM B584 C83600
15	O-RING	RUBBER	EPDM
16	THRUST BEARING	NYLATRON	-----
17	O-RING	RUBBER	EPDM
18	COVER BUSHING	COPPER ALLOY	ASTM B584 C83600
19	O-RING	RUBBER	EPDM
20	COVER	DUCTILE IRON	ASTM A536 65-45-12
21	O-RING-COVER OUTER	RUBBER	EPDM
22	STEM	COPPER ALLOY	ASTM B584 C86700
*23	PIPE PLUG	STAINLESS STEEL	AISI 316 SS
24	ACTUATOR DRIVE BUSHING	STEEL	-----
25	O-RING	RUBBER	EPDM
27	SCRAPER	COPPER ALLOY	ASTM B148 C95400
28	TRACK	STAINLESS STEEL	AISI 316 SS
29	ROLLER	COPPER ALLOY	ASTM B148 C95400
30	PIN-ROLLERS	STAINLESS STEEL	AISI 304 SS
31	O-RING-COVER INNER	RUBBER	EPDM
**32	PIPE PLUGS	STAINLESS STEEL	AISI 316 SS

ACTUATOR RATIO (30" & 36" = 6:1) (42" - 54" = 8:1)

\*COVER PIPE PLUG SIZE (30" & 36" = 3/4") (42" - 54" = 1")

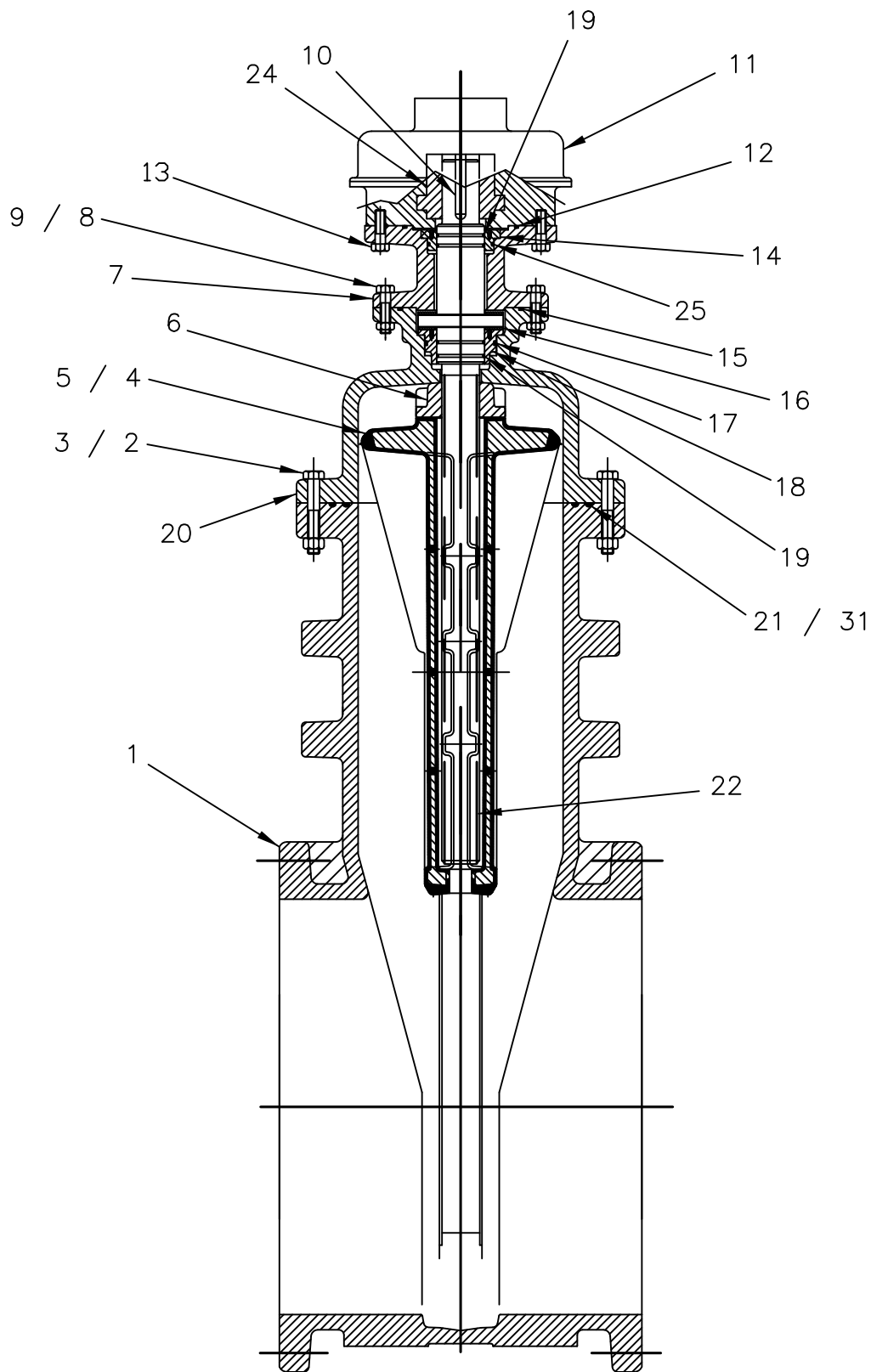
\*\*BODY PIPE PLUG SIZE (30" & 36" = 1 1/4") (42" - 54" = 1 1/2")



M&H VALVE COMPANY  
ANNISTON, ALABAMA  
A DIVISION OF MCWANE INC.

DWN: CTJ  
DATE: 7/24/19  
DWG. NO.  
LRW52

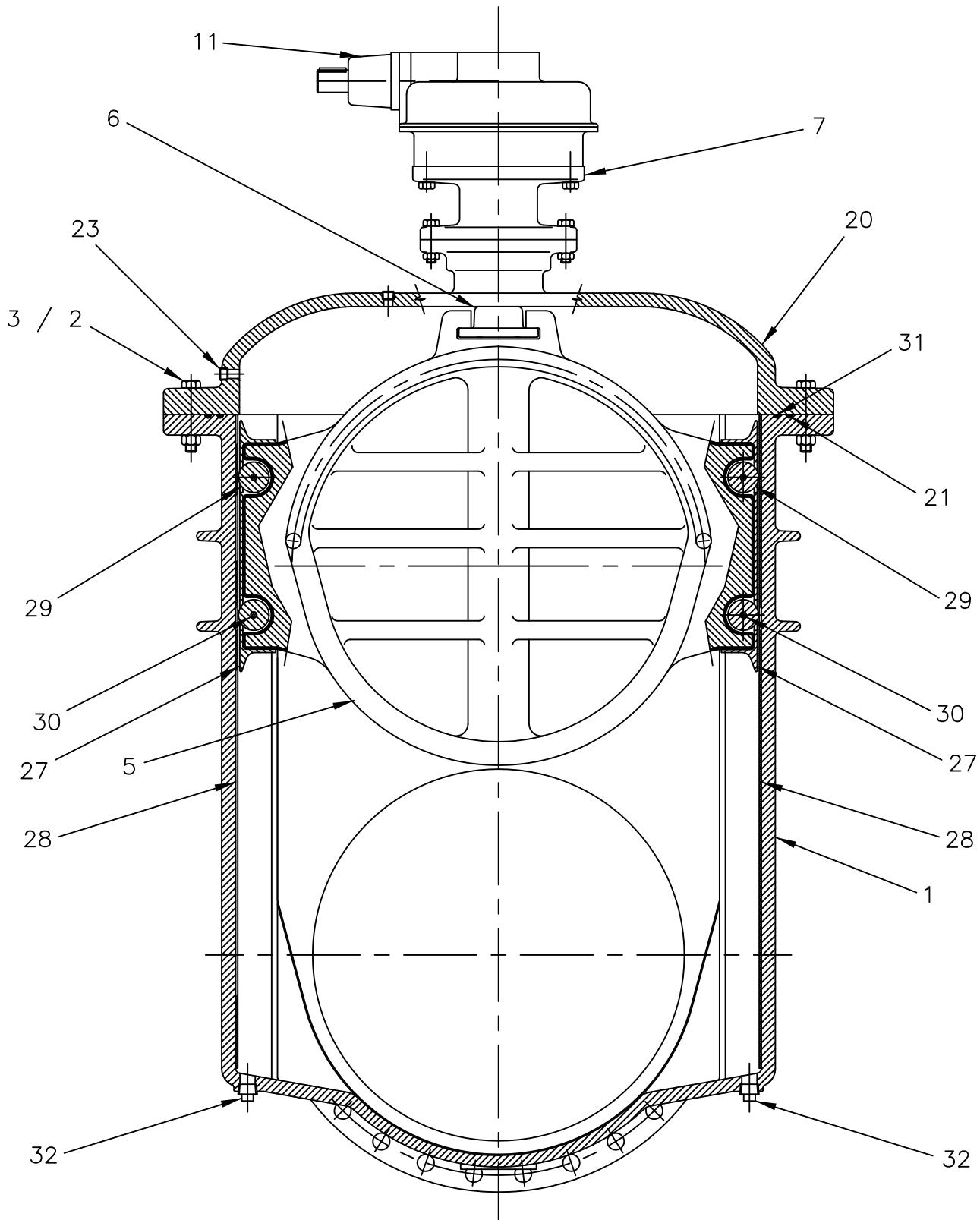
30" THRU 54"  
RESILIENT SEAT GATE VALVE  
C515-SERIES 7000  
(WITH BEVEL GEAR)  
(WITH ROLLERS, TRACKS, SCRAPPERS)  
MATERIAL LIST



M&H VALVE COMPANY  
ANNISTON, ALABAMA  
A DIVISION OF MCWANE INC.

DWN: TRIJ  
DATE: 9/1/12  
DWG. NO.  
LRW50

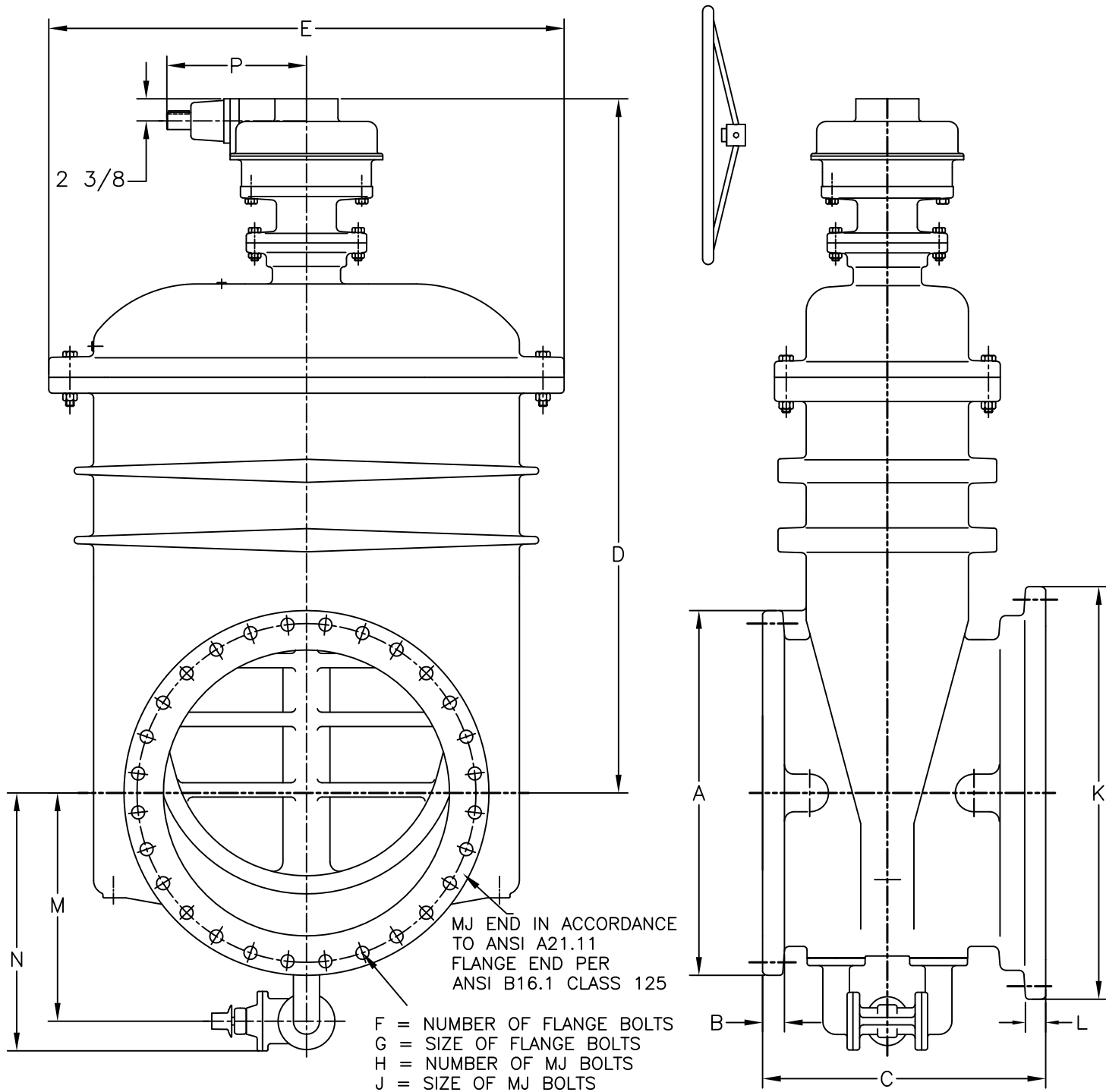
30" THRU 54"  
RESILIENT SEAT GATE VALVE  
C515-7000 SERIES  
(WITH BEVEL GEAR)  
(WITH ROLLERS, TRACKS, SCRAPPERS)  
ASSEMBLY DRAWING 1



M&H VALVE COMPANY  
ANNISTON, ALABAMA  
A DIVISION OF MCWANE INC.

DWN: TRIJ
DATE: 9/1/12
DWG. NO. LRW51

30" THRU 54"  
RESILIENT SEAT GATE VALVE  
C515-7000 SERIES  
(WITH BEVEL GEAR)  
(WITH ROLLERS, TRACKS, SCRAPPERS)  
ASSEMBLY DRAWING 2



VALVE SIZE	A	B	C	D	E	F	G	H	J	K	L	M	N	P	WEIGHT
30	38 3/4	2 1/8	31	73 3/4	54 3/4	28	1 1/4	20	1	39 1/2	1 11/16	24	27	14 7/8	5,400
36	46	2 3/8	34 3/4	83 7/16	58 7/8	32	1 1/2	24	1	46 1/2	2	27 1/4	30 1/4	14 7/8	7,200
42	53	2 5/8	37 1/2	100 3/4	78	36	1 1/2	28	1 1/4	54	2	30 15/16	35 7/16	17	15,200
48	59 1/2	2 3/4	39	103 3/4	78	44	1 1/2	32	1 1/4	60 3/4	2	33 15/16	38 7/16	17	15,500

TURNS TO OPEN: (30"=587) (36"=705) (42"=1,056) (48"=1,200)  
 HANDWHEEL OPTIONAL: (30"&36"=24" DIAMETER) (42"&48"=28" DIAMETER)

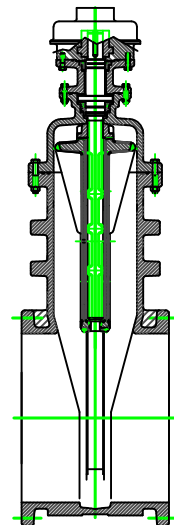
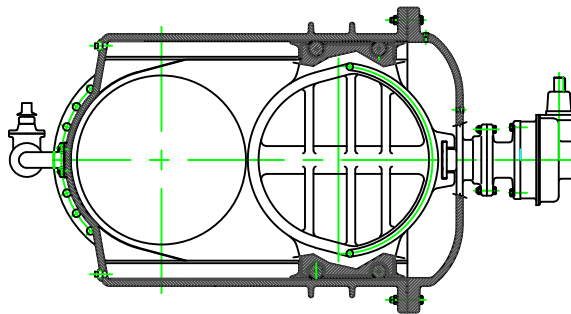
M&H VALVE COMPANY  
 ANNISTON, ALABAMA  
 A DIVISION OF MCWANE INC.

DWN: TRIJ  
 DATE: 9/1/12  
 DWG. NO.  
 LRW55BPV

30" THRU 48"  
 RESILIENT SEAT GATE VALVE  
 C515-STYLE 7572  
 (WITH BEVEL GEAR)(WITH BY-PASS)  
 (WITH ROLLERS, TRACKS, SCRAPPERS)  
 FLANGE X MJ

ITEM	DESCRIPTION	MATERIAL	ASTM SPEC.
1	BODY	DUCTILE IRON	ASTM A536 64-45-12
2	BOLT	STAINLESS STEEL	AISI 18-8 SS
3	NUT	STAINLESS STEEL	AISI 18-8 SS
4	WEDGE CASTING	DUCTILE IRON	ASTM A536 64-45-12
5	MOLDED RUBBER ON WEDGE	RUBBER	EPDM
6	STEM NUT	COPPER ALLOY	ASTM B763 C87610
7	EXTENSION-ACTUATOR	DUCTILE IRON	ASTM A536 64-45-12
8	BOLT	STAINLESS STEEL	AISI 18-8 SS
9	NUT	STAINLESS STEEL	AISI 18-8 SS
10	KEY	STEEL	-----
11	BEVEL GEAR ACTUATOR	(PURCHASED PART)	-----
12	O-RING	RUBBER	EPDM
13	BOLT	STAINLESS STEEL	AISI 18-8 SS
14	BUSHING-STEM GUIDE	COPPER ALLOY	ASTM B584 C83600
15	O-RING	RUBBER	EPDM
16	THRUST BEARING	NYLATRON	-----
17	O-RING	RUBBER	EPDM
18	COVER BUSHING	COPPER ALLOY	ASTM B584 C83600
19	O-RING	RUBBER	EPDM
20	COVER	DUCTILE IRON	ASTM A536 65-45-12
21	O-RING-COVER OUTER	RUBBER	EPDM
22	STEM	COPPER ALLOY	ASTM B584 C86700
**23	PIPE PLUG	STAINLESS STEEL	AISI 316 SS
24	ACTUATOR DRIVE BUSHING	STEEL	-----
25	O-RING	RUBBER	EPDM
27	SCRAPER	COPPER ALLOY	ASTM B148 C95400
28	TRACK	STAINLESS STEEL	AISI 316 SS
29	ROLLER	COPPER ALLOY	ASTM B148 C95400
30	PIN-ROLLERS	STAINLESS STEEL	AISI 18-8 SS
31	O-RING-COVER INNER	RUBBER	EPDM
***32	BYPASS VALVE	DUCTILE IRON	PER AWWA C515
33	BYPASS ELBOWS	DUCTILE IRON	ASTM A536 65-45-12
**34	PIPE PLUGS	STAINLESS STEEL	AISI 316 SS

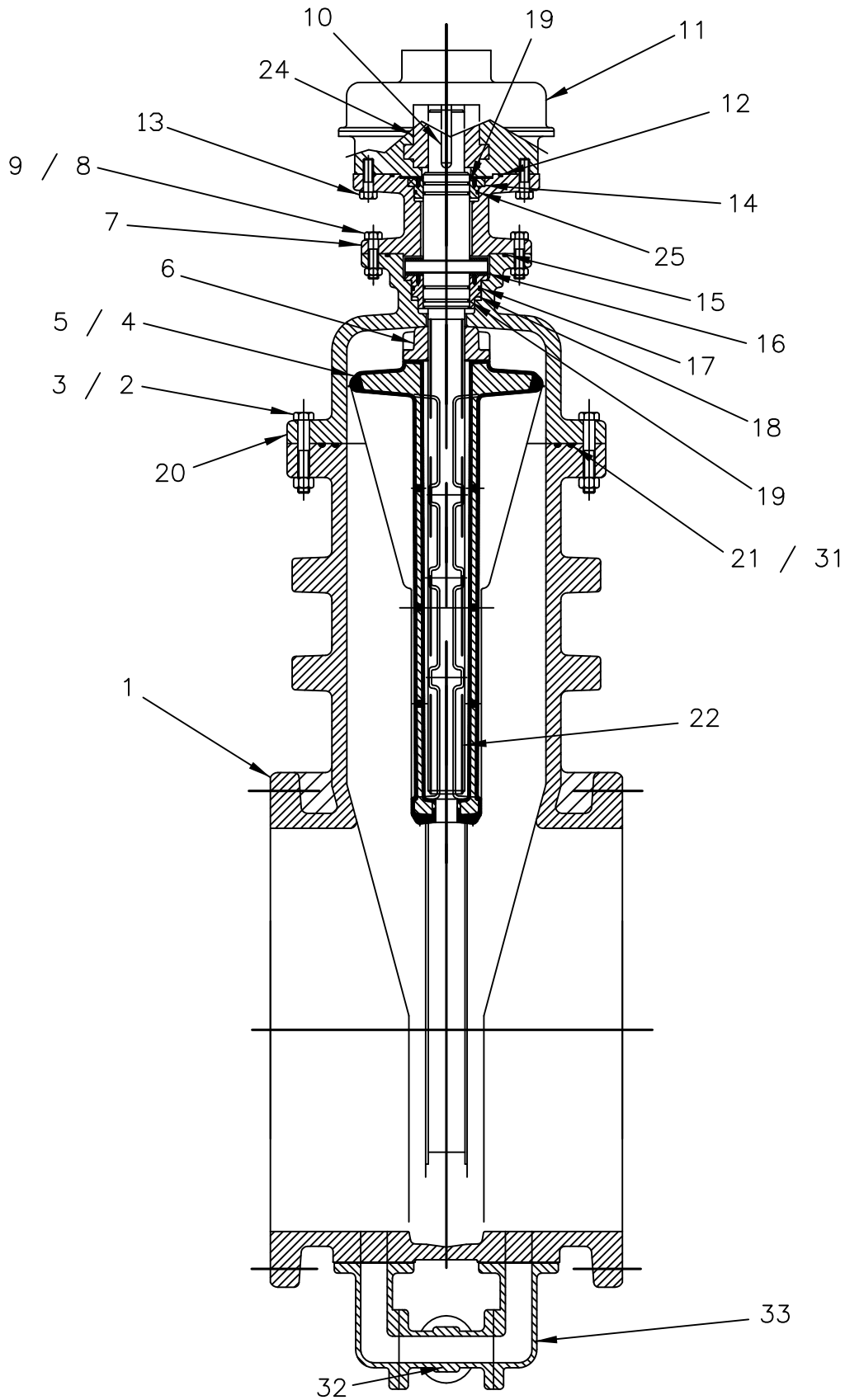
ACTUATOR RATIO (30" & 36" = 6:1) (42" - 54" = 8:1)  
 \*COVER PIPE PLUG SIZE (30" & 36" = 3/4") (42" - 54" = 1")  
 \*\*BODY PIPE PLUG SIZE (30" & 36" = 1 1/4") (42" - 54" = 1 1/2")  
 \*\*\*BY-PASS VALVE SIZE (30" & 36" = 2") (42" - 54" = 4")



M&H VALVE COMPANY  
 ANNISTON, ALABAMA  
 A DIVISION OF MCWANE INC.

DWN: CTJ  
 DATE: 7/24/19  
 DWG. NO.  
 LRW52BPV

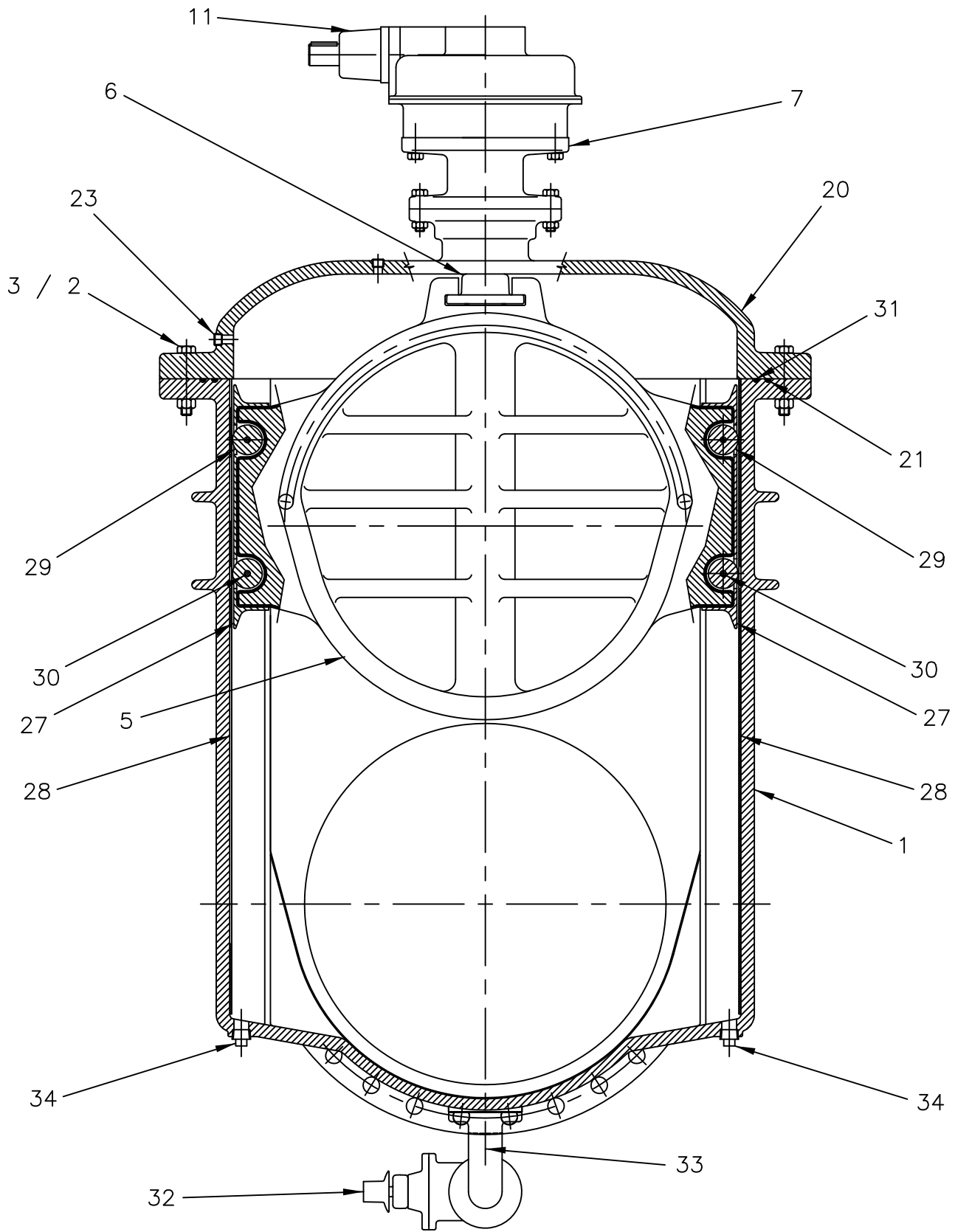
30" THRU 54"  
 RESILIENT SEAT GATE VALVE  
 C515-SERIES 7000  
 (WITH BEVEL GEAR)(WITH BY-PASS)  
 (WITH ROLLERS, TRACKS, SCRAPPERS)  
 MATERIAL LIST



M&H VALVE COMPANY  
ANNISTON, ALABAMA  
A DIVISION OF MCWANE INC.

DWN: TRIJ  
DATE: 9/1/12  
DWG. NO.  
LRW50BPV

30" THRU 54"  
RESILIENT SEAT GATE VALVE  
C515-7000 SERIES  
(WITH BEVEL GEAR)(WITH BY PASS)  
(WITH ROLLERS, TRACKS, SCRAPPERS)  
ASSEMBLY DRAWING 1



M&H VALVE COMPANY  
ANNISTON, ALABAMA  
A DIVISION OF MCWANE INC.

DWN: TRIJ  
DATE: 9/1/12  
DWG. NO.  
LRW51BPV

30" THRU 54"  
RESILIENT SEAT GATE VALVE  
C515-7000 SERIES  
(WITH BEVEL GEAR)(WITH BY-PASS)  
(WITH ROLLERS, TRACKS, SCRAPPERS)  
ASSEMBLY DRAWING 2