

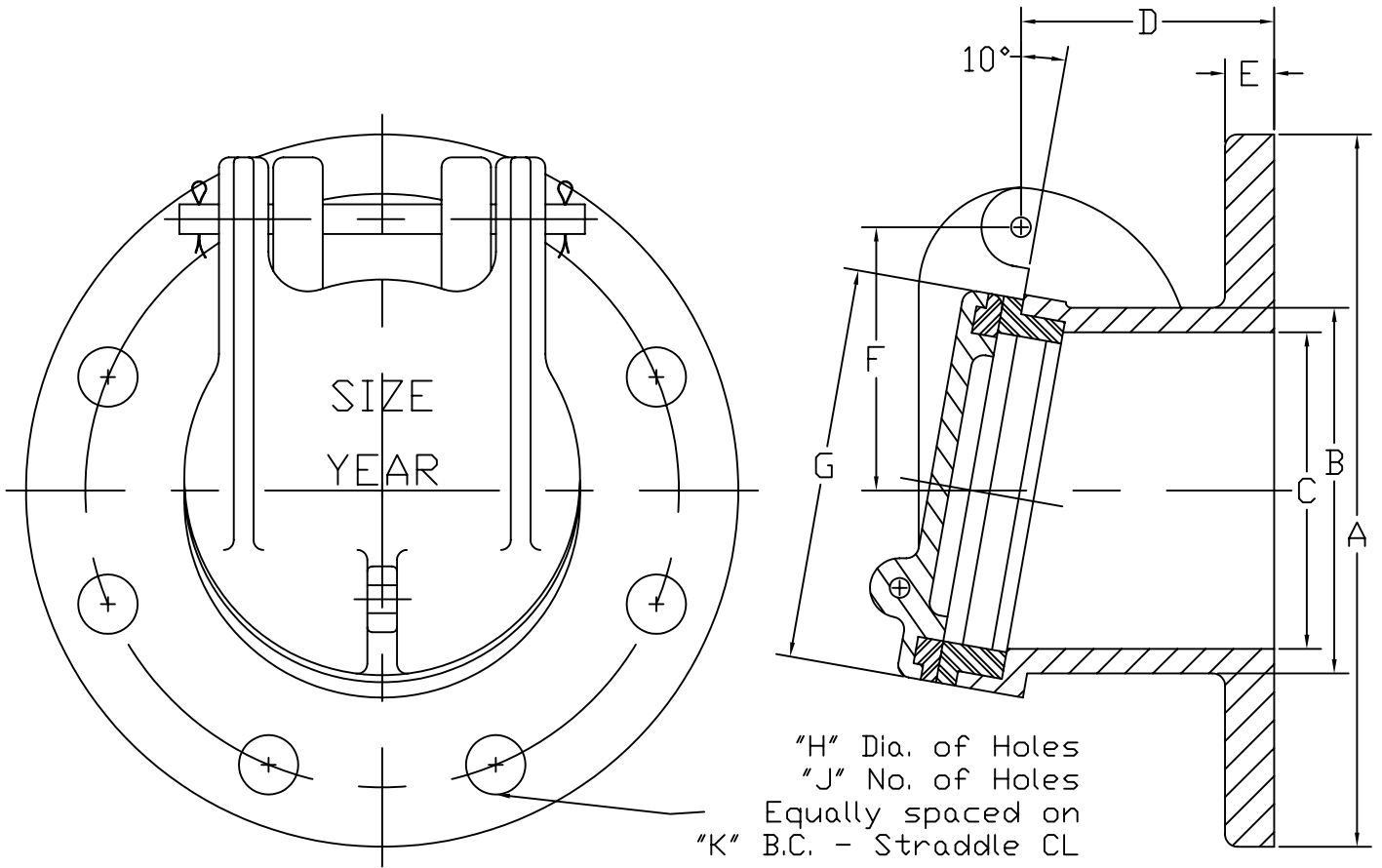
PARTS LIST

| ITEM | DESCRIPTION | REQ'D | MATERIAL |
|------|-------------|-------|----------------------|
| 1 | F/V DISC | 1 | CAST IRON A126 CL. B |
| 2 | DISC RING | 1 | BRONZE B62 |
| 3 | SEAT RING | 1 | BRONZE B62 |
| 4 | F/V BODY | 1 | CAST IRON A126 CL. B |
| 5 | COTTER PIN | 2 | BRASS CDA360 |
| 6 | HINGE PIN | 1 | BRASS CDA360 |

M&H VALVE COMPANY
ANNISTON, ALABAMA
A DIVISION OF MCWANE INC.

DWN: TRIJ
DATE: 7/1/05
DWG. NO.
FV-A1

4" THRU 30" FLAP VALVES
VALVE ASSEMBLY / MATERIAL LIST
STYLE 47-02
FLANGED END



DIMENSIONS

| ITEM | A | B | C | D | E | F | G | H | J | K |
|------|-------|-------|-------|------|------|-------|-------|------|----|-------|
| 4 | 9.00 | 4.62 | 4.00 | 3.25 | .62 | 3.44 | 5.00 | .75 | 8 | 7.50 |
| 6 | 11.00 | 6.75 | 6.00 | 3.50 | .69 | 4.50 | 7.00 | .88 | 8 | 9.50 |
| 8 | 13.50 | 8.75 | 8.00 | 4.00 | .75 | 5.62 | 9.25 | .88 | 8 | 11.75 |
| 10 | 16.00 | 10.88 | 10.00 | 4.50 | .81 | 6.88 | 11.50 | 1.00 | 12 | 14.25 |
| 12 | 19.00 | 13.00 | 12.00 | 4.50 | .88 | 7.91 | 13.50 | 1.00 | 12 | 17.00 |
| 14 | 21.00 | 15.75 | 14.50 | 4.62 | 1.19 | 9.12 | 15.75 | 1.12 | 12 | 18.75 |
| 16 | 23.50 | 18.06 | 16.69 | 4.50 | 1.25 | 10.25 | 18.00 | 1.12 | 16 | 21.25 |
| 18 | 25.00 | 19.75 | 18.50 | 7.50 | 1.12 | 11.62 | 20.00 | 1.25 | 16 | 22.75 |
| 20 | 27.50 | 22.00 | 20.62 | 6.00 | 1.12 | 12.69 | 22.25 | 1.25 | 20 | 25.00 |
| 24 | 32.00 | 25.75 | 24.00 | 6.56 | 1.38 | 14.53 | 26.25 | 1.38 | 20 | 29.50 |
| 30 | 38.75 | 31.50 | 30.00 | 8.50 | 1.50 | 17.88 | 32.75 | 1.00 | 28 | 36.00 |

M&H VALVE COMPANY
ANNISTON, ALABAMA
A DIVISION OF MCWANE INC.

DWN: TRIJ
DATE: 7/1/05
DWG. NO.
FV-A2

4" THRU 30" FLAP VALVES
GENERAL DIMENSIONS
STYLE 47-02
FLANGED END