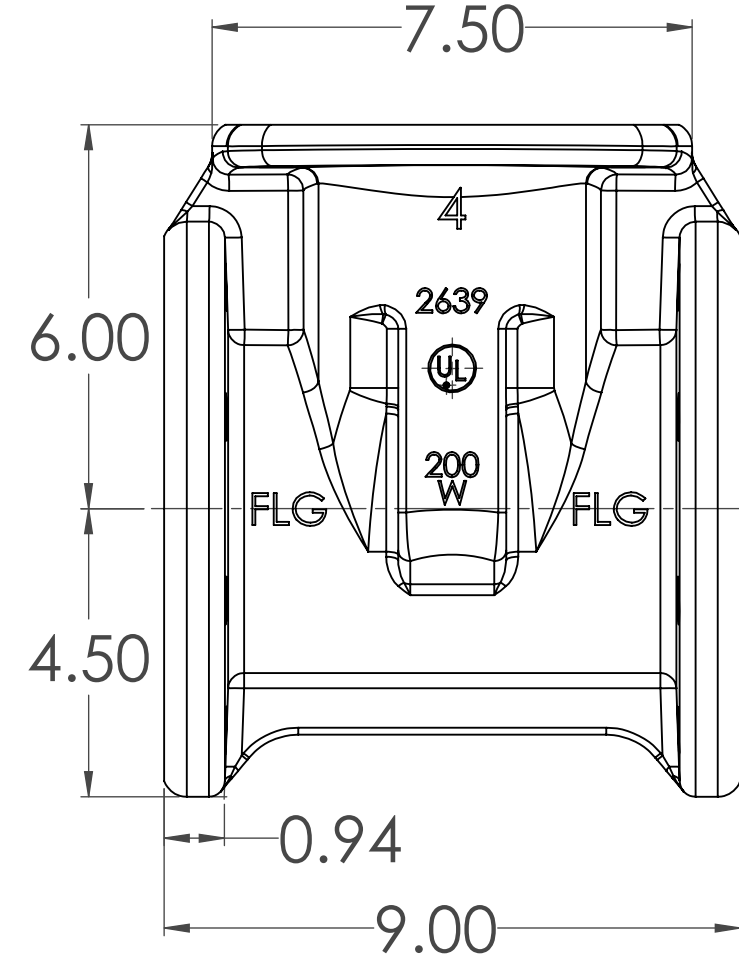
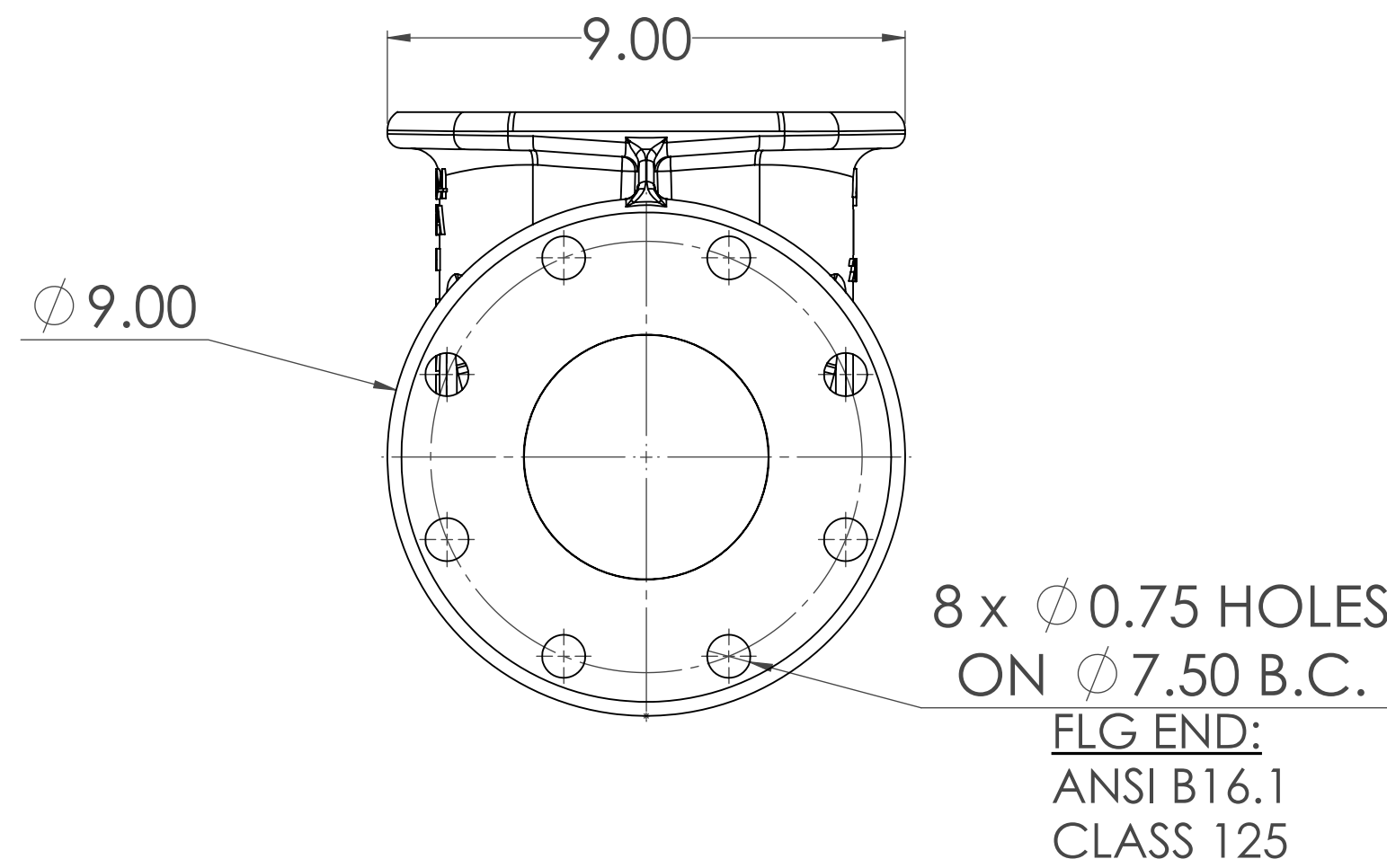
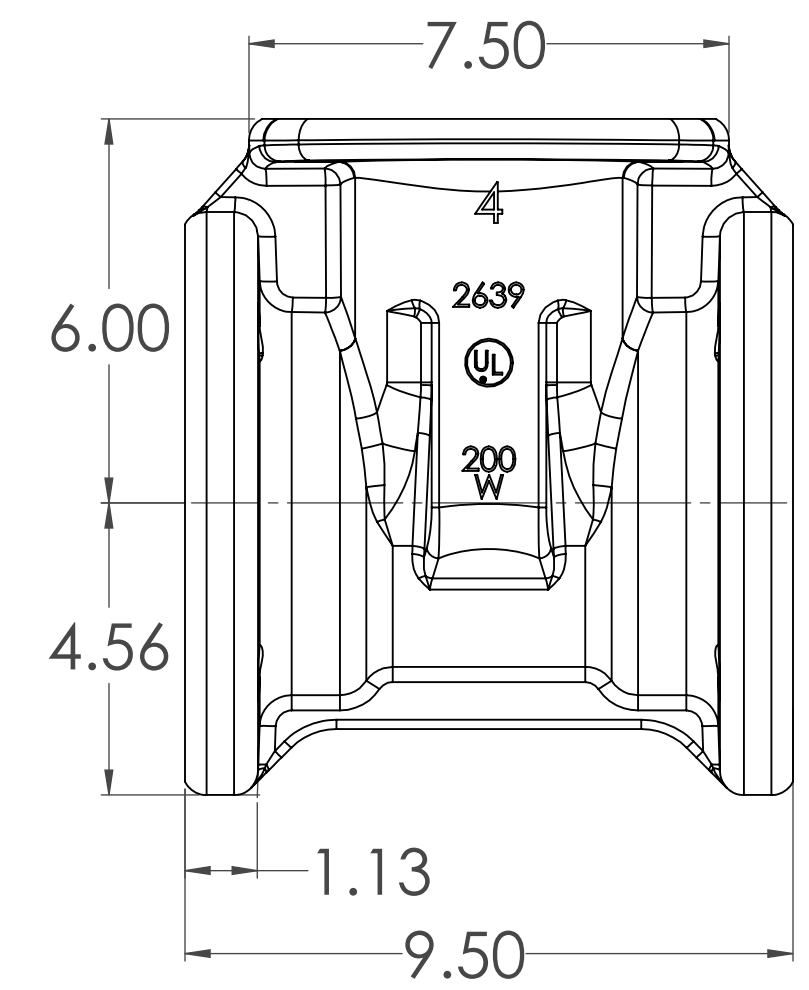
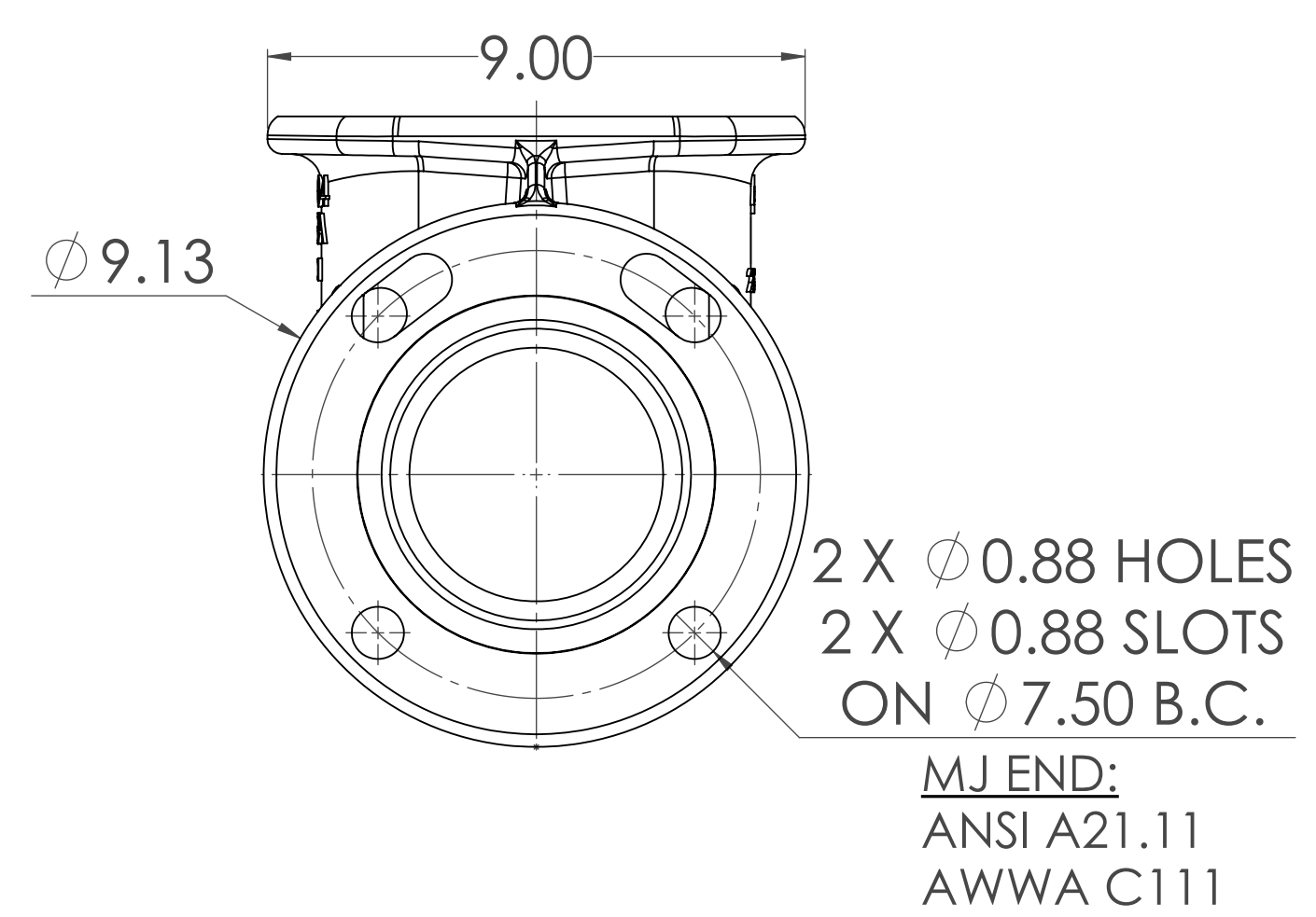


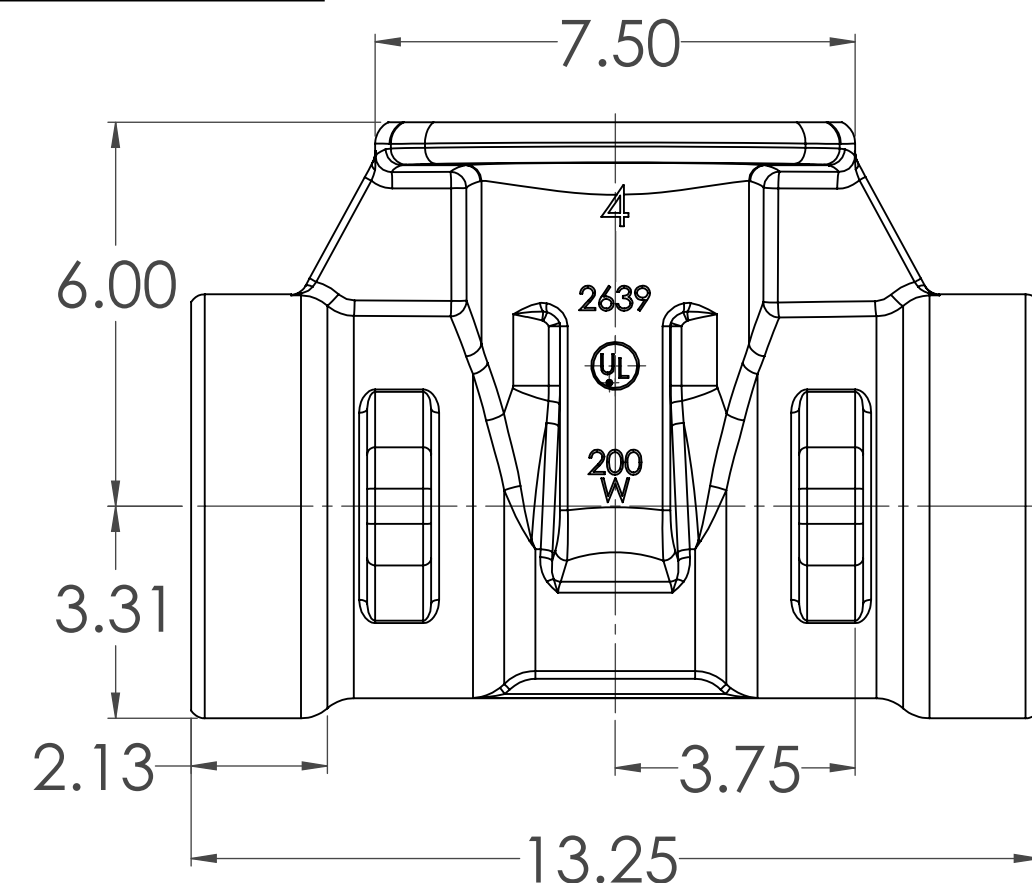
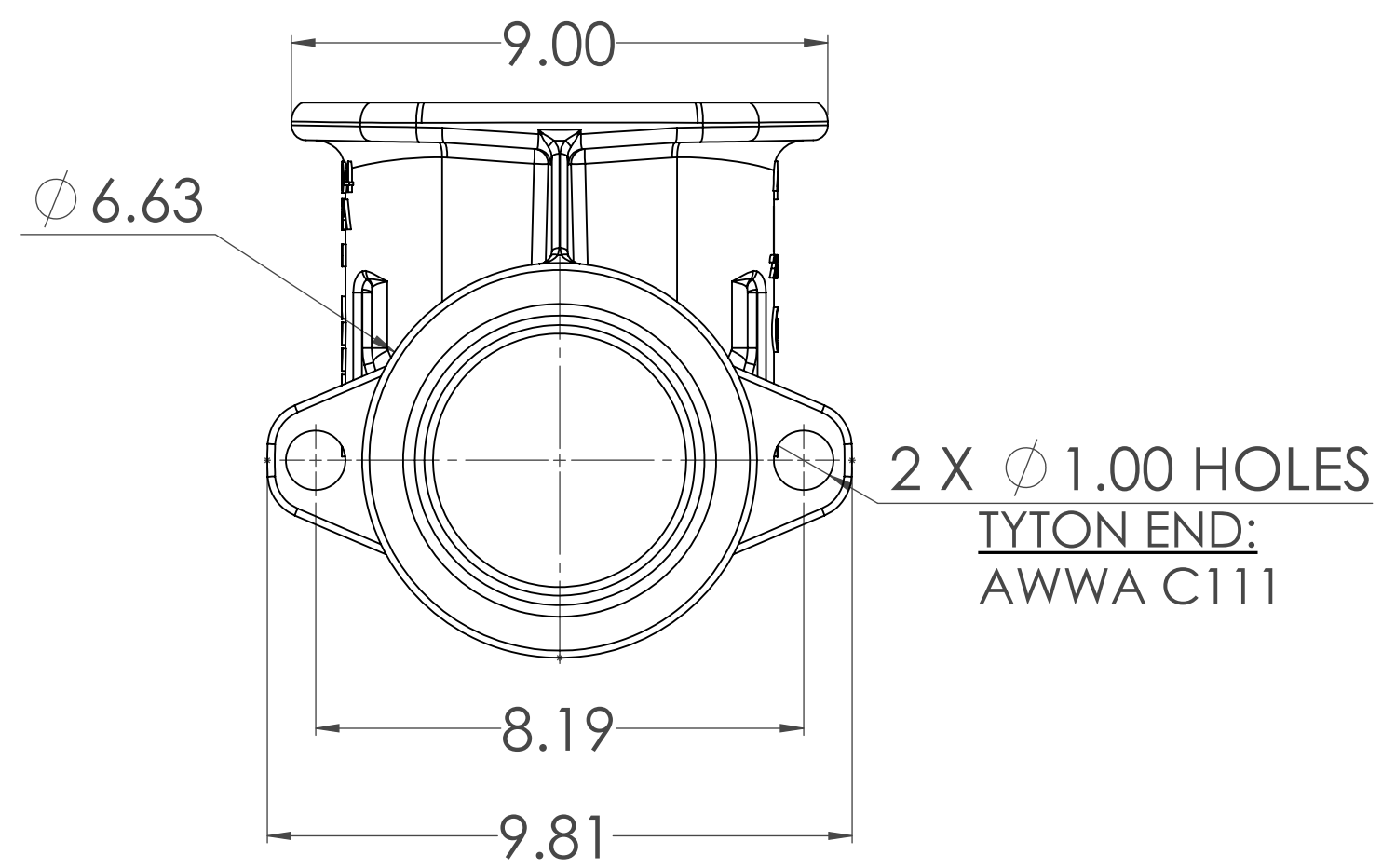
04" C509 FLG X FLG



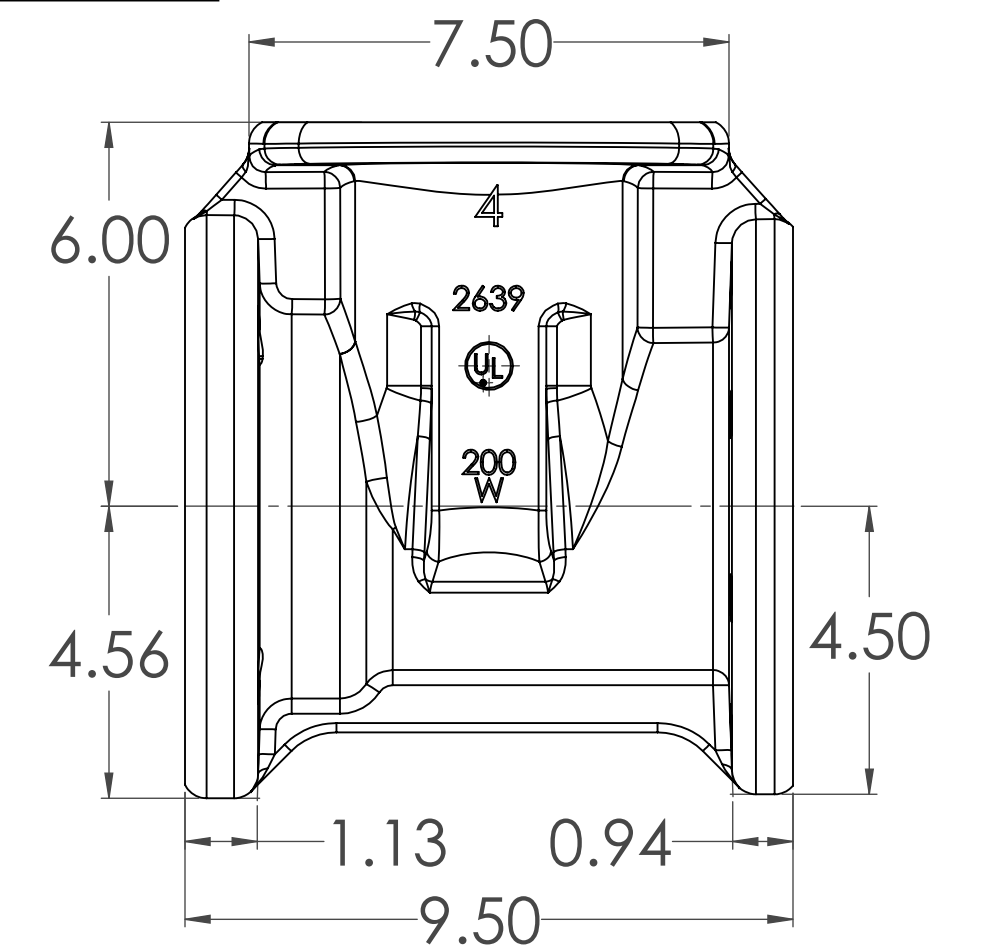
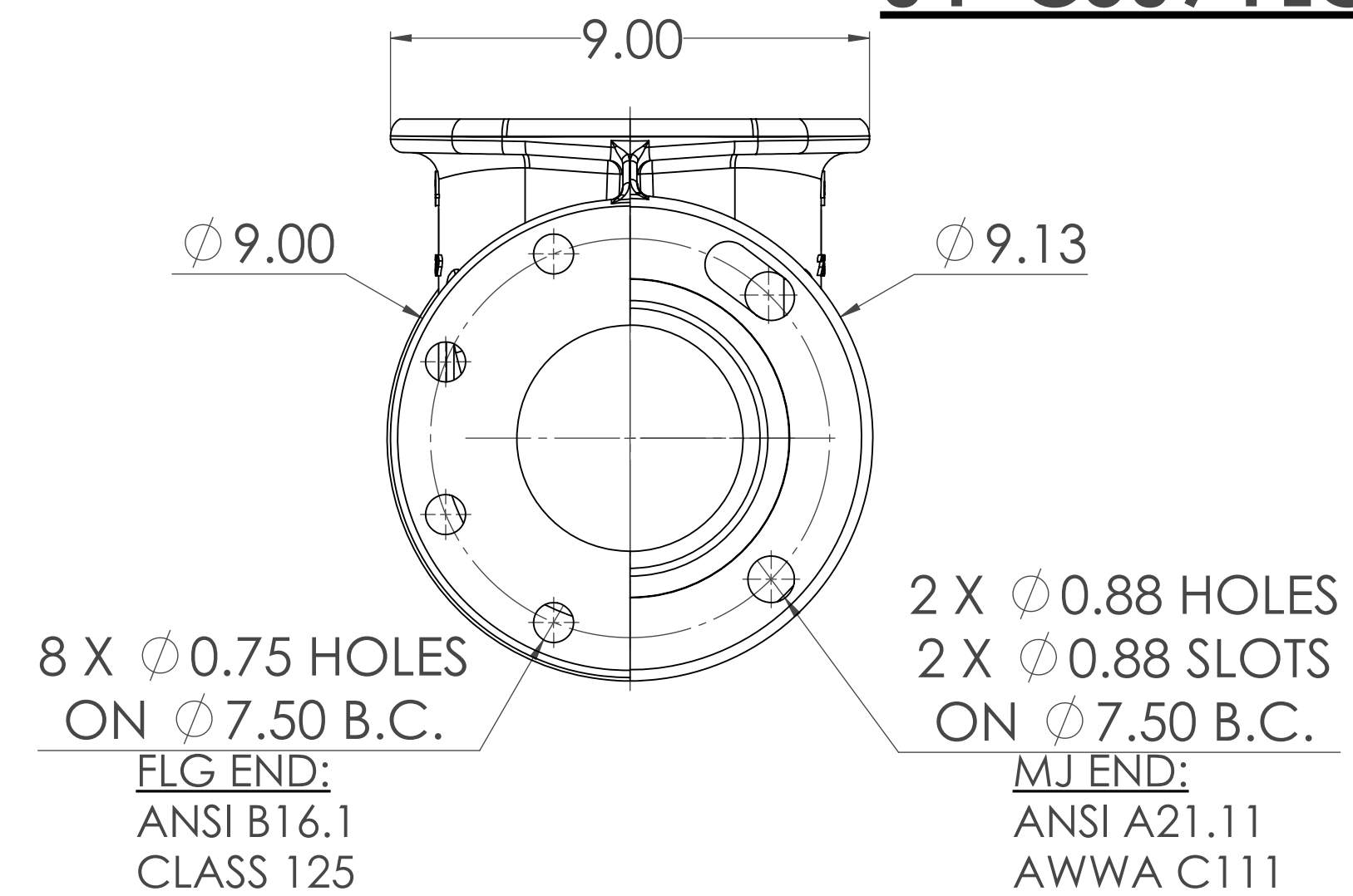
04" C509 MJ X MJ



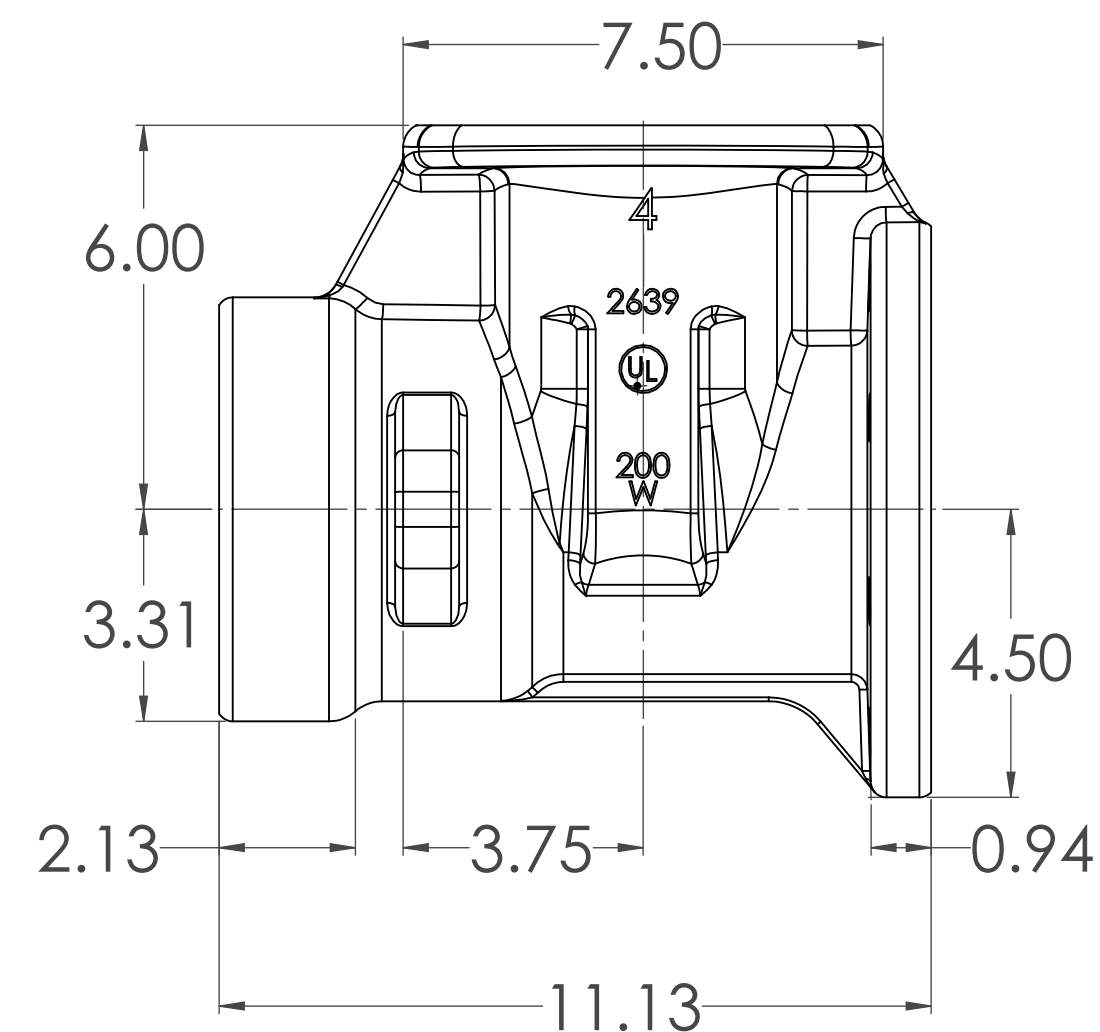
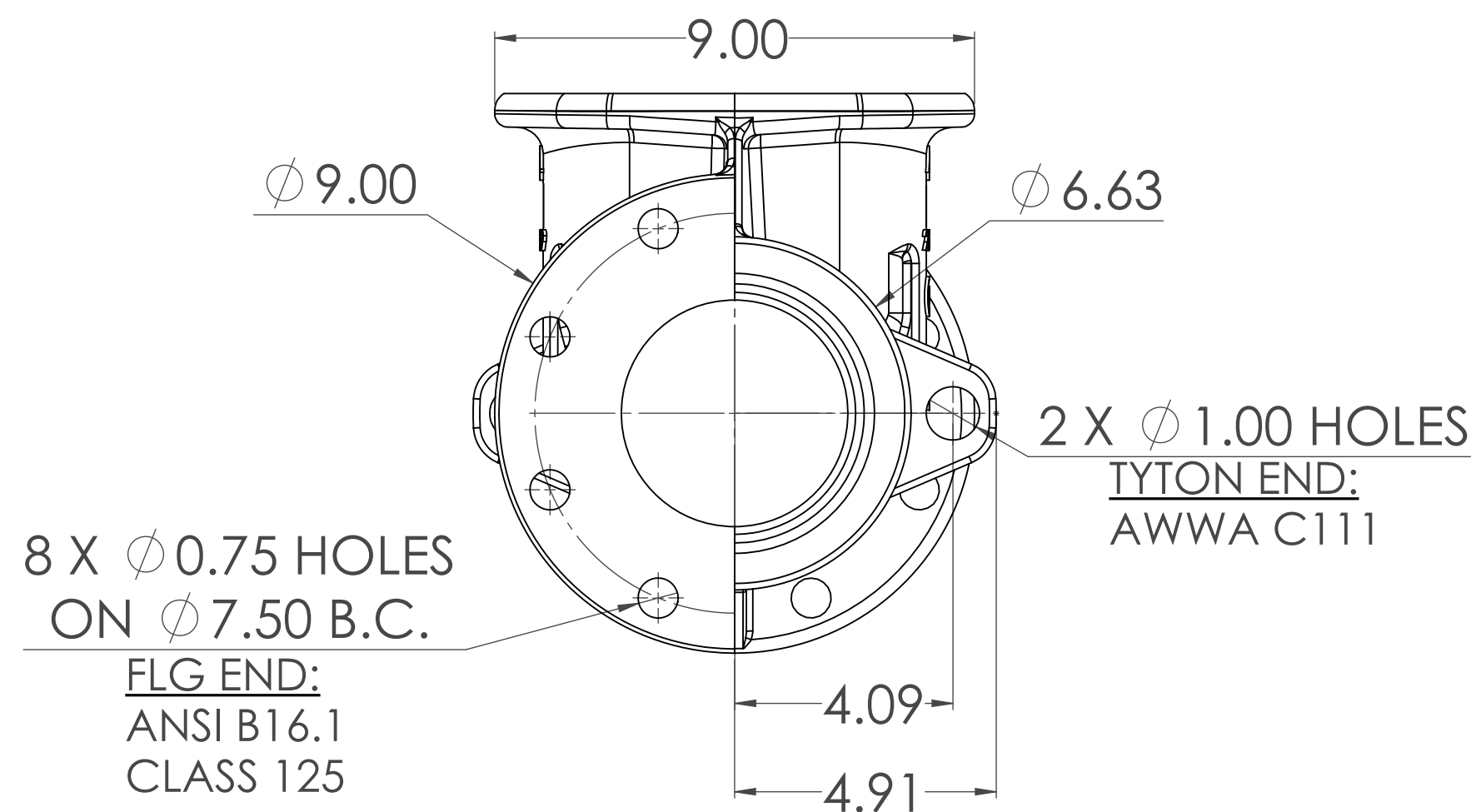
04" C509 TYTON X TYTON



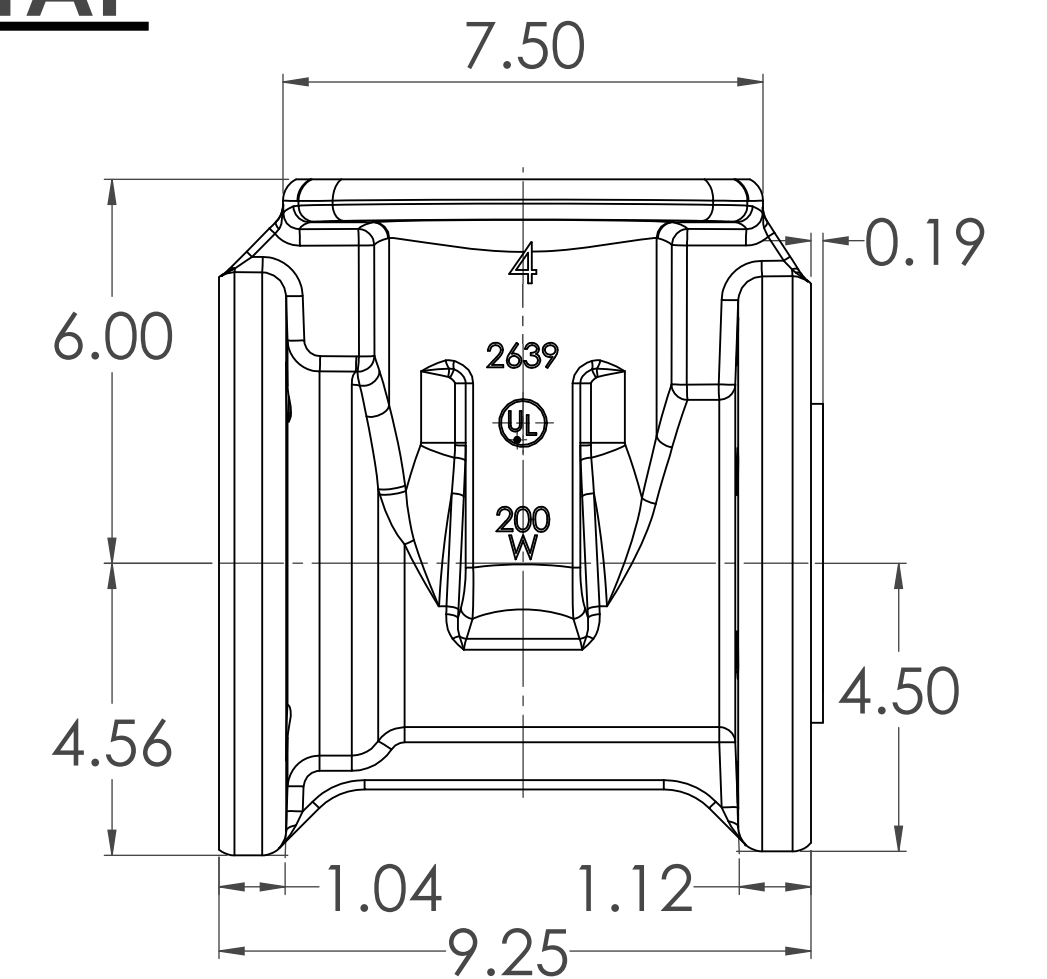
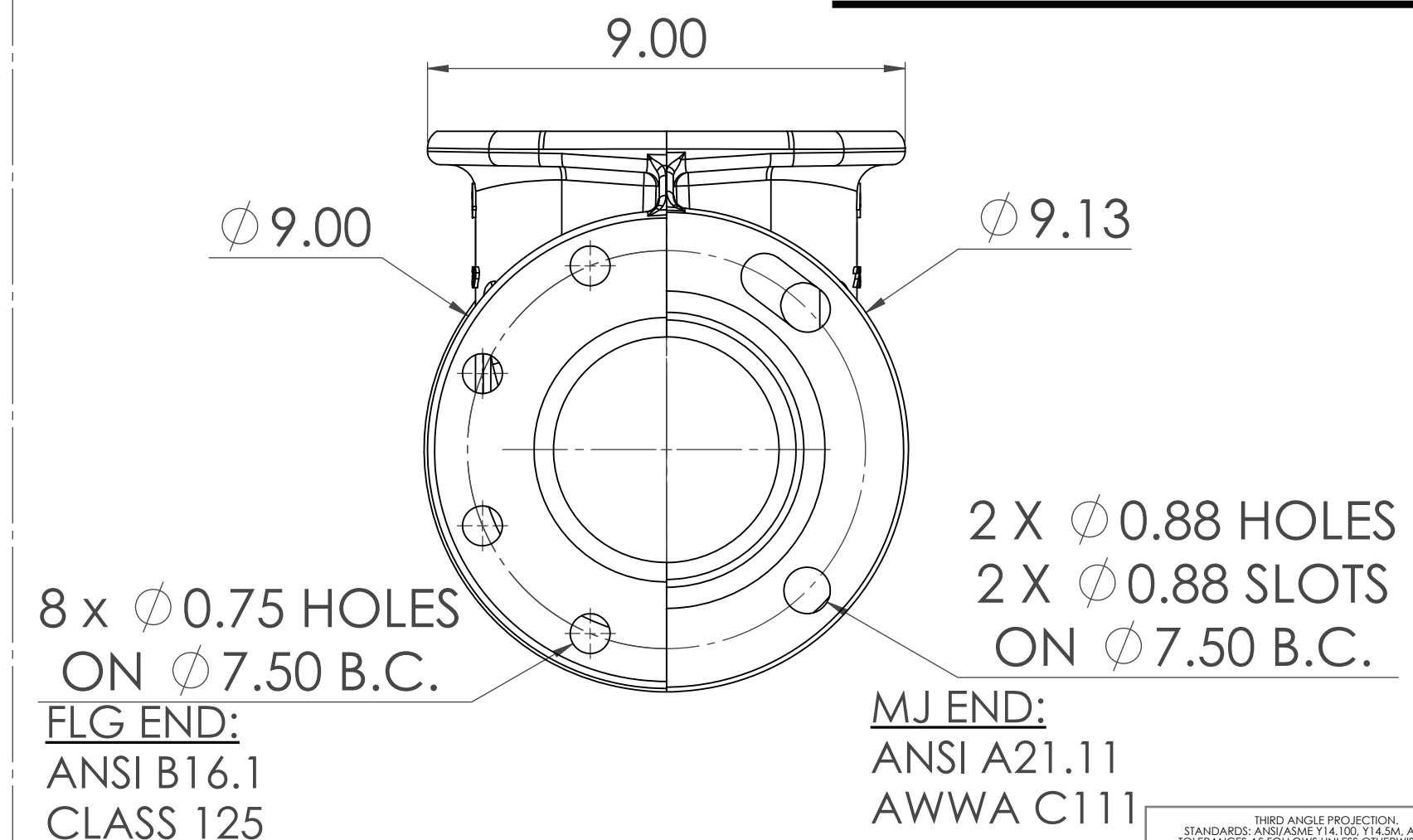
04" C509 FLG X MJ



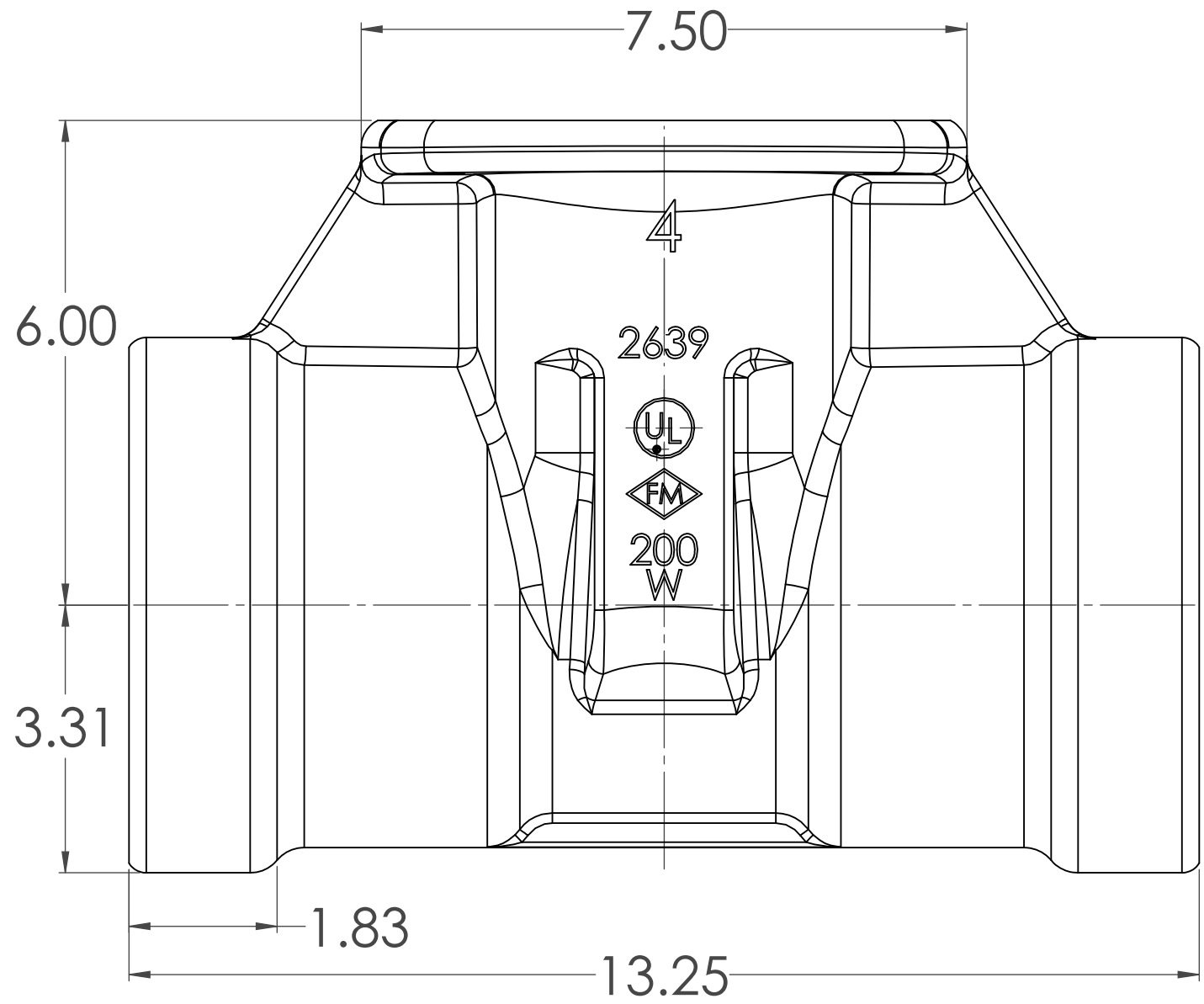
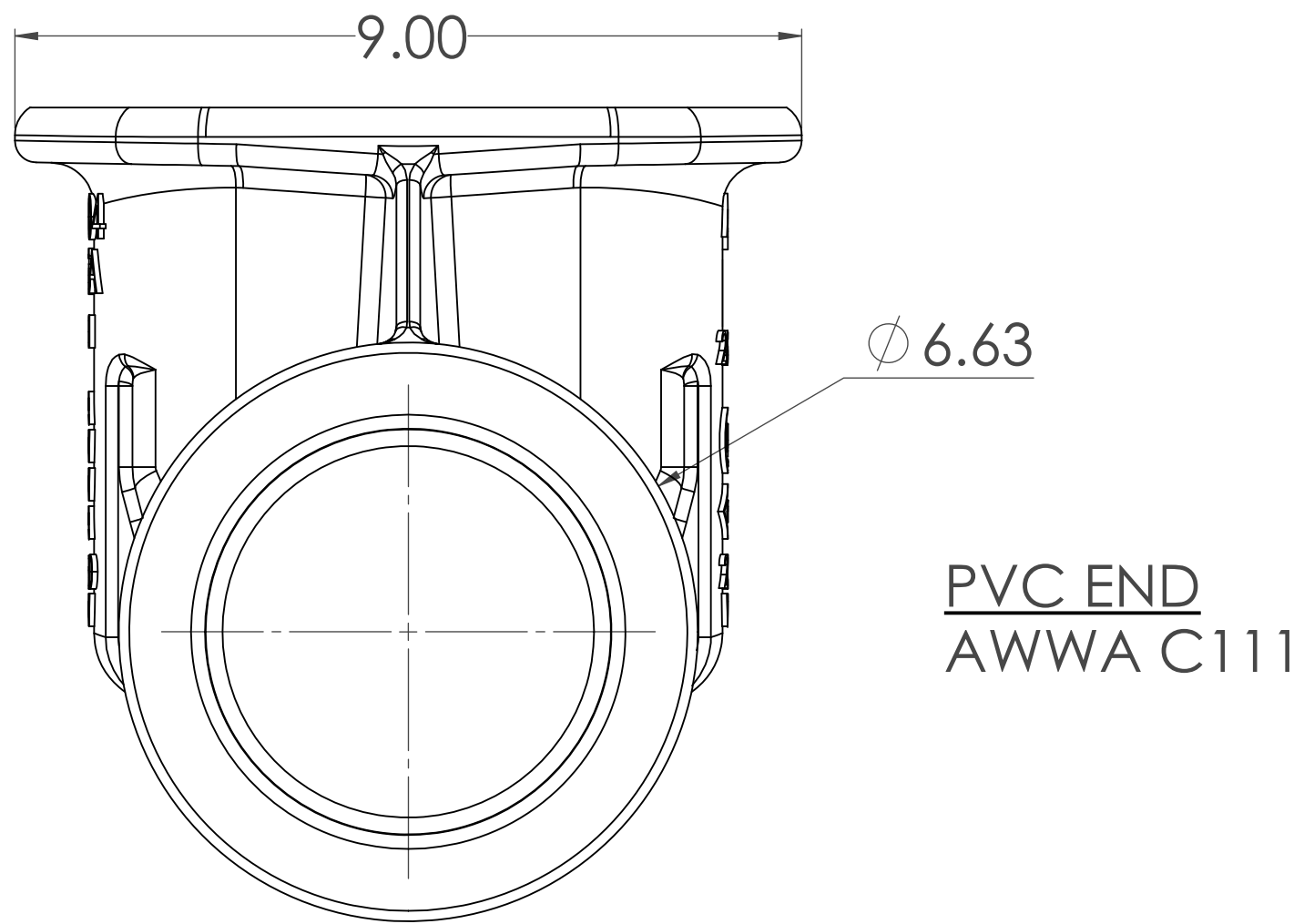
04" C509 FLG X TYTON



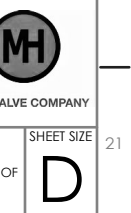
04" C509 MJ X TAP



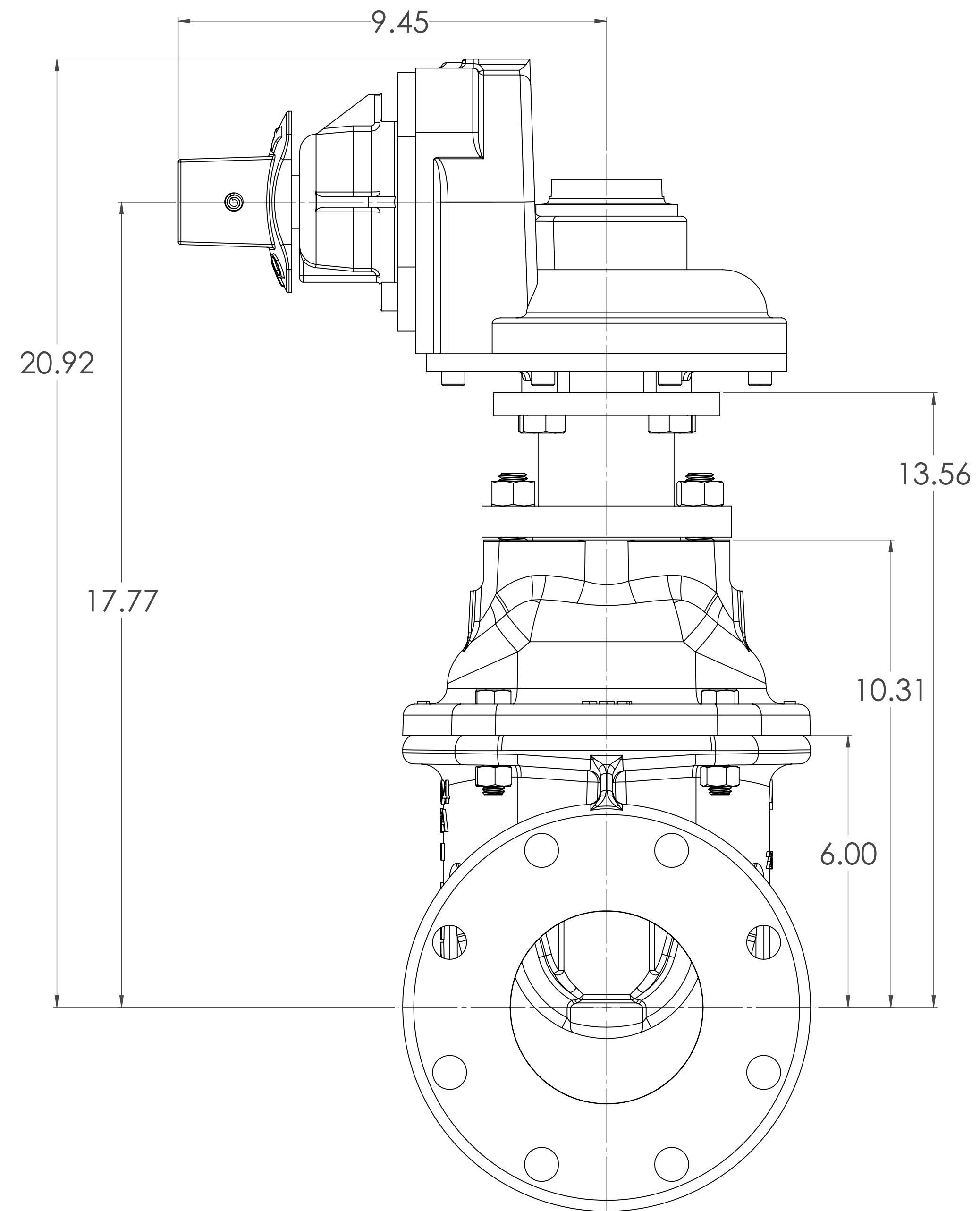
04" C509 PVC X PVC



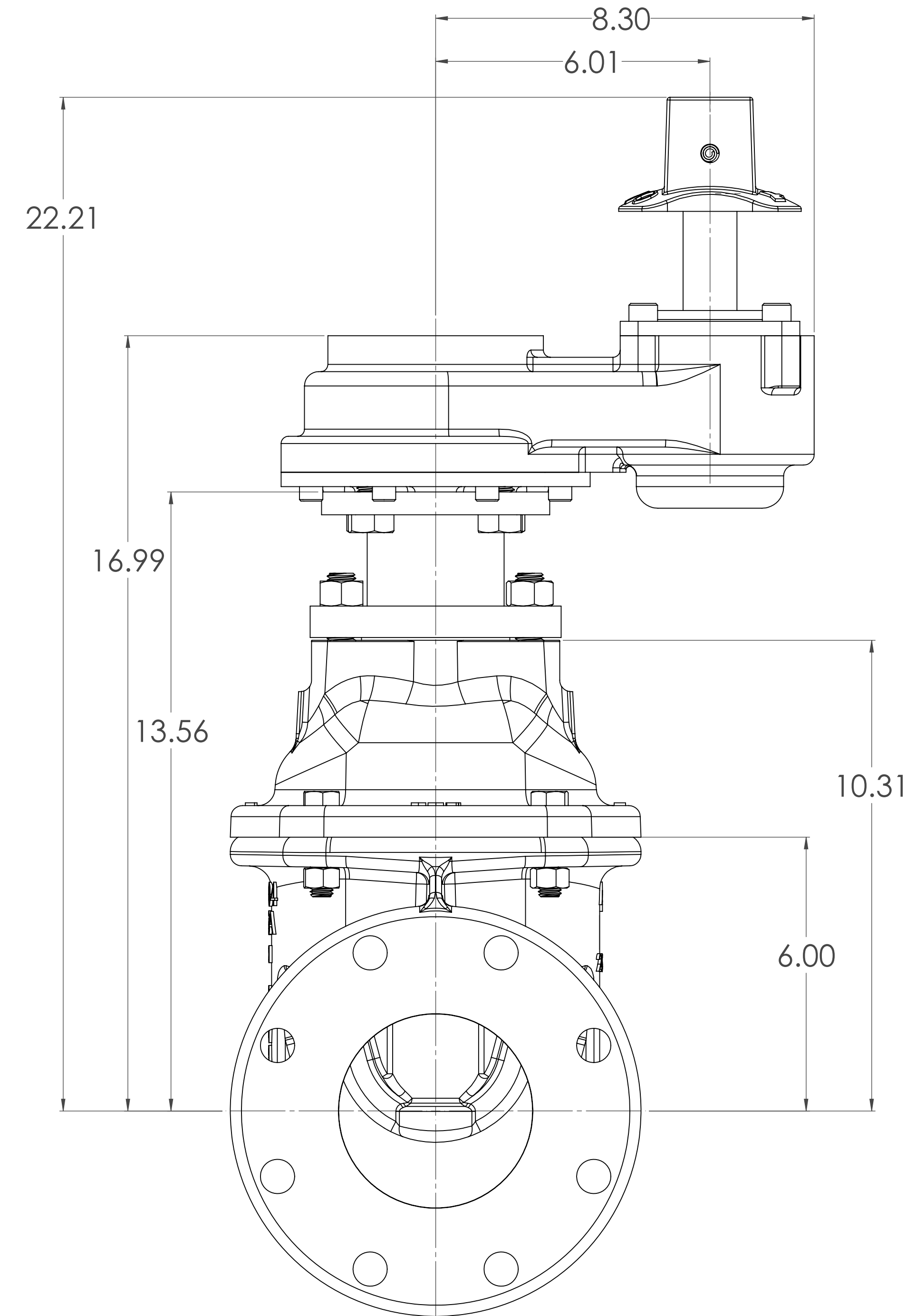
<small>THIRD ANGLE PROJECTION. STANDARDS: ANSI/ASME Y14.100, Y14.1M, AND Y14.1M-1. TOLERANCES: AS FOLLOWS UNLESS OTHERWISE SPECIFIED.</small>		<small>PROPERTY OF INCIPIENT CORPORATION. ALL RIGHTS AND DESIGN INFORMATION ARE PROPRIETARY TO INC. WAIVER OF CONFIDENTIALITY AND IS HEREBY DECLINED. INFORMATION IS TO BE KEPT CONFIDENTIAL UNLESS OTHERWISE ARRANGED. ALL RIGHTS RESERVED.</small>		<small>REVISION</small> B
<small>CASTING TOLERANCES</small> 0.4": ± 0.005 0.8": ± 0.004 1.2": ± 0.003 1.8": ± 0.002 MIN RADII: 1/8" FINISH: Z	<small>MACHINED DIMENSIONS</small> DECIMALS: ± 0.005 FRACTIONS: ± 0.004 ANGLE: ± 1° SURFACE FINISH: 125 μin RADIUS: 1/8"	<small>ESTIMATED WEIGHT</small> LBS.	<small>DESCRIPTION</small> 04" C509 NRS GEARED RESILIENT WEDGE GATE VALVE	<small>SHEET SIZE</small> 2 <small>SHEET OF</small> 8
<small>DESIGNED BY</small> CW	<small>CHECKED BY</small> CW	<small>DATE</small> 12/1/2020	<small>SCALE</small> 1:2	<small>SOFTWARE</small> Solidworks 2018 SP2



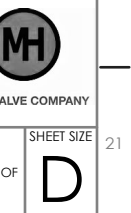
BEVEL GEAR OPERATING NUT



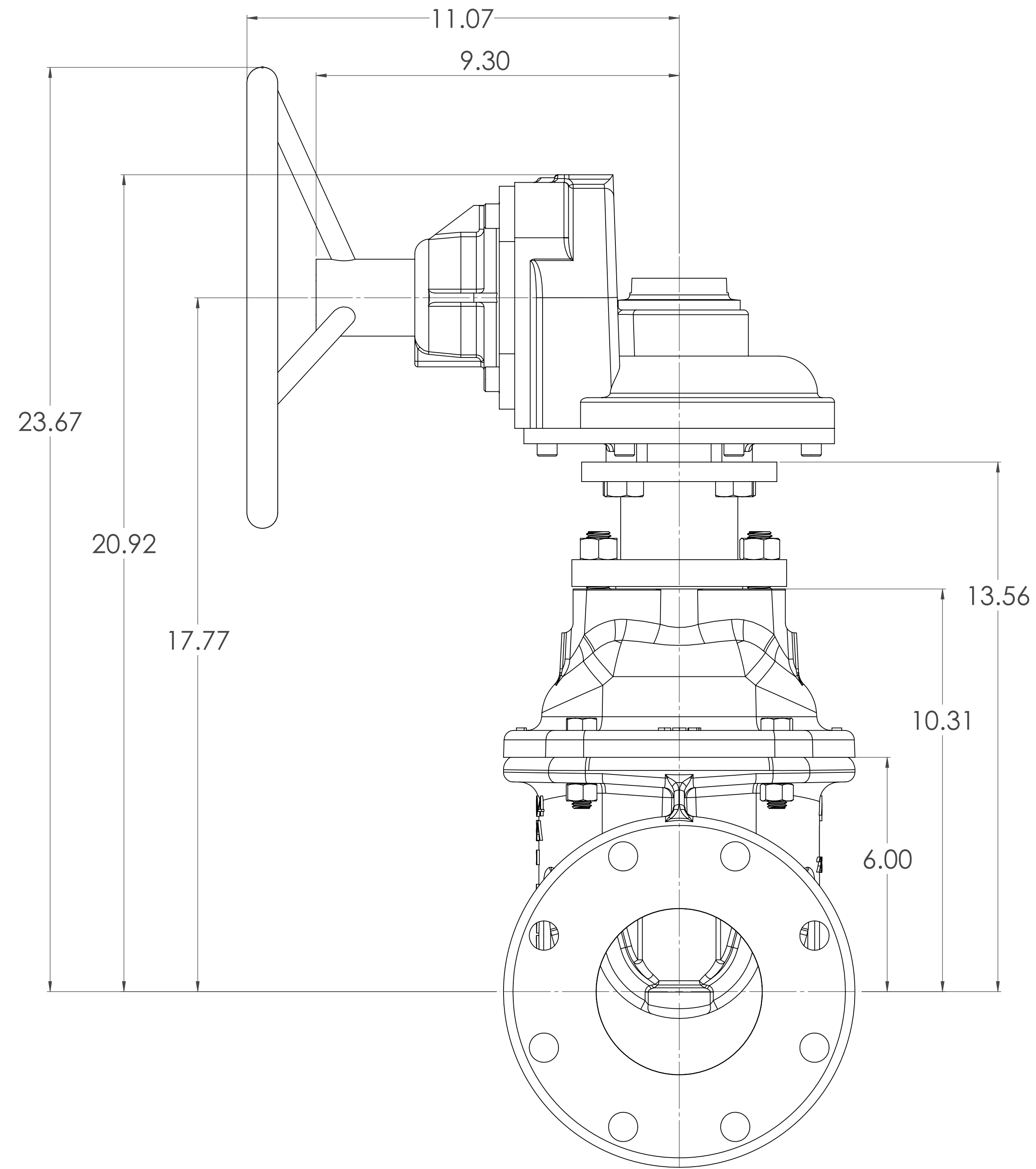
BEVEL GEAR HANDWHEEL



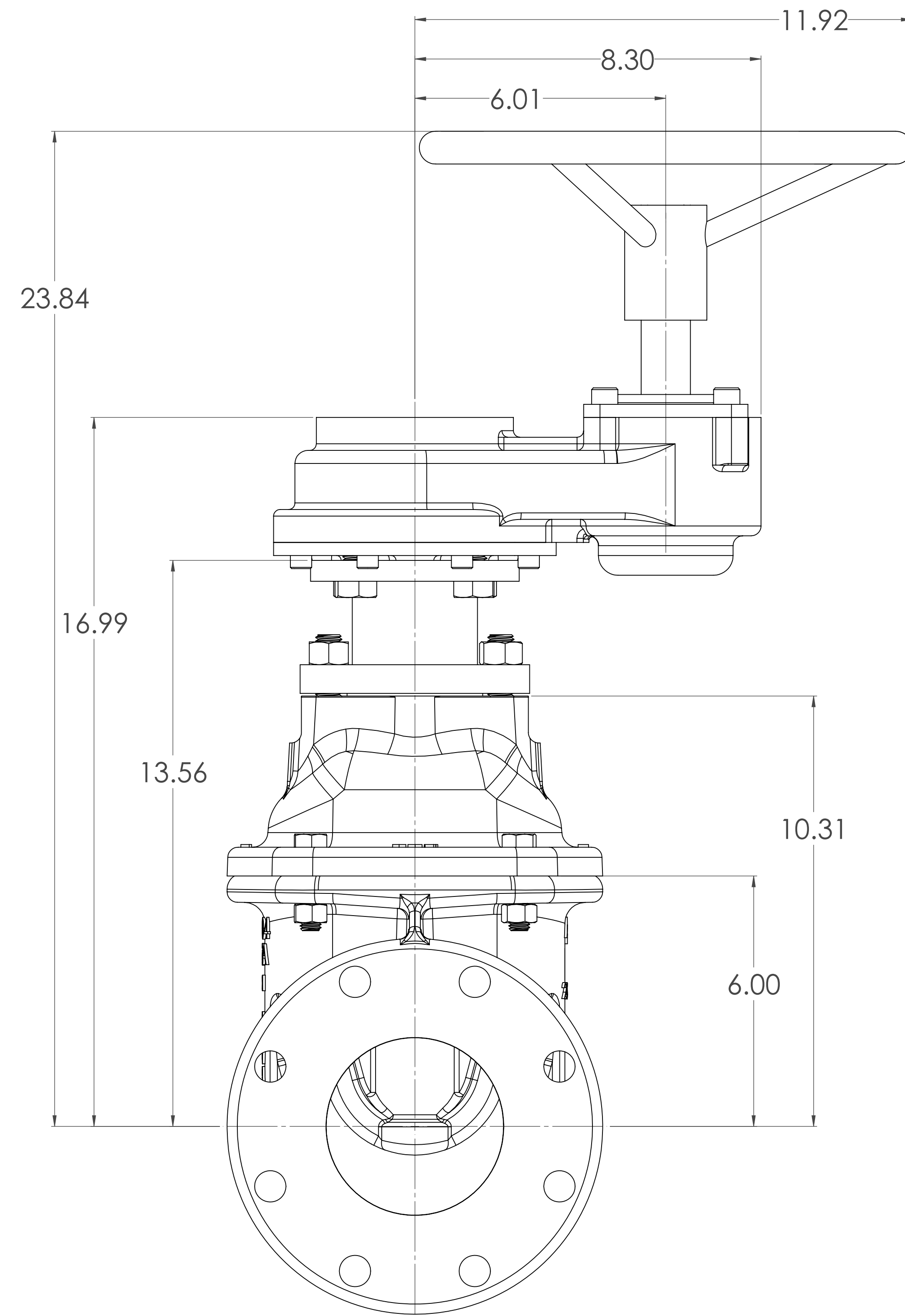
THIRD ANGLE PROJECTION STANDARDS: ANSI/ASME Y14.30, Y14.41, AND Y14.44 TOLERANCES: AS FOLLOWS UNLESS OTHERWISE SPECIFIED.		PROPERTY OF MCWANE CORPORATION. ALL DIMENSIONS AND IDENTIFICATION ARE PROPRIETARY TO MCWANE CORPORATION AND IS UNREPRODUCIBLE WITHOUT PERMISSION FROM MCWANE CORPORATION. ALL RIGHTS RESERVED.		SHEET NO: B
CASTING TOLERANCES 4-6": ± 0.025 6-8": ± 0.040 8-12": ± 0.050 12-18": ± 0.063 18-UP": ± 0.081 MIN RADIUS: 1/8" MIN DRAFT: 2°	MACHINED DIMENSIONS DECIMALS: ± 0.005 FRACTIONS: ± 1/16" ANGLE: ± 1° SURFACE FINISH: 125 μin RA: 1/8" MIN RADIUS: 1/8" MIN DRAFT: 2°	ESTIMATED WEIGHT	DESCRIPTION 04" C509 NRS GEARED LBS. RESILIENT WEDGE GATE VALVE	SHEET OF 3 OF 8
DESIGNED BY CW	DATE DRAWN 12/1/2020	CHECKED BY [Signature]	SCALE 1:5	SOFTWARE Solidworks 2018 SP2



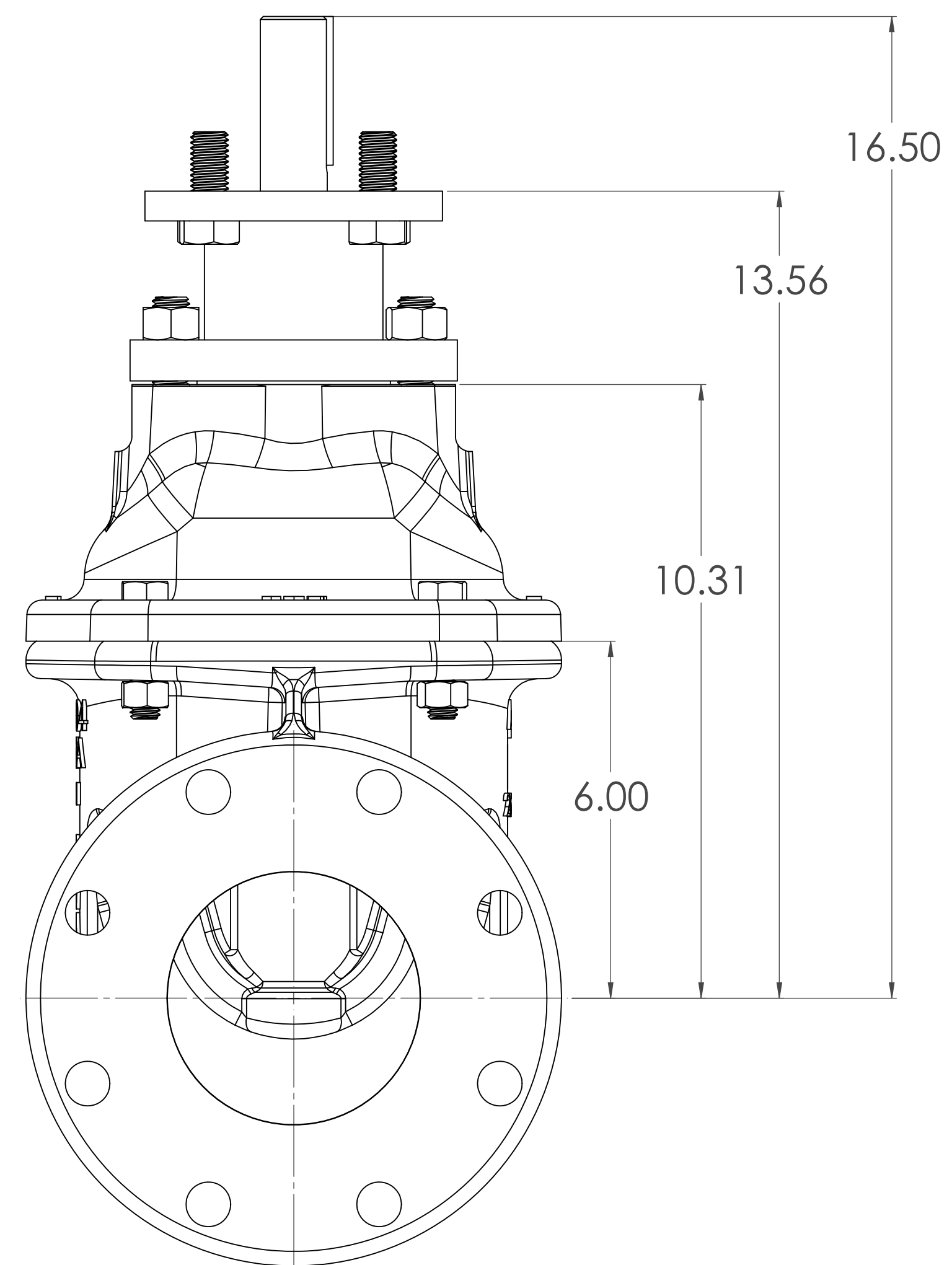
BEVEL GEAR HANDWHEEL



SPUR GEAR HANDWHEEL

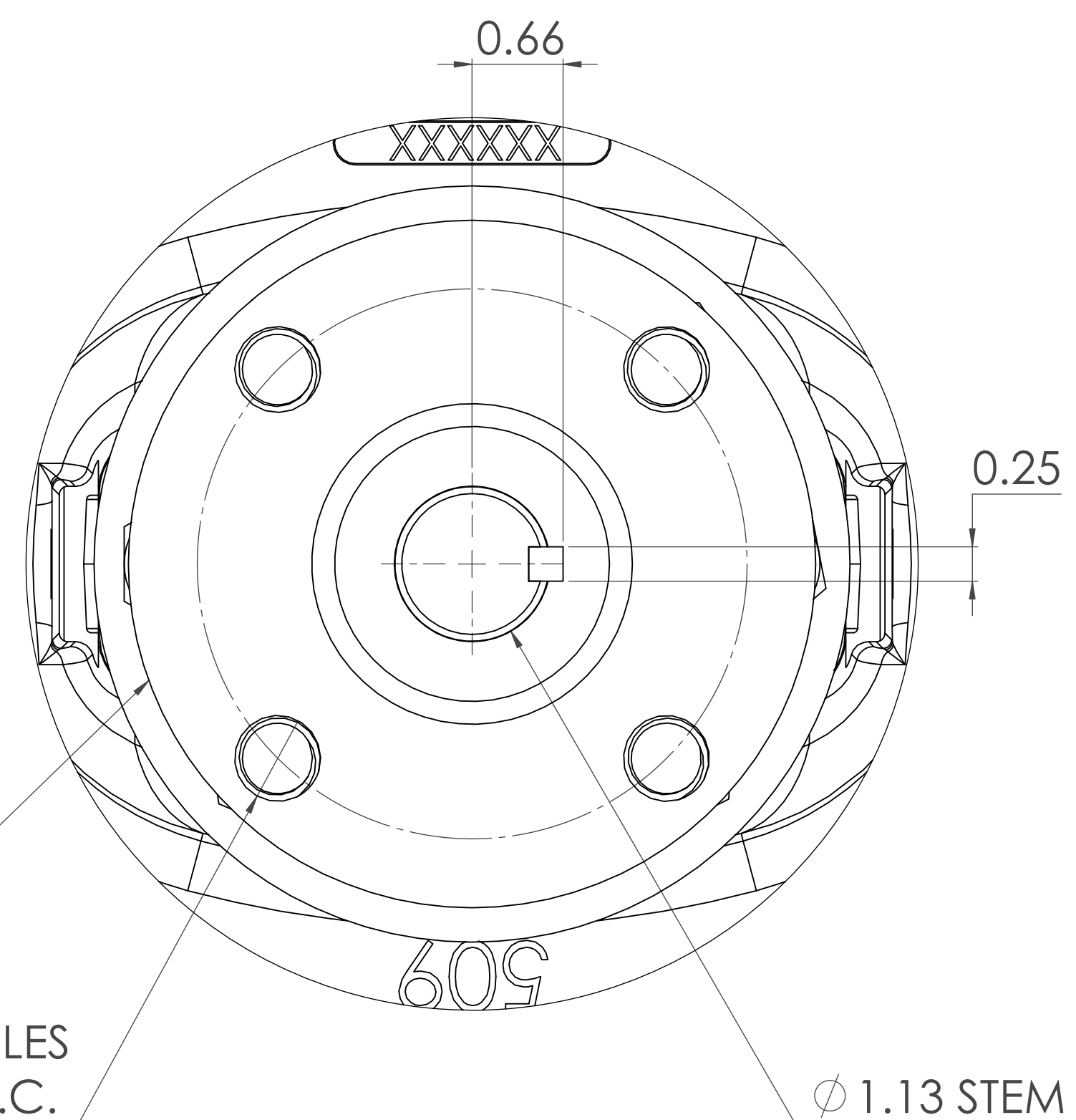


BARE STEM ASSEMBLY



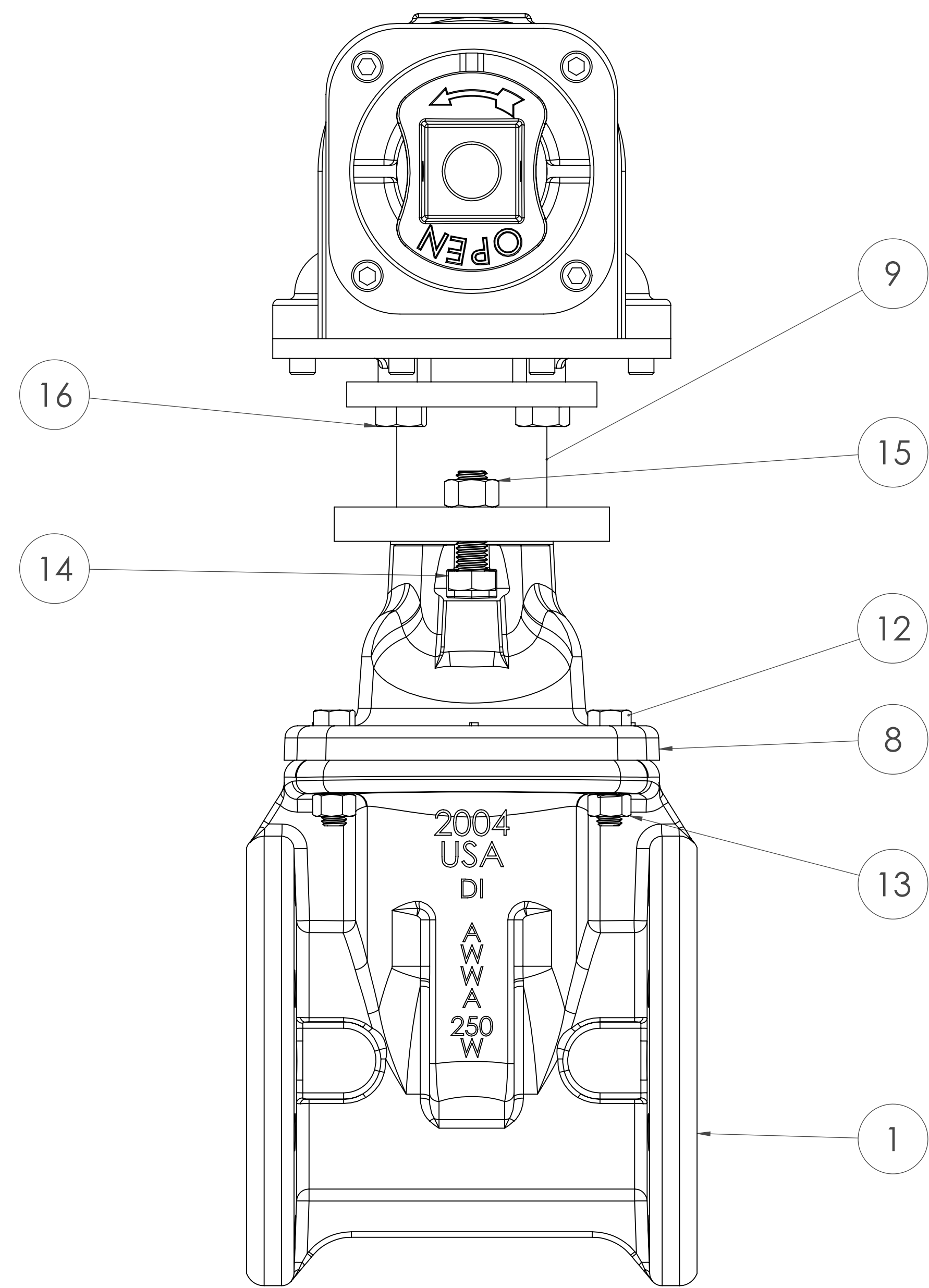
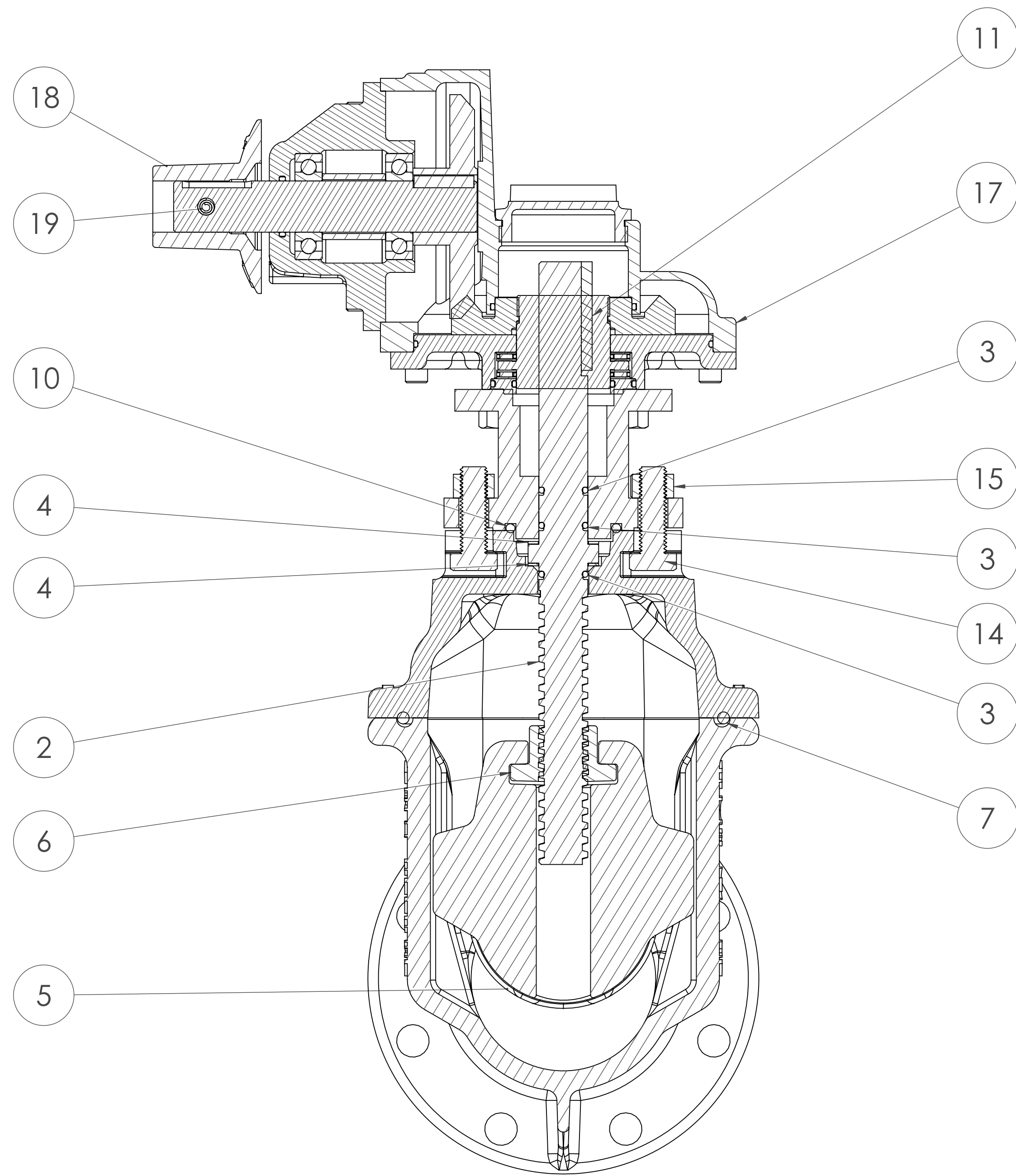
STANDARD FA10
MOUNTING

4 x \varnothing 0.63 HOLES
ON \varnothing 4.00 B.C.

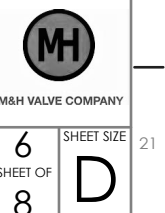


BARE STEM MOUNTING FLG

THIRD ANGLE PROJECTION STANDARD: ANSI/ASME Y14.10, Y14.11 AND Y14.13 TOLERANCES AS FOLLOWS UNLESS OTHERWISE SPECIFIED.		PROPERTY OF MCWANE CORPORATION. ALL DIMENSIONS AND IDENTIFICATION ARE PROPRIETARY TO MCWANE CORPORATION AND IS UNREPRODUCIBLE WITHOUT PERMISSION FROM MCWANE CORPORATION. ALL RIGHTS RESERVED.		SHEET NO. B
CASTING TOLERANCES 0.4": 1/32" 0.8": 1/16" 1.2": 1/8" 1.6": 3/32" 2.0": 1/4" MIN. RADIUS: 1/8" FINISH: Z	MACHINED DIMENSIONS DECIMALS: \pm 0.005 FRACTIONS: \pm 1/100 ANGLE: 1/4" SURFACE FINISH: 125 μ m RA: 1/8" MIN. RADIUS: 1/8" FINISH: Z	ESTIMATED WEIGHT 5	DESCRIPTION 04" C509 NRS GEARED RESILIENT WEDGE GATE VALVE	SHEET SIZE 5
DESIGNED BY CW	DATE DRAWN 12/1/2020	CHECKED BY CHE	SCALE 1:5	SHEET OF 8
Solidworks 2018 SP2				D



THIRD ANGLE PROJECTION STANDARDS: ANSI/ASME Y14.100, Y14.1, AND Y14.141 TOLERANCES AS FOLLOWS UNLESS OTHERWISE SPECIFIED.		PROPERTY OF MCWANE CORPORATION. ALL DIMENSIONS AND IDENTIFICATION ARE PROPRIETARY TO MCWANE CORPORATION AND IS UNREPRODUCIBLE WITHOUT PERMISSION IN WRITING OR BY ANY MEANS. OTHERWISE ARRANGED. ALL RIGHTS RESERVED.		SHEET NO. B
CASTING TOLERANCES 0.4": ± 0.005 0.8": ± 0.004 1.2": ± 0.003 1.6": ± 0.002 2.0": ± 0.001 MIN. RADIUS: 1/8" FINISH: Z		MACHINED DIMENSIONS DECIMALS: ± 0.005 FRACTIONS: ± 0.004 ANGLE: ± 1° SURFACE FINISH: 125 μin RADIUS: 1/8" MIN. RADIUS: 1/8" FINISH: Z		ESTIMATED WEIGHT LBS.
DESIGNED BY CW		DATE: 12/1/2020		CHECKED BY CH
DRAWN BY CW		DATE: 12/1/2020		SCALE: 1:10
DESCRIPTION 04" C509 NRS GEARED RESILIENT WEDGE GATE VALVE		SHEET NO. 6		SHEET OF 8
SOFTWARE Solidworks 2018 SP2		DRAWN BY CW		CHECKED BY CH



<u>ITEM NO.</u>	<u>COMPONENT</u>	<u>QTY.</u>	<u>SIZE</u>	<u>STANDARD MATERIAL</u>	<u>MATERIAL OPTIONS</u>
1	BODY	1	-	CAST IRON	DUCTILE IRON
2	STEM	1	-	C86200	C99500 (LOW ZINC), 304 SS, 316 SS
3	O-RING	3	#212	EPDM	BUNA-N
4	THRUST WASHER	2	-	ACETAL	C26000
5	WEDGE	1	-	EPDM/DUCTILE IRON	-
6	STEM NUT	1	-	C87850	C87610 (LOW ZINC)
7	O-RING	1	#437	EPDM	BUNA-N
8	COVER	1	-	CAST IRON	DUCTILE IRON
9	MOTOR MOUNT BRACKET	1	-	COLD ROLLED STEEL	-
10	O-RING	1	#331	EPDM	BUNA-N
11	STEM KEY	1	1/4" X 2 1/2"	COLD ROLLED STEEL	-
12	HEX HEAD CAP SCREW	4	1/2"-13 X 2"	18-8 SS	316 SS
13	HEX NUT	4	1/2"-13	18-8 SS	316 SS
14	HEX HEAD CAP SCREW	2	5/8"-11 X 2	18-8 SS	316 SS
15	HEX NUT	2	5/8"-11	18-8 SS	316 SS
16	HEX HEAD CAP SCREW	4	5/8"-11 X 1 1/2"	18-8 SS	316 SS
17	BEVEL GEAR	1	-	-	SPUR GEAR
18	OPERATING NUT	1	-	CAST IRON	DUCTILE IRON, C86700, **12" DIA. HANDWHEEL **
19	COILED SPRING PIN	1	10MM X 45MM	18-8 SS	316 SS

- VALVES CONFORM WITH THE FOLLOWING STANDARDS
 - AWWA C509
 - NSF 61
- LOW ZINC BRASS STEM AND STEM NUT AVAILABLE
- 100% DOMESTIC FASTENERS AND ORINGS OPTIONS AVAILABLE
- *OPEN LEFT (COUNTERCLOCKWISE) AND OPEN RIGHT (CLOCKWISE) OPTIONS AVAILABLE*
- TURNS TO OPEN FROM FULLY CLOSED: 12
- AWWA MAXIMUM ALLOWABLE CLOSING TORQUE 75 FT-LBS INTO GEAR
- OPTIONAL HANDWHEEL CAN BE SUBSTITUTED FOR STANDARD 2" SQUARE OP. NUTS.
 - ****NOTE: STANDARD HANDWHEEL SIZE LISTED OUT IN PARTS LIST.****