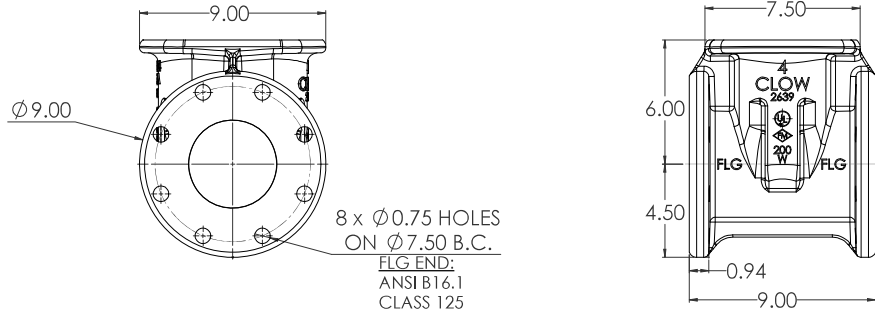
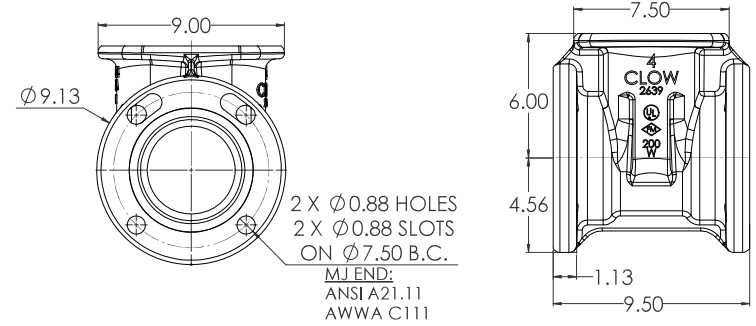


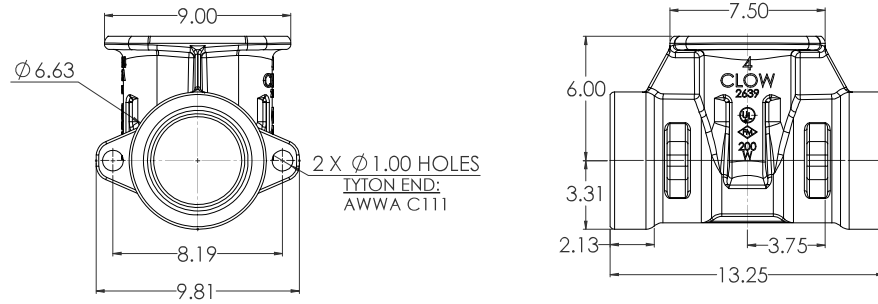
**04" C509 FLG X FLG**



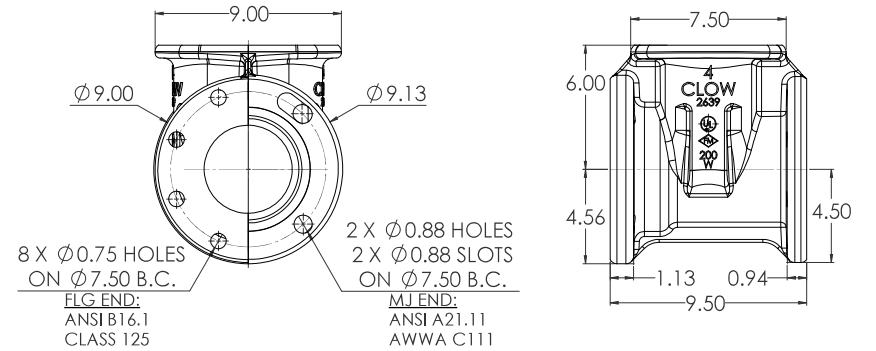
**04" C509 MJ X MJ**



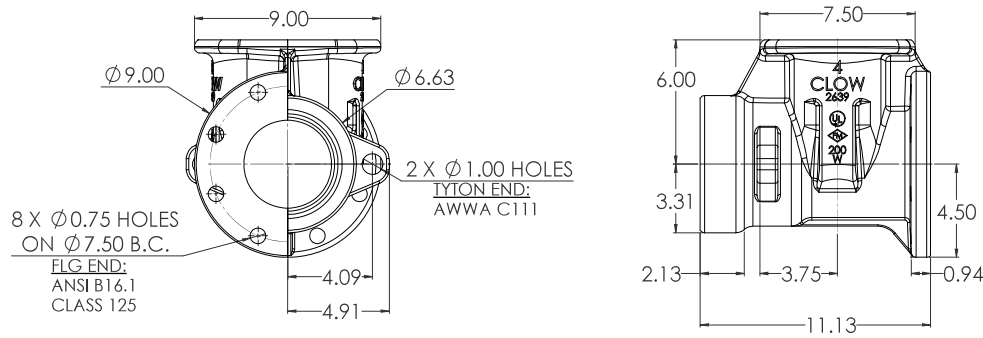
**04" C509 TYTON X TYTON**



**04" C509 FLG X MJ**

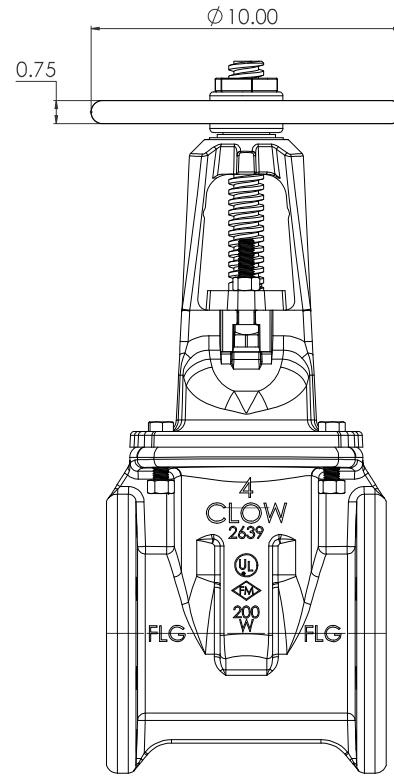
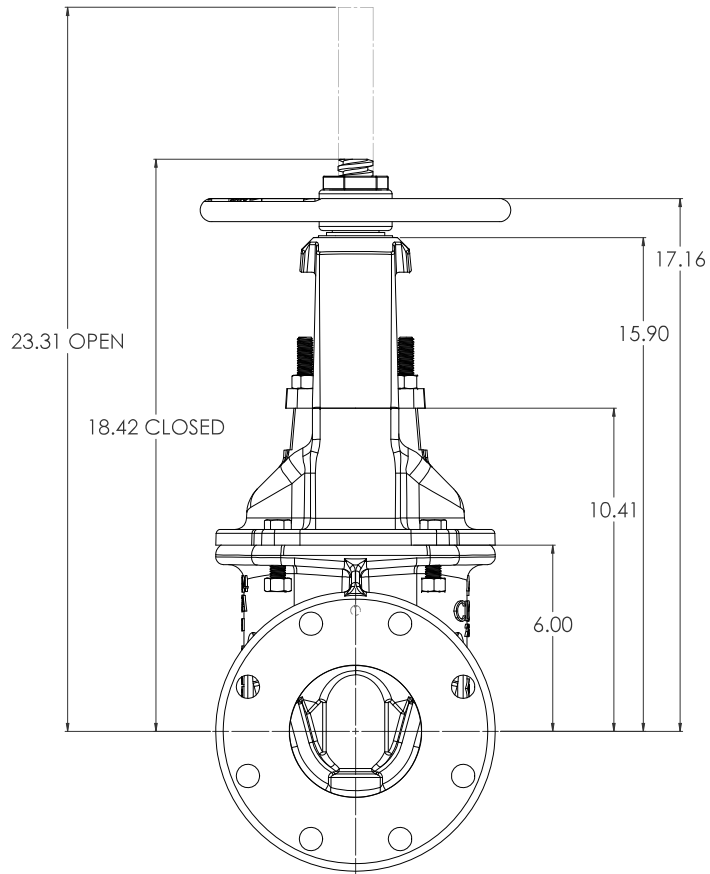


**04" C509 FLG X TYTON**



COMPANY: CLOW VALVE MANUFACTURING CO. INC. 10000 W. 150th St., Omaha, NE 68144 PHONE: (402) 426-1000 FAX: (402) 426-1001 WWW: WWW.CLOWVALVE.COM		PROJECT NO.: 12972020 DRAWING NO.: 04" C509 OS&Y RESILIENT LBS. WEDGE GATE VALVE SHEET NO.: 5		DATE: 12/7/2020 T:3 SOLIDWORKS 2016 SP2
DESIGNED BY: JRM CHECKED BY: JRM DATE: 12/7/2020 SCALE: 1:1 DRAWN BY: JRM	APPROVED BY: JRM DATE: 12/7/2020 SCALE: 1:1 DRAWN BY: JRM	PROJECT NO.: 12972020 DRAWING NO.: 04" C509 OS&Y RESILIENT LBS. WEDGE GATE VALVE SHEET NO.: 5		

# OS&Y WITH HANDWHEEL



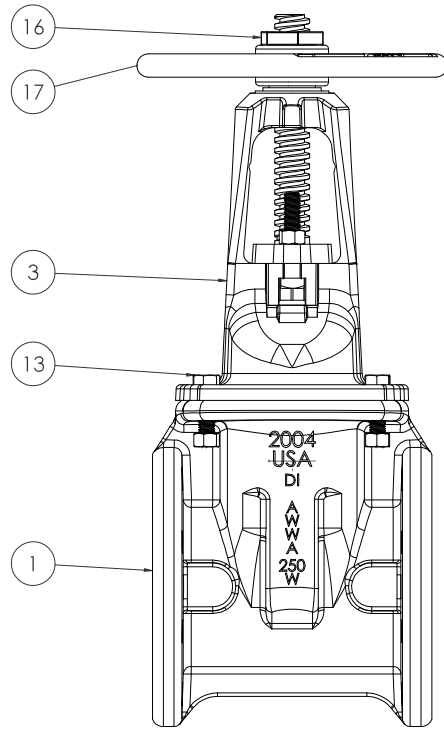
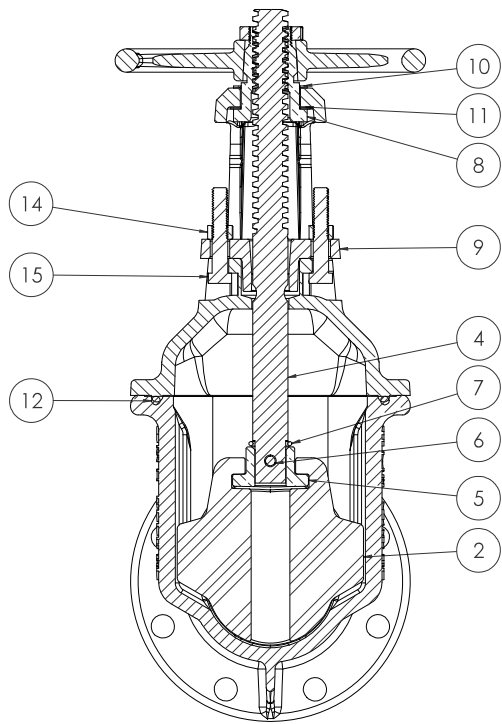
CROWN VALVE CO. 10000 W. 10TH AVENUE, DENVER, CO. 80202 PHONE: (303) 733-1100 FAX: (303) 733-1101 WWW.CROWNVALVE.COM		CROWN VALVE CO. 10000 W. 10TH AVENUE, DENVER, CO. 80202 PHONE: (303) 733-1100 FAX: (303) 733-1101 WWW.CROWNVALVE.COM		CROWN VALVE CO. 10000 W. 10TH AVENUE, DENVER, CO. 80202 PHONE: (303) 733-1100 FAX: (303) 733-1101 WWW.CROWNVALVE.COM	
DATE: 11/20/2018 TIME: 10:00 AM USER: J. W. WILSON PROJECT: 10000 W. 10TH AVENUE, DENVER, CO. 80202	DRAWING NO.: 10000 W. 10TH AVENUE, DENVER, CO. 80202 REV: 1 DATE: 11/20/2018 TIME: 10:00 AM USER: J. W. WILSON PROJECT: 10000 W. 10TH AVENUE, DENVER, CO. 80202	TITLE: 04" C509 OS&Y RESILIENT LBS. WEDGE GATE VALVE	SCALE: T:10 SHEET: 5 TOTAL SHEETS: 5	DRAWN BY: J. W. WILSON CHECKED BY: J. W. WILSON APPROVED BY: J. W. WILSON	DATE: 11/20/2018 TIME: 10:00 AM USER: J. W. WILSON PROJECT: 10000 W. 10TH AVENUE, DENVER, CO. 80202



04" C509 OS&Y RESILIENT  
LBS. WEDGE GATE VALVE

2  
5

D



COMPANY: AWWA ADDRESS: 10000 W. 16th Ave., Golden, CO 80401 PHONE: (303) 440-2000 FAX: (303) 440-2001 WWW: www.awwa.org		PROJECT: 04" C509 OS&Y RESILIENT LBS. WEDGE GATE VALVE		
DATE: 02/1/2020 DRAWN BY: CW CHECKED BY:	SCALE: 1:5 SHEET NO: 5 TOTAL SHEETS: 5	REVISIONS:	3 D	

<u>ITEM NO.</u>	<u>COMPONENT</u>	<u>QTY.</u>	<u>SIZE</u>	<u>STANDARD MATERIAL</u>	<u>MATERIAL OPTIONS</u>
1	BODY	1	-	CAST IRON	DUCTILE IRON
2	WEDGE	1	-	EPDM/DUCTILE IRON	-
3	COVER	1	-	CAST IRON	DUCTILE IRON
4	STEM	1	-	C65500 (LOW ZINC)	304 SS, 316 SS
5	STEM NUT	1	-	C87850	C87610 (LOW ZINC)
6	DRIVLOK PIN	1	5/16"X1 1/2	18-8 SS	316 SS
7	O-RING	1	#216	EPDM	BUNA-N
8	TOP STEM NUT	1	-	C86700	-
9	GLAND	1	-	CAST IRON	-
10	LOWER THRUST WASHER	1	2 3/32"	NYLATRON	-
11	THRUST WASHER	1	1 15/16"	C26000	-
12	O-RING	1	#437	EPDM	BUNA-N
13	HEX HEAD CAP SCREW	4	1/2"-13 X 2"	18-8 SS	316 SS
14	HEX NUT	6	1/2"-13	18-8 SS	316 SS
15	SQUARE HEAD CAP SCREW	2	1/2"-13 X 2 3/4"	18-8 SS	316 SS
16	HOLD DOWN NUT	1	-	C87850	-
17	HANDWHEEL	1	10" DIA.	DUCTILE IRON	-

- VALVES CONFORM WITH THE FOLLOWING STANDARDS
  - AWWA C509
  - NSF 61
- LOW ZINC BRASS STEM AVAILABLE
- 100% DOMESTIC FASTENERS AND ORINGS OPTIONS AVAILABLE
- *OPEN LEFT* (COUNTERCLOCKWISE) AND *OPEN RIGHT* (CLOCKWISE) OPTIONS AVAILABLE
- TURNS TO OPEN FROM FULLY CLOSED: 15
- AWWA MAXIMUM ALLOWABLE TORQUE TO CLOSE 75 FT-LBS

	
04" C509 OS&Y RESILIENT LBS. WEDGE GATE VALVE	4 5
2/21/2020	1:5