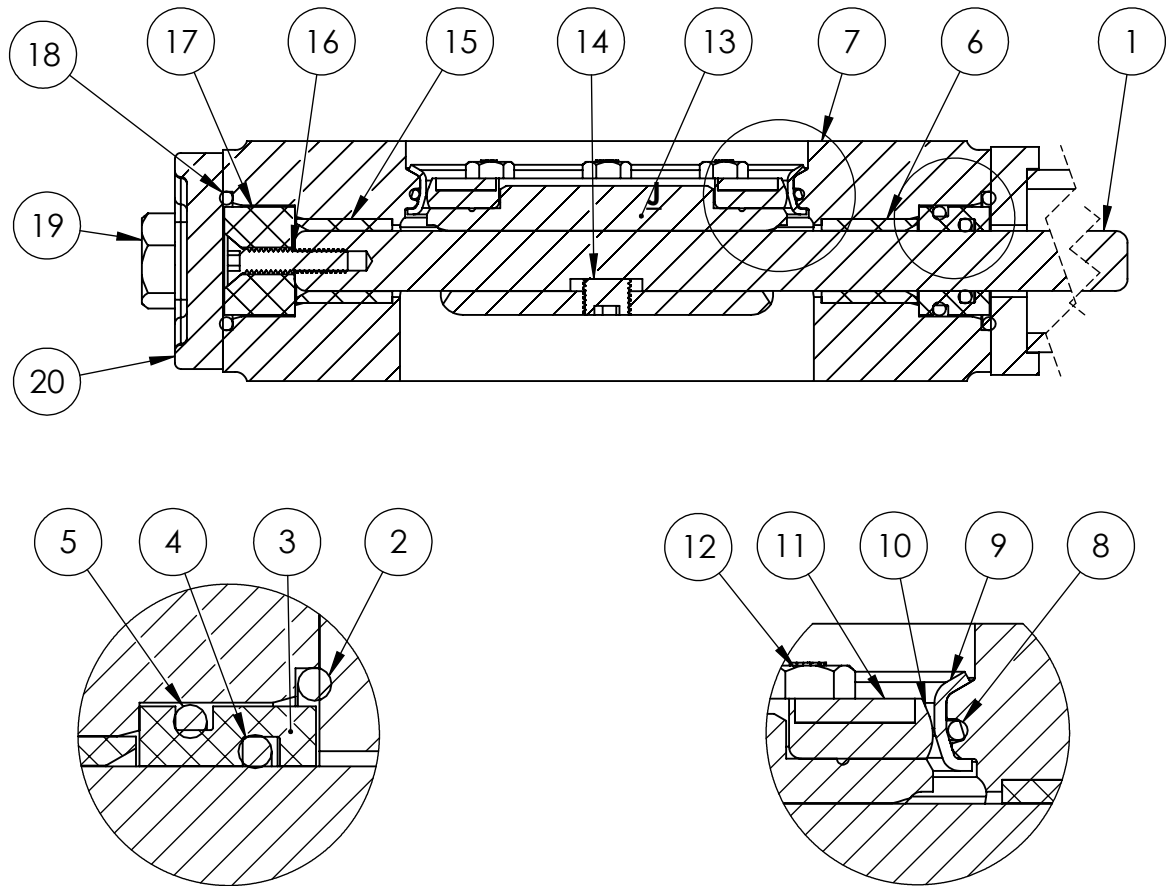


1. FLOW MAY BE IN EITHER DIRECTION
2. VALVE SHAFT WILL MEET OR EXCEED AWWA C504 REQUIREMENTS
3. REFERENCE AWWA C504 FOR FLANGES AND DRILLING (ANSI 125)
4. 29 TURNS TO CLOSE
5. (8) 5/8" BOLTS ON EACH FLANGE (NO THREADED HOLES)
6. OPERATED BY 2" AWWA OPERATING / WRENCH NUT
7. RATED FOR 150psi WORKING PRESSURE

| | | | | |
|---|----------|--|------|----------------------|
| THIS DWG. AND ALL INFORMATION IS OUR PROPERTY AND SHALL NOT BE USED, COPIED, OR REPRODUCED WITHOUT WRITTEN CONSENT. DESIGN AND INVENTION RIGHTS RESERVED. | | 4" AWWA C504 Butterfly Valve - Wafer Style Class 150 Adapter for F/A12 MSS/ISO Connection Buried Operator - Open Left | | |
| M&H VALVE COMPANY <small>A DIVISION OF McWANE INC. P.O. BOX 2088 ANNISTON, ALABAMA 36202</small> | DWG. NO. | | | BD04-W11-M1110-11210 |
| | DRAWN: | EMW | REV. | - |
| | DATE: | 05/14/2021 | | |



| ITEM NO. | DESCRIPTION | MATERIAL |
|----------|-----------------------------|-------------------------------------|
| 1 | OPERATOR SHAFT | 304 STAINLESS STEEL, ASTM A-276 |
| 2 | END O-RING | BUNA-N |
| 3 | CARTRIDGE SEAL | ACETAL |
| 4 | SHAFT SEAL O-RING (INSIDE) | BUNA-N |
| 5 | SHAFT SEAL O-RING (OUTSIDE) | BUNA-N |
| 6 | BODY BEARING | NYLATRON GS NYLON |
| 7 | VALVE BODY | DUCTILE IRON, ASTM-536 GR 70-50-05 |
| 8 | BODY O-RING | BUNA-N |
| 9 | BODY SEAT RING | 316 STAINLESS STEEL, ASTM A-276 |
| 10 | VANE SEAT RING | EPDM |
| 11 | VANE CLAMP RING | 316 STAINLESS STEEL, ASTM A-276 |
| 12 | VANE RING BOLT | 18-8 STAINLESS STEEL |
| 13 | VANE | DUCTILE IRON ASTM A-536 GR 70-50-05 |
| 14 | VANE TORQUE PLUG | 304 STAINLESS STEEL, ASTM A-276 |
| 15 | BODY BEARING | NYLATRON GS NYLON |
| 16 | SOCKET SCREW | 18-8 STAINLESS STEEL |
| 17 | THRUST DISK | ACETAL |
| 18 | END O-RING | BUNA-N |
| 19 | END COVER BOLT | 18-8 STAINLESS STEEL |
| 20 | END COVER | DUCTILE IRON, ASTM-536 GR 70-50-05 |

THIS DWG. AND ALL INFORMATION IS OUR PROPERTY AND SHALL NOT BE USED, COPIED, OR REPRODUCED WITHOUT WRITTEN CONSENT. DESIGN AND INVENTION RIGHTS RESERVED.



M&H VALVE COMPANY

A DIVISION OF McWANE INC.
P.O. BOX 2088
ANNISTON, ALABAMA 36202

DWG. NO.

BBAA-W11-B0000-11210

DRAWN: EMW

REV.

DATE: 12/6/2021

-

4" - 12" AWWA C504 - STYLE 4500 - CL150
BFV - FA12 MSS/ISO ADAPTER
SUB-ASSEMBLY - MATERIAL LIST
WAFER STYLE