

F = NUMBER OF FLANGE BOLTS
 G = SIZE OF FLANGE BOLTS
 H = NUMBER OF MJ BOLTS
 J = SIZE OF MJ BOLTS

MJ END IN ACCORDANCE TO ANSI A21.11
 FLANGE END PER ANSI B16.1 CLASS 125

| VALVE SIZE | A | B | C | D | E | F | G | H | J | K | L | M | WEIGHT |
|------------|--------|-------|--------|---------|--------|----|-------|----|-------|--------|---------|--------|--------|
| 30 | 38 3/4 | 2 1/8 | 31 | 71 3/8 | 54 3/4 | 28 | 1 1/4 | 20 | 1 | 39 1/2 | 1 11/16 | 14 7/8 | 5,400 |
| 36 | 46 | 2 3/8 | 34 3/4 | 81 1/16 | 58 7/8 | 32 | 1 1/2 | 24 | 1 | 46 1/2 | 2 | 14 7/8 | 7,200 |
| 42 | 53 | 2 5/8 | 37 1/2 | 98 3/8 | 78 | 36 | 1 1/2 | 28 | 1 1/4 | 54 | 2 | 17 | 15,200 |
| 48 | 59 1/2 | 2 3/4 | 39 | 101 3/8 | 78 | 44 | 1 1/2 | 32 | 1 1/4 | 60 3/4 | 2 | 17 | 15,500 |

URNS TO OPEN: (30"=587) (36"=705) (42"=1,056) (48"=1,200)
 HANDWHEEL OPTIONAL: (30"&36"=24" DIAMETER) (42"-54"=28" DIAMETER)
 NOTE: VALVE WILL ACCEPT A FULL SIZE TAPPING CUTTER

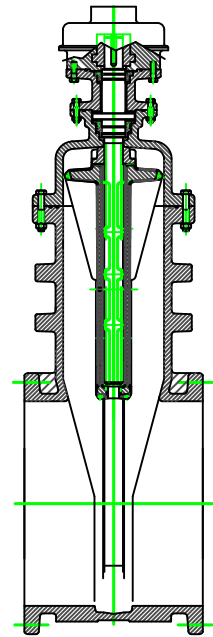
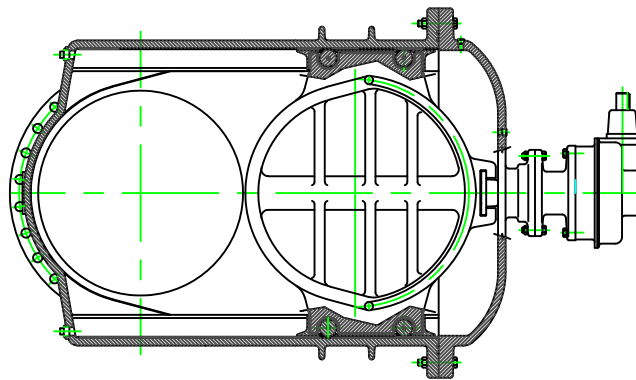
| | | |
|--|-------------------|---|
| M&H VALVE COMPANY ANNISTON, ALABAMA A DIVISION OF MCWANE INC. | DWN: TRIJ | 30" THRU 48" RESILIENT SEAT GATE VALVE C515-STYLE 7572 (WITH BEVEL GEAR) (WITH ROLLERS, TRACKS, SCRAPPERS) FLANGE X MJ |
| | DATE: 9/1/12 | |
| | DWG. NO. LRW55 | |

| ITEM | DESCRIPTION | MATERIAL | ASTM SPEC. |
|------|------------------------|------------------|--------------------|
| 1 | BODY | DUCTILE IRON | ASTM A536 64-45-12 |
| 2 | BOLT | STAINLESS STEEL | AISI 18-8 SS |
| 3 | NUT | STAINLESS STEEL | AISI 18-8 SS |
| 4 | WEDGE CASTING | DUCTILE IRON | ASTM A536 64-45-12 |
| 5 | MOLDED RUBBER ON WEDGE | RUBBER | EPDM |
| 6 | STEM NUT | COPPER ALLOY | ASTM B763 C87610 |
| 7 | EXTENSION-ACTUATOR | DUCTILE IRON | ASTM A536 64-45-12 |
| 8 | BOLT | STAINLESS STEEL | AISI 18-8 SS |
| 9 | NUT | STAINLESS STEEL | AISI 18-8 SS |
| 10 | KEY | STEEL | ----- |
| 11 | BEVEL GEAR ACTUATOR | (PURCHASED PART) | ----- |
| 12 | O-RING | RUBBER | EPDM |
| 13 | BOLT | STAINLESS STEEL | AISI 18-8 SS |
| 14 | BUSHING-STEM GUIDE | COPPER ALLOY | ASTM B584 C83600 |
| 15 | O-RING | RUBBER | EPDM |
| 16 | THRUST BEARING | NYLATRON | ----- |
| 17 | O-RING | RUBBER | EPDM |
| 18 | COVER BUSHING | COPPER ALLOY | ASTM B584 C83600 |
| 19 | O-RING | RUBBER | EPDM |
| 20 | COVER | DUCTILE IRON | ASTM A536 65-45-12 |
| 21 | O-RING-COVER OUTER | RUBBER | EPDM |
| 22 | STEM | COPPER ALLOY | ASTM B584 C86700 |
| *23 | PIPE PLUG | STAINLESS STEEL | AISI 316 SS |
| 24 | ACTUATOR DRIVE BUSHING | STEEL | ----- |
| 25 | O-RING | RUBBER | EPDM |
| 27 | SCRAPER | COPPER ALLOY | ASTM B148 C95400 |
| 28 | TRACK | STAINLESS STEEL | AISI 316 SS |
| 29 | ROLLER | COPPER ALLOY | ASTM B148 C95400 |
| 30 | PIN-ROLLERS | STAINLESS STEEL | AISI 304 SS |
| 31 | O-RING-COVER INNER | RUBBER | EPDM |
| **32 | PIPE PLUGS | STAINLESS STEEL | AISI 316 SS |

ACTUATOR RATIO (30" & 36" = 6:1) (42" - 54" = 8:1)

*COVER PIPE PLUG SIZE (30" & 36" = 3/4") (42" - 54" = 1")

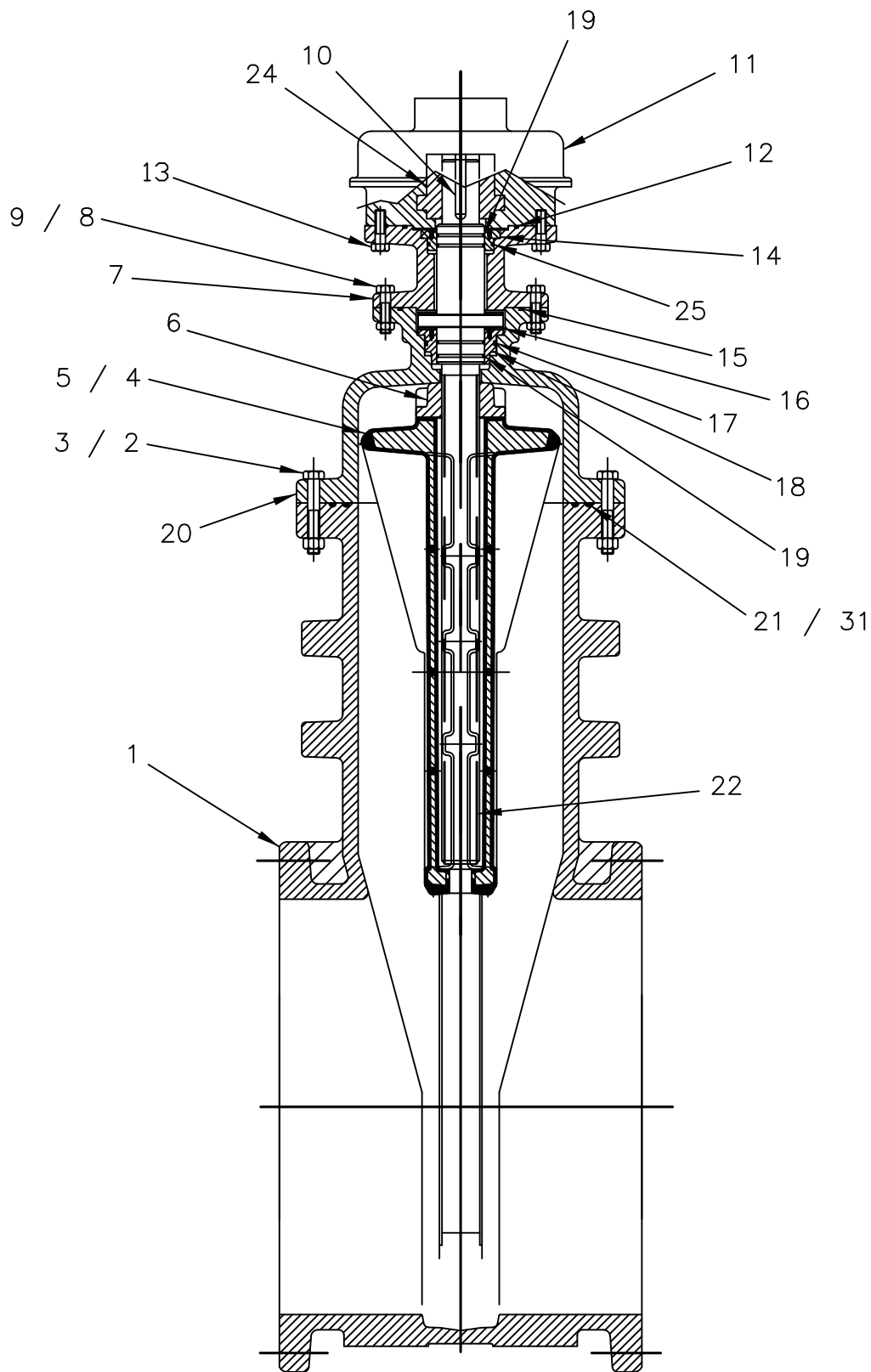
**BODY PIPE PLUG SIZE (30" & 36" = 1 1/4") (42" - 54" = 1 1/2")



M&H VALVE COMPANY
ANNISTON, ALABAMA
A DIVISION OF MCWANE INC.

DWN: CTJ
DATE: 7/24/19
DWG. NO.
LRW52

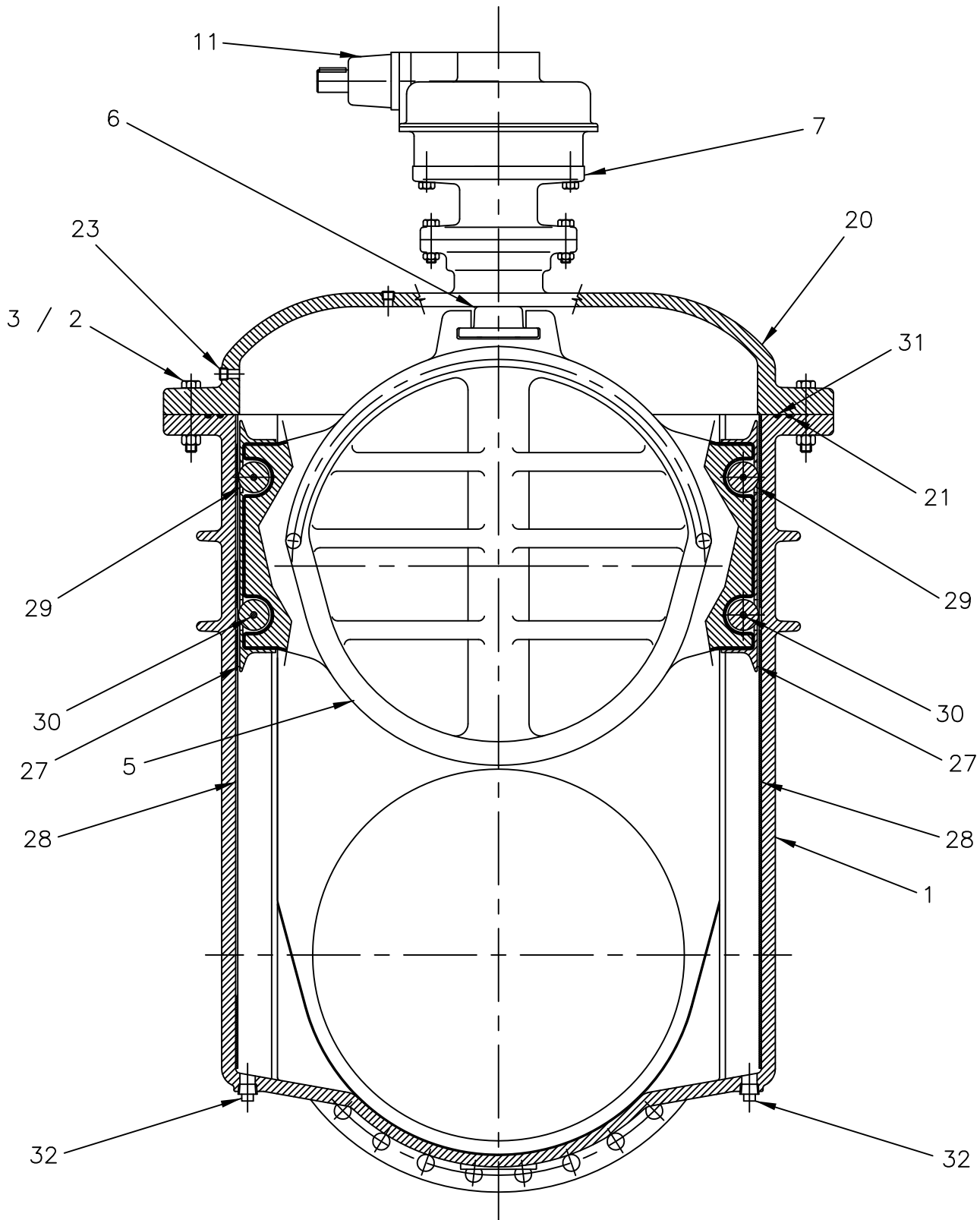
30" THRU 54"
RESILIENT SEAT GATE VALVE
C515-SERIES 7000
(WITH BEVEL GEAR)
(WITH ROLLERS, TRACKS, SCRAPPERS)
MATERIAL LIST



M&H VALVE COMPANY
ANNISTON, ALABAMA
A DIVISION OF MCWANE INC.

| |
|-------------------|
| DWN: TRIJ |
| DATE: 9/1/12 |
| DWG. NO. LRW50 |

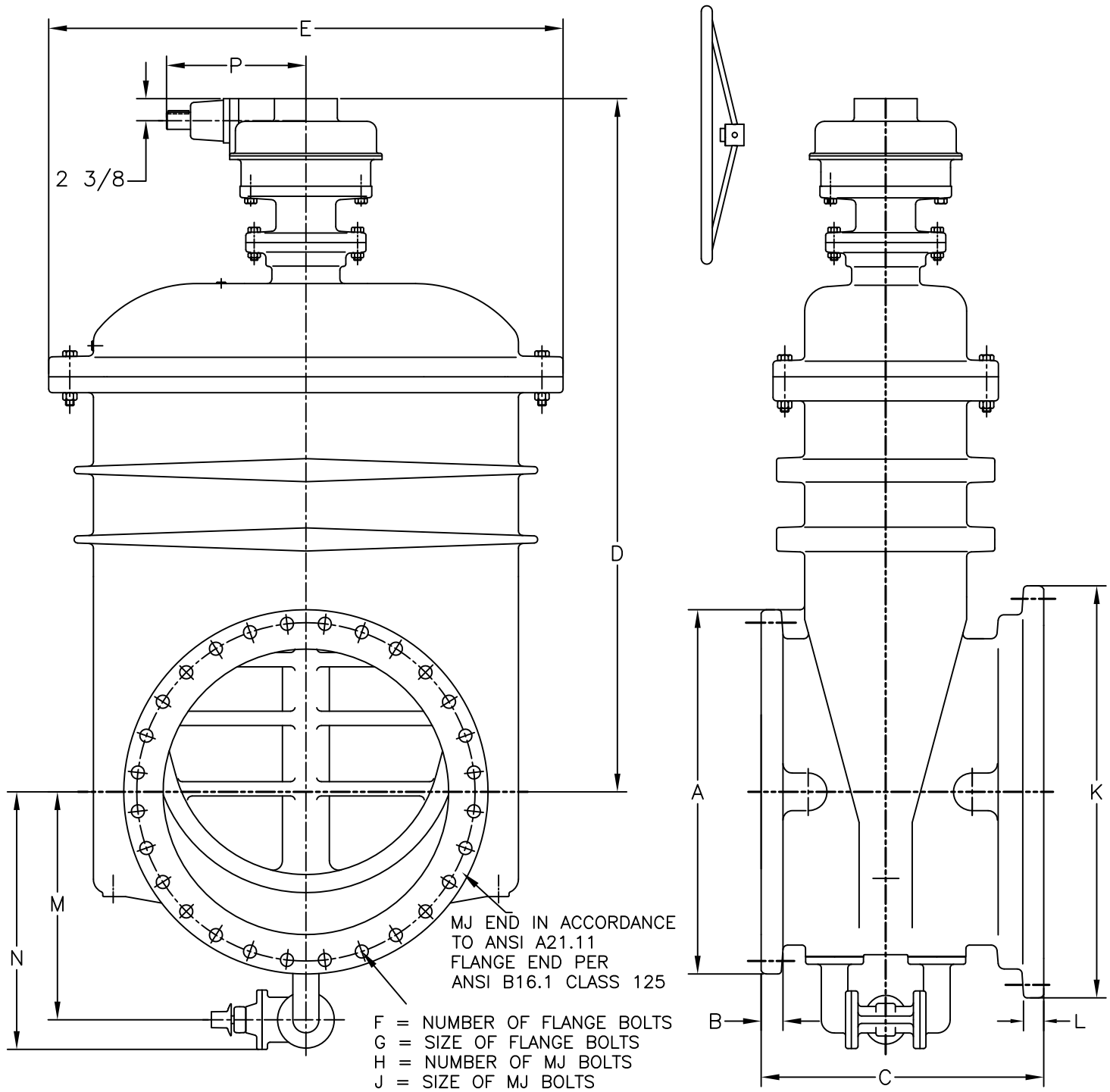
30" THRU 54"
RESILIENT SEAT GATE VALVE
C515-7000 SERIES
(WITH BEVEL GEAR)
(WITH ROLLERS, TRACKS, SCRAPPERS)
ASSEMBLY DRAWING 1



M&H VALVE COMPANY
ANNISTON, ALABAMA
A DIVISION OF MCWANE INC.

| |
|-------------------|
| DWN: TRIJ |
| DATE: 9/1/12 |
| DWG. NO. LRW51 |

30" THRU 54"
RESILIENT SEAT GATE VALVE
C515-7000 SERIES
(WITH BEVEL GEAR)
(WITH ROLLERS, TRACKS, SCRAPPERS)
ASSEMBLY DRAWING 2



| VALVE SIZE | A | B | C | D | E | F | G | H | J | K | L | M | N | P | WEIGHT |
|------------|--------|-------|--------|---------|--------|----|-------|----|-------|--------|---------|----------|---------|--------|--------|
| 30 | 38 3/4 | 2 1/8 | 31 | 73 3/4 | 54 3/4 | 28 | 1 1/4 | 20 | 1 | 39 1/2 | 1 11/16 | 24 | 27 | 14 7/8 | 5,400 |
| 36 | 46 | 2 3/8 | 34 3/4 | 83 7/16 | 58 7/8 | 32 | 1 1/2 | 24 | 1 | 46 1/2 | 2 | 27 1/4 | 30 1/4 | 14 7/8 | 7,200 |
| 42 | 53 | 2 5/8 | 37 1/2 | 100 3/4 | 78 | 36 | 1 1/2 | 28 | 1 1/4 | 54 | 2 | 30 15/16 | 35 7/16 | 17 | 15,200 |
| 48 | 59 1/2 | 2 3/4 | 39 | 103 3/4 | 78 | 44 | 1 1/2 | 32 | 1 1/4 | 60 3/4 | 2 | 33 15/16 | 38 7/16 | 17 | 15,500 |

TURNS TO OPEN: (30"=587) (36"=705) (42"=1,056) (48"=1,200)
 HANDWHEEL OPTIONAL: (30"&36"=24" DIAMETER) (42"&48"=28" DIAMETER)

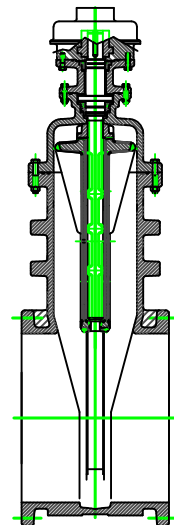
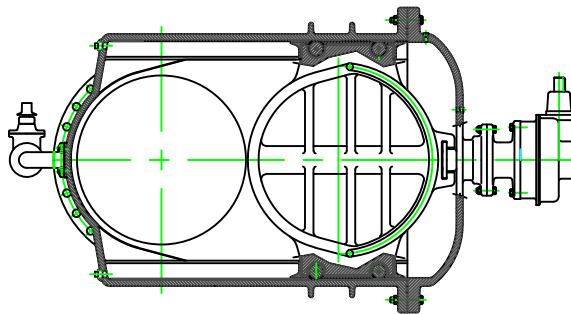
M&H VALVE COMPANY
 ANNISTON, ALABAMA
 A DIVISION OF MCWANE INC.

DWN: TRIJ
 DATE: 9/1/12
 DWG. NO.
 LRW55BPV

30" THRU 48"
 RESILIENT SEAT GATE VALVE
 C515-STYLE 7572
 (WITH BEVEL GEAR)(WITH BY-PASS)
 (WITH ROLLERS, TRACKS, SCRAPPERS)
 FLANGE X MJ

| ITEM | DESCRIPTION | MATERIAL | ASTM SPEC. |
|-------|------------------------|------------------|--------------------|
| 1 | BODY | DUCTILE IRON | ASTM A536 64-45-12 |
| 2 | BOLT | STAINLESS STEEL | AISI 18-8 SS |
| 3 | NUT | STAINLESS STEEL | AISI 18-8 SS |
| 4 | WEDGE CASTING | DUCTILE IRON | ASTM A536 64-45-12 |
| 5 | MOLDED RUBBER ON WEDGE | RUBBER | EPDM |
| 6 | STEM NUT | COPPER ALLOY | ASTM B763 C87610 |
| 7 | EXTENSION-ACTUATOR | DUCTILE IRON | ASTM A536 64-45-12 |
| 8 | BOLT | STAINLESS STEEL | AISI 18-8 SS |
| 9 | NUT | STAINLESS STEEL | AISI 18-8 SS |
| 10 | KEY | STEEL | ----- |
| 11 | BEVEL GEAR ACTUATOR | (PURCHASED PART) | ----- |
| 12 | O-RING | RUBBER | EPDM |
| 13 | BOLT | STAINLESS STEEL | AISI 18-8 SS |
| 14 | BUSHING-STEM GUIDE | COPPER ALLOY | ASTM B584 C83600 |
| 15 | O-RING | RUBBER | EPDM |
| 16 | THRUST BEARING | NYLATRON | ----- |
| 17 | O-RING | RUBBER | EPDM |
| 18 | COVER BUSHING | COPPER ALLOY | ASTM B584 C83600 |
| 19 | O-RING | RUBBER | EPDM |
| 20 | COVER | DUCTILE IRON | ASTM A536 65-45-12 |
| 21 | O-RING-COVER OUTER | RUBBER | EPDM |
| 22 | STEM | COPPER ALLOY | ASTM B584 C86700 |
| **23 | PIPE PLUG | STAINLESS STEEL | AISI 316 SS |
| 24 | ACTUATOR DRIVE BUSHING | STEEL | ----- |
| 25 | O-RING | RUBBER | EPDM |
| 27 | SCRAPER | COPPER ALLOY | ASTM B148 C95400 |
| 28 | TRACK | STAINLESS STEEL | AISI 316 SS |
| 29 | ROLLER | COPPER ALLOY | ASTM B148 C95400 |
| 30 | PIN-ROLLERS | STAINLESS STEEL | AISI 18-8 SS |
| 31 | O-RING-COVER INNER | RUBBER | EPDM |
| ***32 | BYPASS VALVE | DUCTILE IRON | PER AWWA C515 |
| 33 | BYPASS ELBOWS | DUCTILE IRON | ASTM A536 65-45-12 |
| **34 | PIPE PLUGS | STAINLESS STEEL | AISI 316 SS |

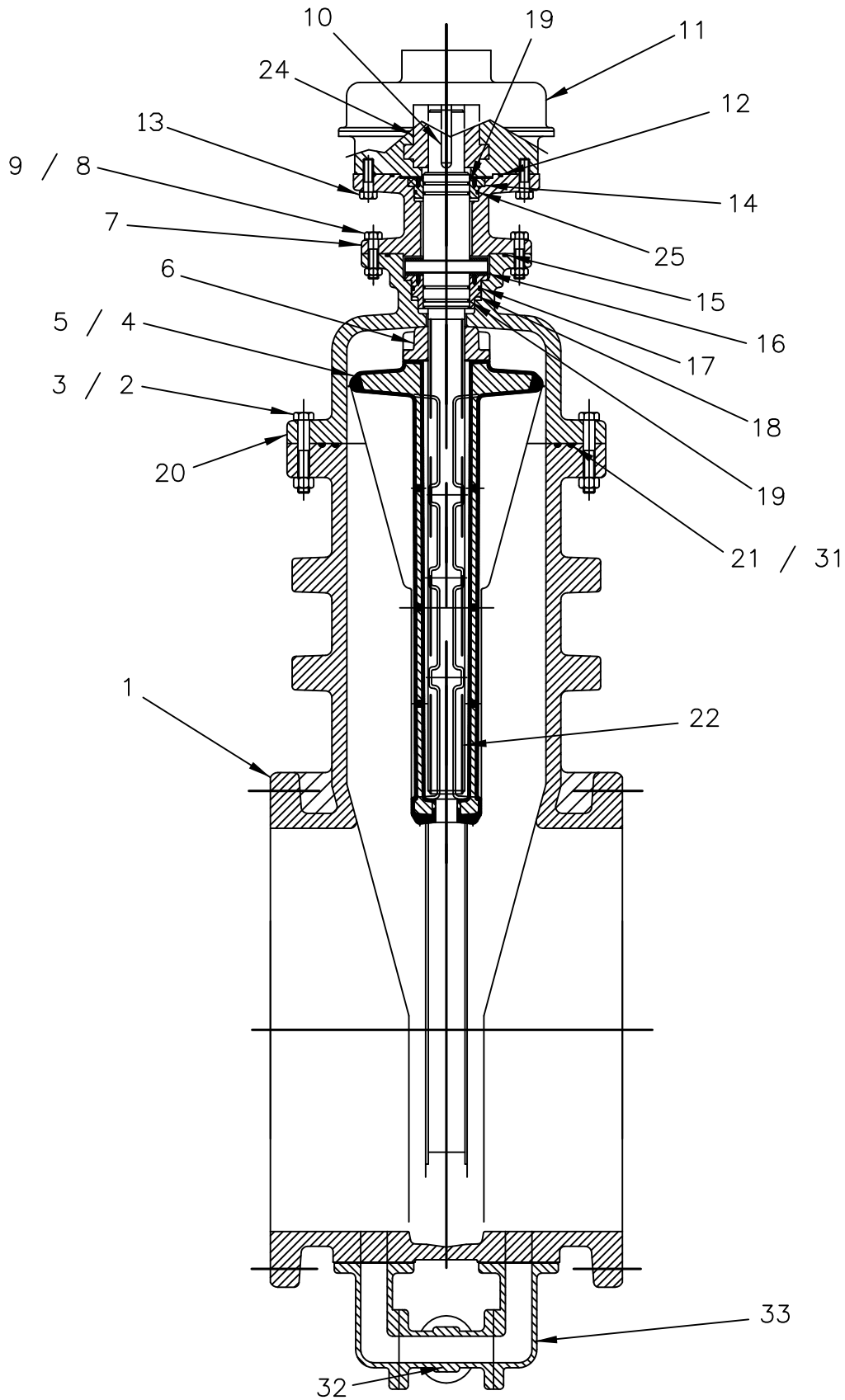
ACTUATOR RATIO (30" & 36" = 6:1) (42" - 54" = 8:1)
 *COVER PIPE PLUG SIZE (30" & 36" = 3/4") (42" - 54" = 1")
 **BODY PIPE PLUG SIZE (30" & 36" = 1 1/4") (42" - 54" = 1 1/2")
 ***BY-PASS VALVE SIZE (30" & 36" = 2") (42" - 54" = 4")



M&H VALVE COMPANY
 ANNISTON, ALABAMA
 A DIVISION OF MCWANE INC.

DWN: CTJ
 DATE: 7/24/19
 DWG. NO.
 LRW52BPV

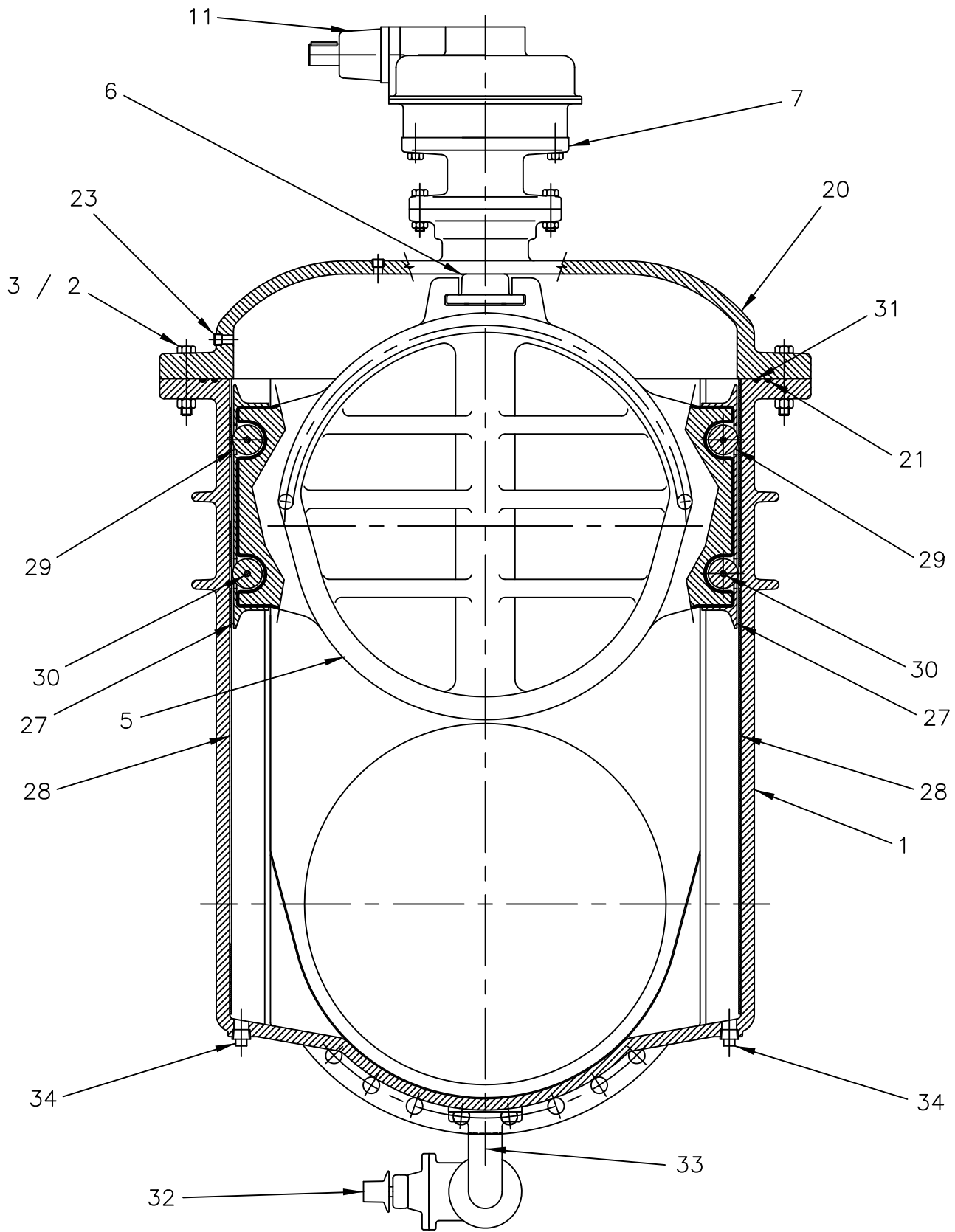
30" THRU 54"
 RESILIENT SEAT GATE VALVE
 C515-SERIES 7000
 (WITH BEVEL GEAR)(WITH BY-PASS)
 (WITH ROLLERS, TRACKS, SCRAPPERS)
 MATERIAL LIST



M&H VALVE COMPANY
ANNISTON, ALABAMA
A DIVISION OF MCWANE INC.

DWN: TRIJ
DATE: 9/1/12
DWG. NO.
LRW50BPV

30" THRU 54"
RESILIENT SEAT GATE VALVE
C515-7000 SERIES
(WITH BEVEL GEAR)(WITH BY PASS)
(WITH ROLLERS, TRACKS, SCRAPPERS)
ASSEMBLY DRAWING 1



M&H VALVE COMPANY
ANNISTON, ALABAMA
A DIVISION OF MCWANE INC.

DWN: TRIJ
DATE: 9/1/12
DWG. NO.
LRW51BPV

30" THRU 54"
RESILIENT SEAT GATE VALVE
C515-7000 SERIES
(WITH BEVEL GEAR)(WITH BY-PASS)
(WITH ROLLERS, TRACKS, SCRAPPERS)
ASSEMBLY DRAWING 2