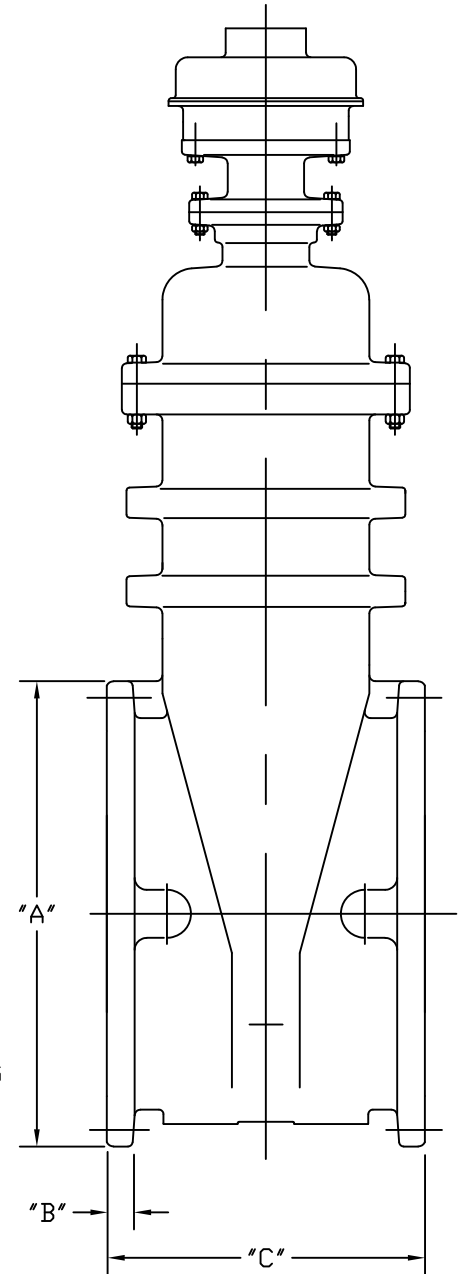
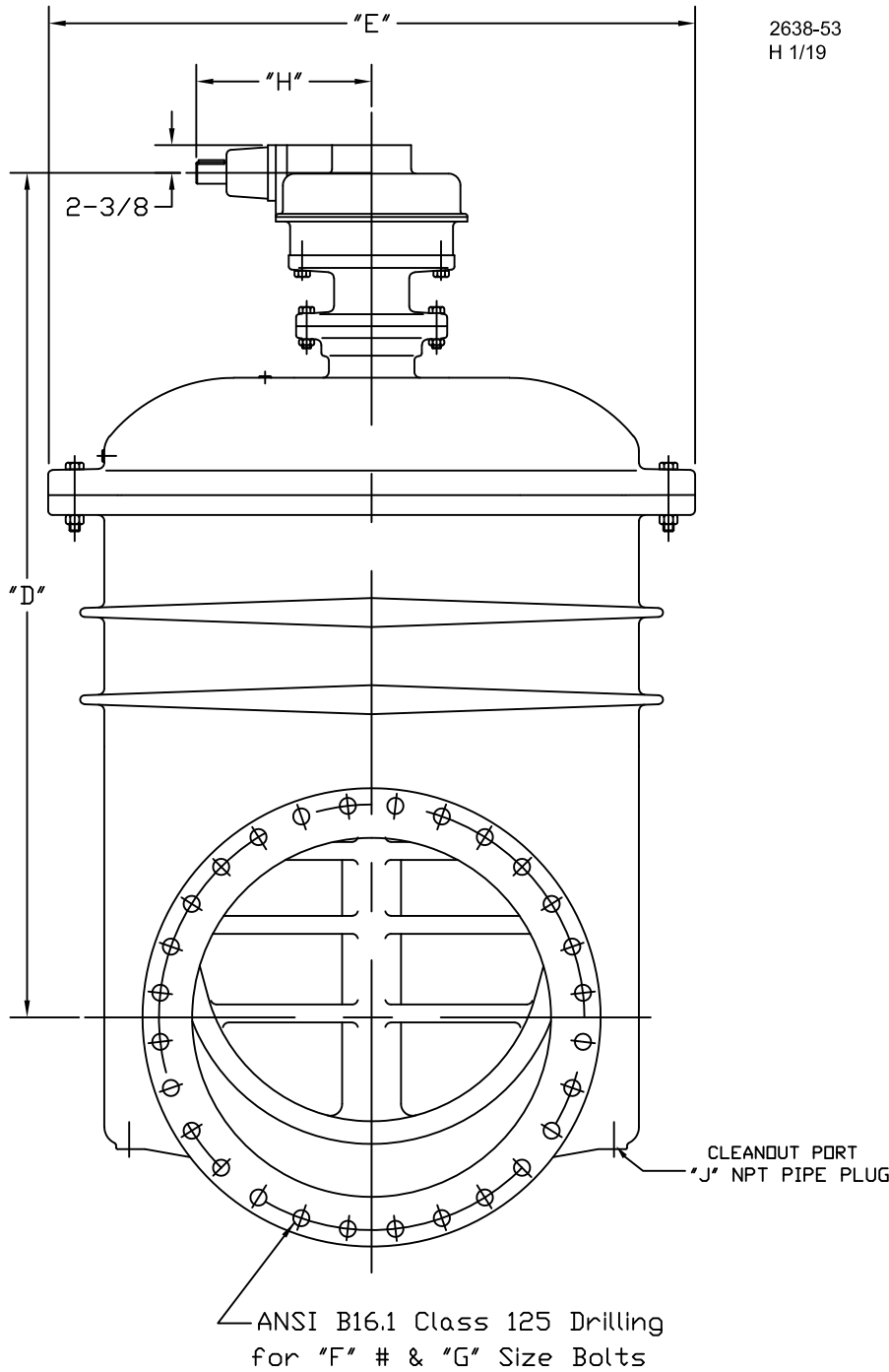


2638-53  
H 1/19

Complies with applicable requirements of AWWA C515



Valve Size	"A"	"B"	"C"	"D"	"E"	"F"	"G"	"H"	"J"
30"	38-3/4	2-1/8	40	71-1/2	54-3/4	28	1-1/4	14-7/8	2
36"	46	2-3/8	30-3/4	81-1/16	58-7/8	32	1-1/2	14-7/8	1-1/4
42"	53	2-5/8	36	98-3/8	78	36	1-1/2	17	1-1/2
48"	59-1/2	2-3/4	35-1/2	101-3/8	78	44	1-1/2	17	1-1/2
54"	66-1/4	3	48	101-3/8	78	44	1-3/4	17	1-1/2

M&H VALVE COMPANY  
ANNISTON, ALABAMA  
A DIVISION OF MCWANE INC.

DWN: CTJ  
DATE: 1/23/19  
DWG. NO.  
2638-53

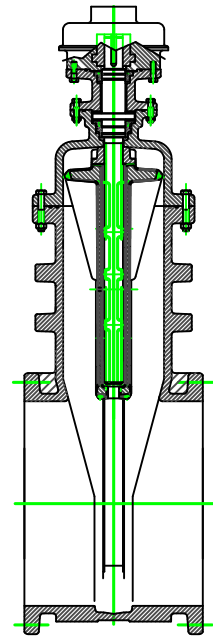
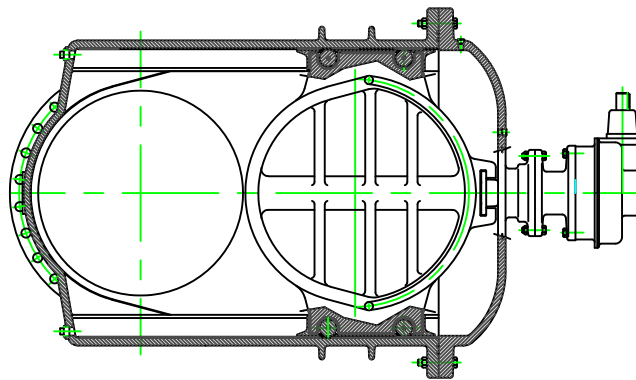
30"-54" MODEL 2638 RW VALVE  
FLANGED ENDS  
W/ BEVEL GEAR  
GENERAL DIMENSIONS

ITEM	DESCRIPTION	MATERIAL	ASTM SPEC.
1	BODY	DUCTILE IRON	ASTM A536 64-45-12
2	BOLT	STAINLESS STEEL	AISI 18-8 SS
3	NUT	STAINLESS STEEL	AISI 18-8 SS
4	WEDGE CASTING	DUCTILE IRON	ASTM A536 64-45-12
5	MOLDED RUBBER ON WEDGE	RUBBER	EPDM
6	STEM NUT	COPPER ALLOY	ASTM B763 C87610
7	EXTENSION-ACTUATOR	DUCTILE IRON	ASTM A536 64-45-12
8	BOLT	STAINLESS STEEL	AISI 18-8 SS
9	NUT	STAINLESS STEEL	AISI 18-8 SS
10	KEY	STEEL	-----
11	BEVEL GEAR ACTUATOR	(PURCHASED PART)	-----
12	O-RING	RUBBER	EPDM
13	BOLT	STAINLESS STEEL	AISI 18-8 SS
14	BUSHING-STEM GUIDE	COPPER ALLOY	ASTM B584 C83600
15	O-RING	RUBBER	EPDM
16	THRUST BEARING	NYLATRON	-----
17	O-RING	RUBBER	EPDM
18	COVER BUSHING	COPPER ALLOY	ASTM B584 C83600
19	O-RING	RUBBER	EPDM
20	COVER	DUCTILE IRON	ASTM A536 65-45-12
21	O-RING-COVER OUTER	RUBBER	EPDM
22	STEM	COPPER ALLOY	ASTM B584 C86700
*23	PIPE PLUG	STAINLESS STEEL	AISI 316 SS
24	ACTUATOR DRIVE BUSHING	STEEL	-----
25	O-RING	RUBBER	EPDM
27	SCRAPER	COPPER ALLOY	ASTM B148 C95400
28	TRACK	STAINLESS STEEL	AISI 316 SS
29	ROLLER	COPPER ALLOY	ASTM B148 C95400
30	PIN-ROLLERS	STAINLESS STEEL	AISI 304 SS
31	O-RING-COVER INNER	RUBBER	EPDM
**32	PIPE PLUGS	STAINLESS STEEL	AISI 316 SS

ACTUATOR RATIO (30" & 36" = 6:1) (42" - 54" = 8:1)

\*COVER PIPE PLUG SIZE (30" & 36" = 3/4") (42" - 54" = 1")

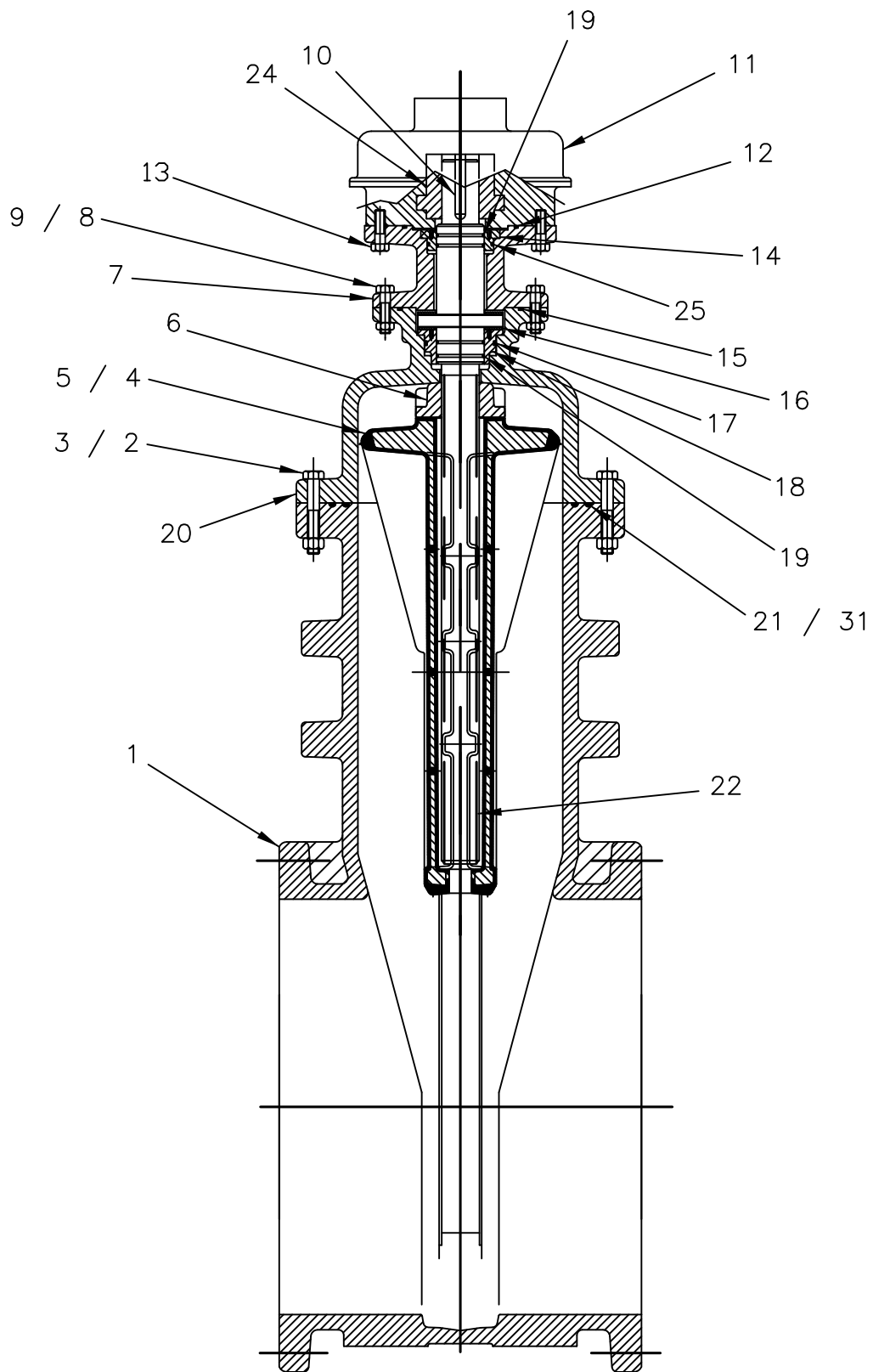
\*\*BODY PIPE PLUG SIZE (30" & 36" = 1 1/4") (42" - 54" = 1 1/2")



M&H VALVE COMPANY  
ANNISTON, ALABAMA  
A DIVISION OF MCWANE INC.

DWN: CTJ  
DATE: 7/24/19  
DWG. NO.  
LRW52

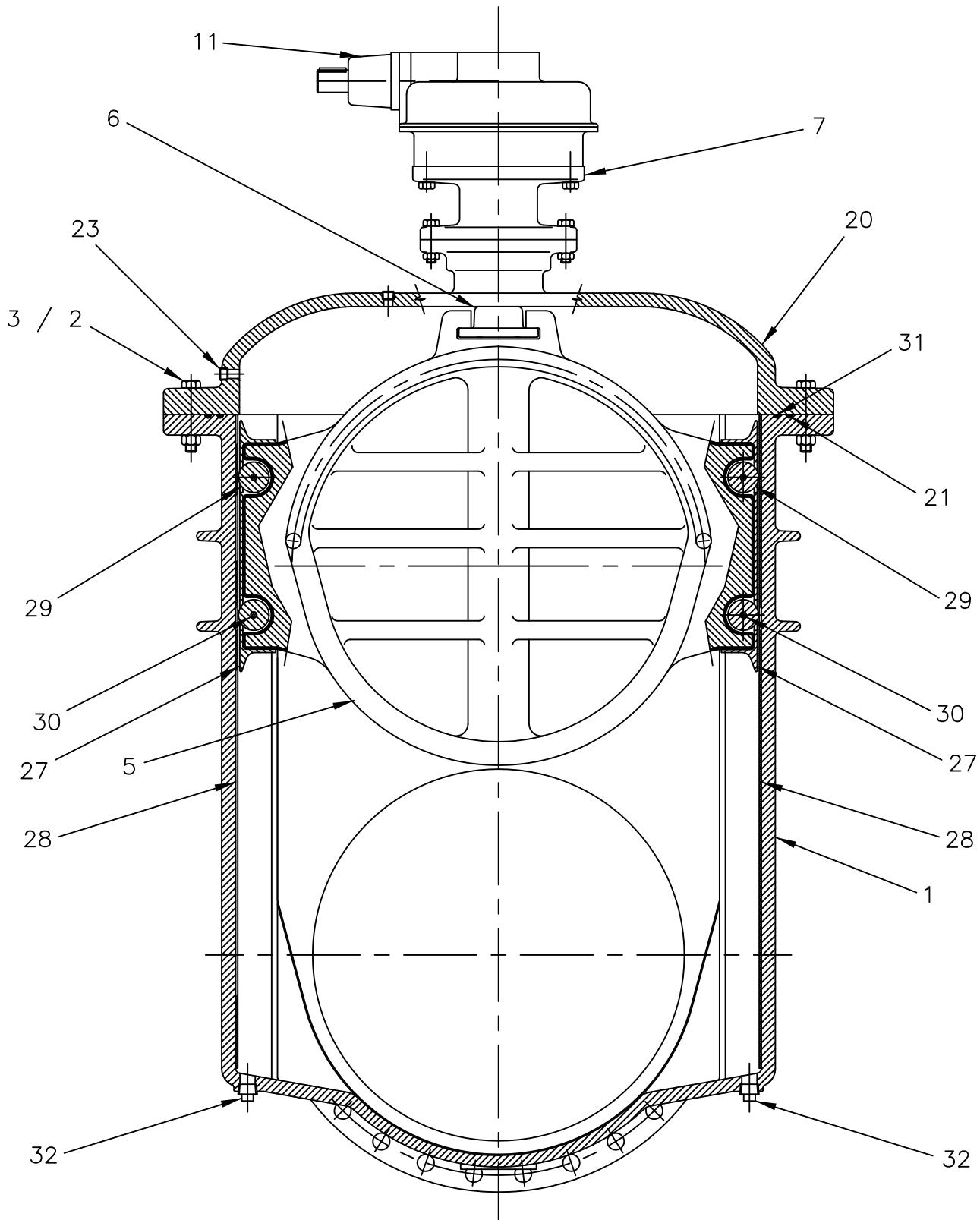
30" THRU 54"  
RESILIENT SEAT GATE VALVE  
C515-SERIES 7000  
(WITH BEVEL GEAR)  
(WITH ROLLERS, TRACKS, SCRAPPERS)  
MATERIAL LIST



M&H VALVE COMPANY  
ANNISTON, ALABAMA  
A DIVISION OF MCWANE INC.

DWN: TRIJ
DATE: 9/1/12
DWG. NO. LRW50

30" THRU 54"  
RESILIENT SEAT GATE VALVE  
C515-7000 SERIES  
(WITH BEVEL GEAR)  
(WITH ROLLERS, TRACKS, SCRAPPERS)  
ASSEMBLY DRAWING 1



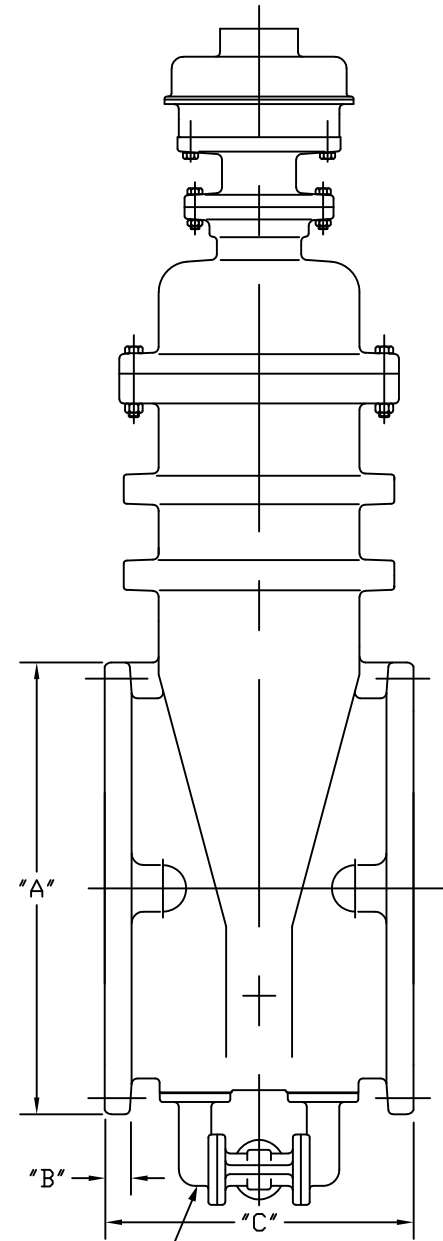
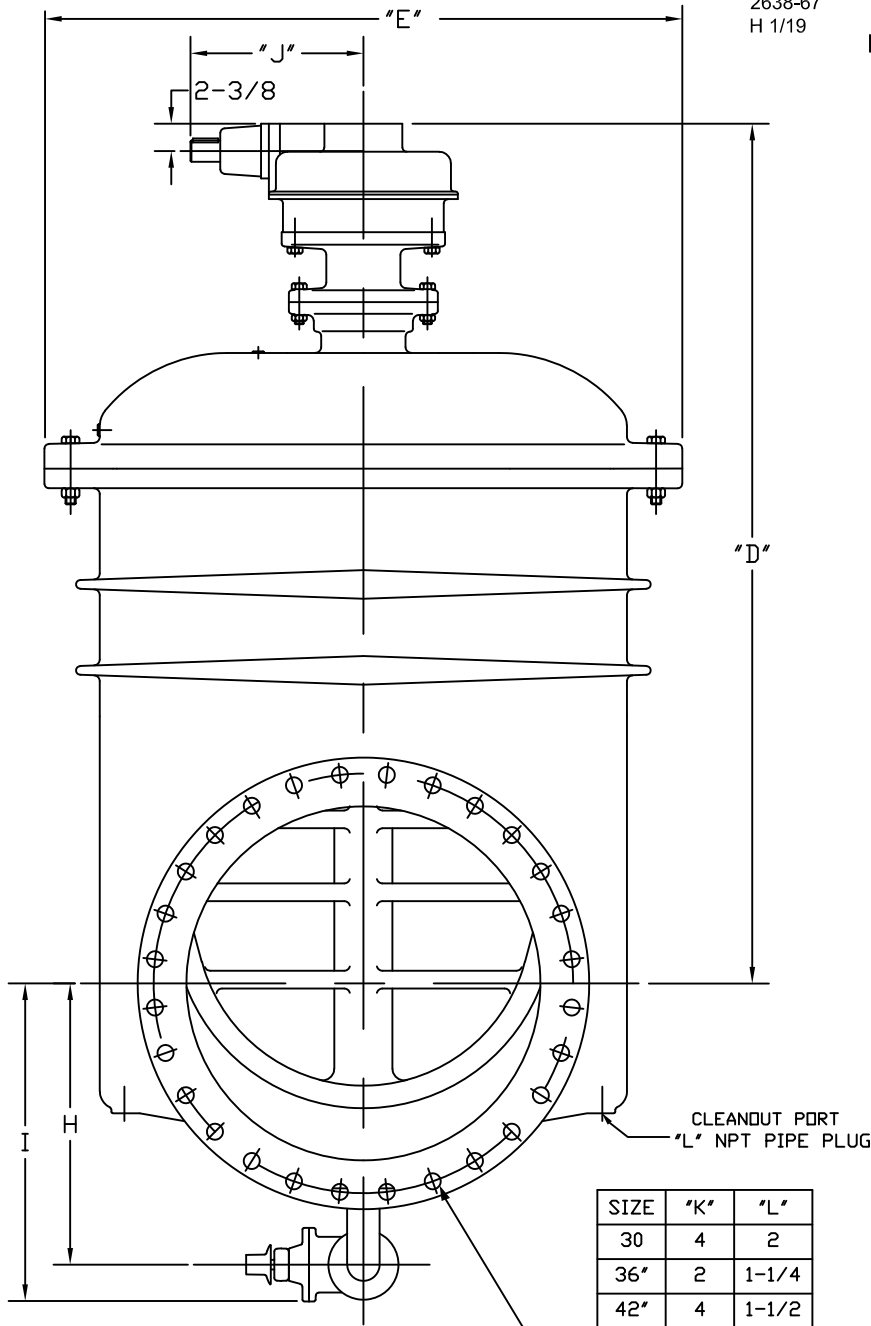
M&H VALVE COMPANY  
ANNISTON, ALABAMA  
A DIVISION OF MCWANE INC.

DWN: TRIJ
DATE: 9/1/12
DWG. NO. LRW51

30" THRU 54"  
RESILIENT SEAT GATE VALVE  
C515-7000 SERIES  
(WITH BEVEL GEAR)  
(WITH ROLLERS, TRACKS, SCRAPPERS)  
ASSEMBLY DRAWING 2

2638-67  
H 1/19

Complies with applicable requirements of AWWA C515



ANSI B16.1 Class 125 Drilling for "F" # & "G" Size Bolts

SIZE	"K"	"L"
30"	4	2
36"	2	1-1/4
42"	4	1-1/2
48"	4	1-1/2
54"	4	1-1/2

Valve Size	"A"	"B"	"C"	"D"	"E"	"F"	"G"	"H"	"I"	"J"
30"	38-3/4	2-1/8	40	73-7/8	54-3/4	28	1-1/4	24	28-1/2	14-7/8
36"	46	2-3/8	30-3/4	83-7/16	58-7/8	32	1-1/2	27-1/4	30-1/4	14-7/8
42"	53	2-5/8	36	100-3/4	78	36	1-1/2	30-15/16	35-7/16	17
48"	59-1/2	2-3/4	35-1/2	103-3/4	78	44	1-1/2	33-15/16	38-7/16	17
54"	66-1/4	3	48	103-3/4	78	44	1-3/4	37-5/16	41-13/16	17

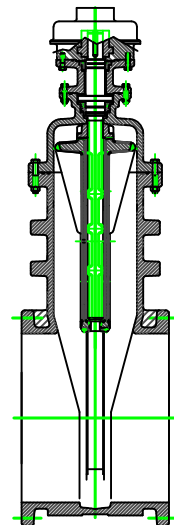
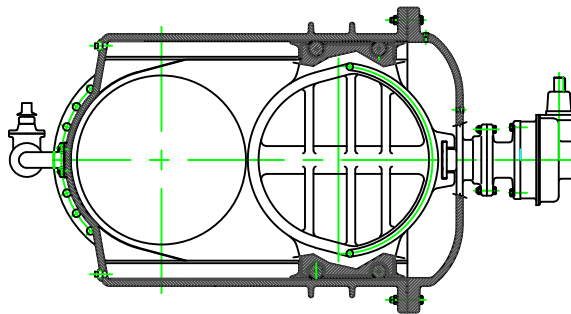
M&H VALVE COMPANY  
ANNISTON, ALABAMA  
A DIVISION OF MCWANE INC.

DWN: CTJ  
DATE: 1/23/19  
DWG. NO.  
2638-67

30"-54" MODEL 2638 RW VALVE  
FLANGED ENDS  
W/ BEVEL GEAR & BYPASS  
GENERAL DIMENSIONS

ITEM	DESCRIPTION	MATERIAL	ASTM SPEC.
1	BODY	DUCTILE IRON	ASTM A536 64-45-12
2	BOLT	STAINLESS STEEL	AISI 18-8 SS
3	NUT	STAINLESS STEEL	AISI 18-8 SS
4	WEDGE CASTING	DUCTILE IRON	ASTM A536 64-45-12
5	MOLDED RUBBER ON WEDGE	RUBBER	EPDM
6	STEM NUT	COPPER ALLOY	ASTM B763 C87610
7	EXTENSION-ACTUATOR	DUCTILE IRON	ASTM A536 64-45-12
8	BOLT	STAINLESS STEEL	AISI 18-8 SS
9	NUT	STAINLESS STEEL	AISI 18-8 SS
10	KEY	STEEL	-----
11	BEVEL GEAR ACTUATOR	(PURCHASED PART)	-----
12	O-RING	RUBBER	EPDM
13	BOLT	STAINLESS STEEL	AISI 18-8 SS
14	BUSHING-STEM GUIDE	COPPER ALLOY	ASTM B584 C83600
15	O-RING	RUBBER	EPDM
16	THRUST BEARING	NYLATRON	-----
17	O-RING	RUBBER	EPDM
18	COVER BUSHING	COPPER ALLOY	ASTM B584 C83600
19	O-RING	RUBBER	EPDM
20	COVER	DUCTILE IRON	ASTM A536 65-45-12
21	O-RING-COVER OUTER	RUBBER	EPDM
22	STEM	COPPER ALLOY	ASTM B584 C86700
**23	PIPE PLUG	STAINLESS STEEL	AISI 316 SS
24	ACTUATOR DRIVE BUSHING	STEEL	-----
25	O-RING	RUBBER	EPDM
27	SCRAPER	COPPER ALLOY	ASTM B148 C95400
28	TRACK	STAINLESS STEEL	AISI 316 SS
29	ROLLER	COPPER ALLOY	ASTM B148 C95400
30	PIN-ROLLERS	STAINLESS STEEL	AISI 18-8 SS
31	O-RING-COVER INNER	RUBBER	EPDM
***32	BYPASS VALVE	DUCTILE IRON	PER AWWA C515
33	BYPASS ELBOWS	DUCTILE IRON	ASTM A536 65-45-12
**34	PIPE PLUGS	STAINLESS STEEL	AISI 316 SS

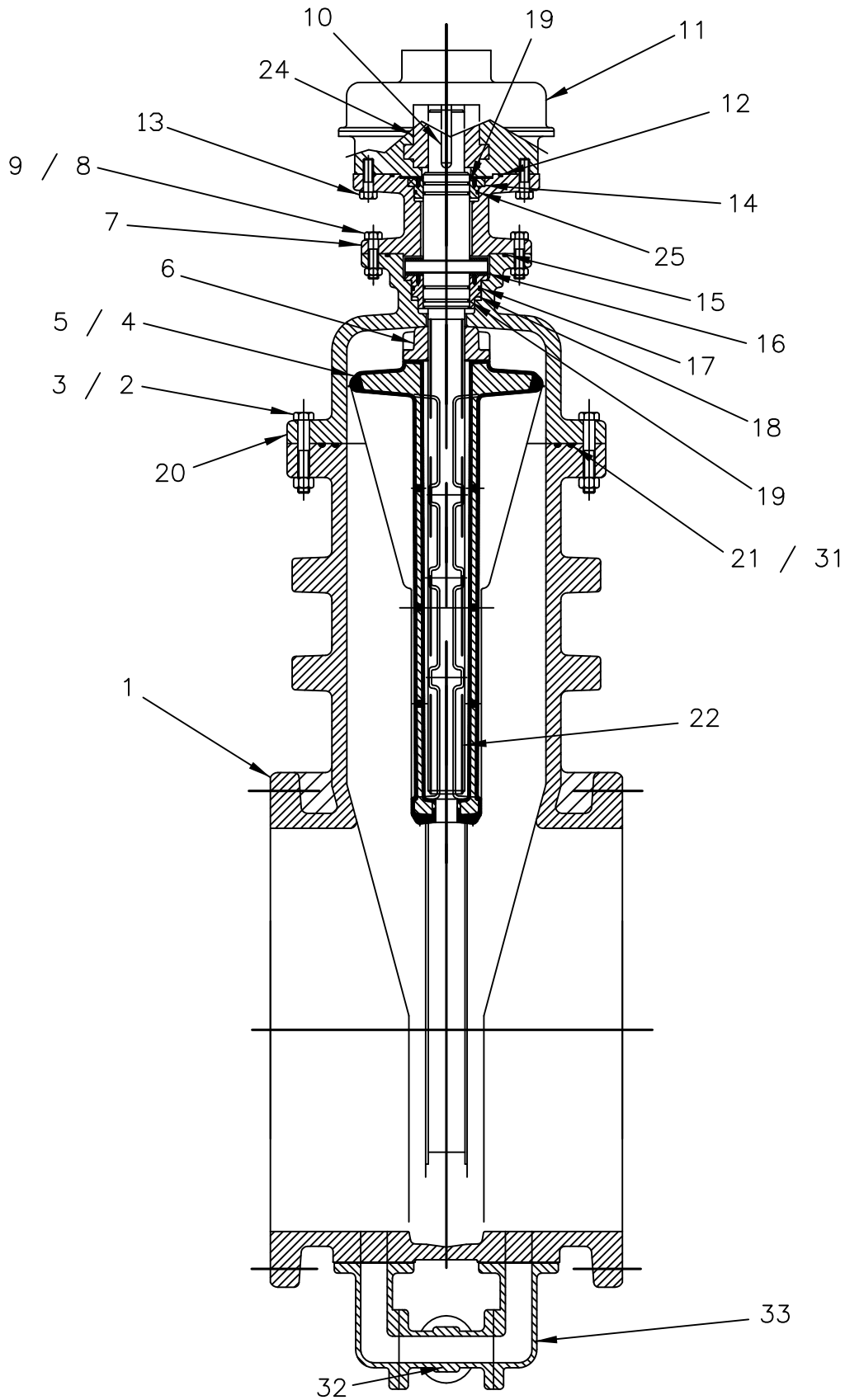
ACTUATOR RATIO (30" & 36" = 6:1) (42" - 54" = 8:1)  
 \*COVER PIPE PLUG SIZE (30" & 36" = 3/4") (42" - 54" = 1")  
 \*\*BODY PIPE PLUG SIZE (30" & 36" = 1 1/4") (42" - 54" = 1 1/2")  
 \*\*\*BY-PASS VALVE SIZE (30" & 36" = 2") (42" - 54" = 4")



M&H VALVE COMPANY  
 ANNISTON, ALABAMA  
 A DIVISION OF MCWANE INC.

DWN: CTJ  
 DATE: 7/24/19  
 DWG. NO.  
 LRW52BPV

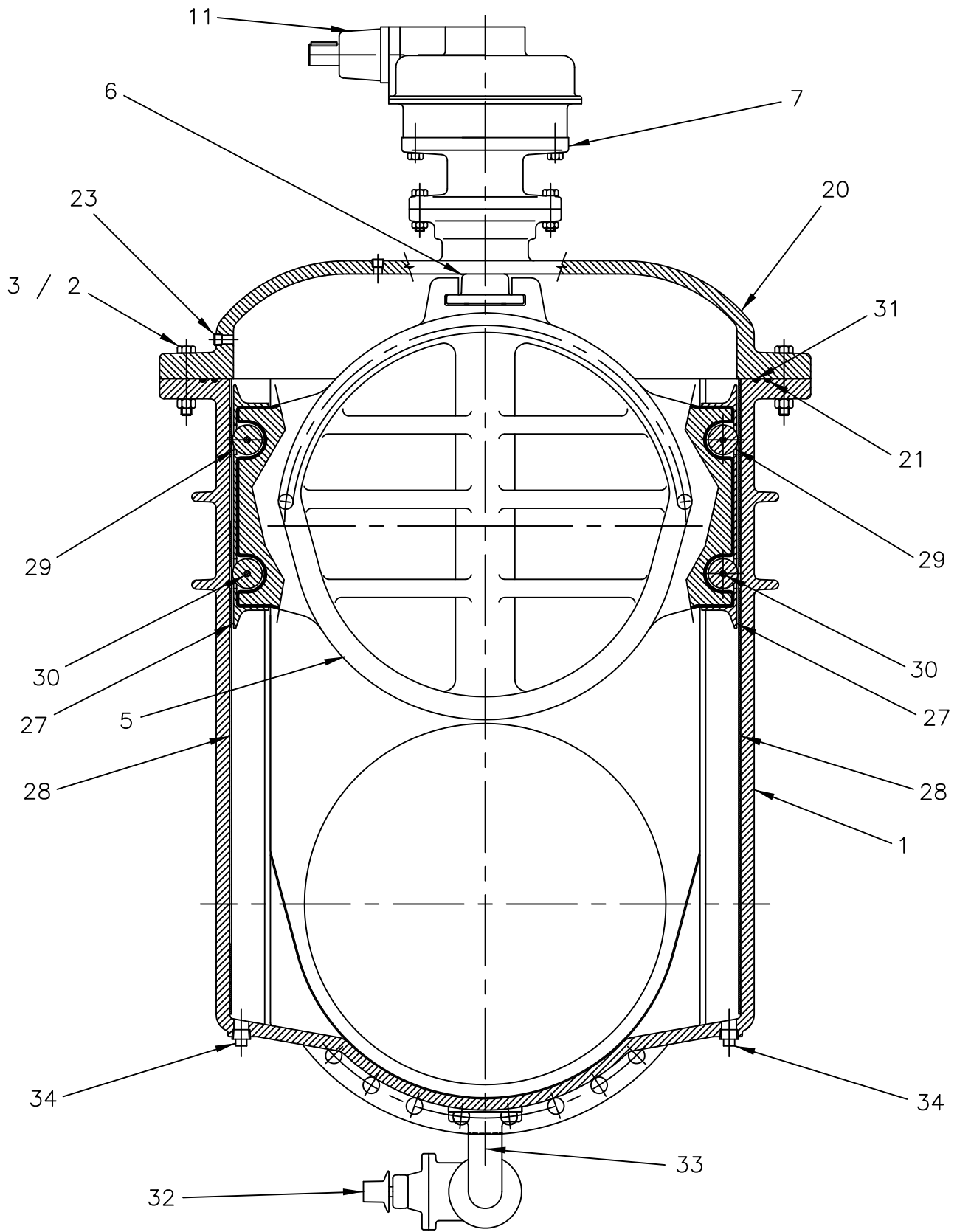
30" THRU 54"  
 RESILIENT SEAT GATE VALVE  
 C515-SERIES 7000  
 (WITH BEVEL GEAR)(WITH BY-PASS)  
 (WITH ROLLERS, TRACKS, SCRAPPERS)  
 MATERIAL LIST



M&H VALVE COMPANY  
ANNISTON, ALABAMA  
A DIVISION OF MCWANE INC.

DWN: TRIJ  
DATE: 9/1/12  
DWG. NO.  
LRW50BPV

30" THRU 54"  
RESILIENT SEAT GATE VALVE  
C515-7000 SERIES  
(WITH BEVEL GEAR)(WITH BY PASS)  
(WITH ROLLERS, TRACKS, SCRAPPERS)  
ASSEMBLY DRAWING 1



M&H VALVE COMPANY  
ANNISTON, ALABAMA  
A DIVISION OF MCWANE INC.

DWN: TRIJ
DATE: 9/1/12
DWG. NO. LRW51BPV

30" THRU 54"  
RESILIENT SEAT GATE VALVE  
C515-7000 SERIES  
(WITH BEVEL GEAR)(WITH BY-PASS)  
(WITH ROLLERS, TRACKS, SCRAPPERS)  
ASSEMBLY DRAWING 2