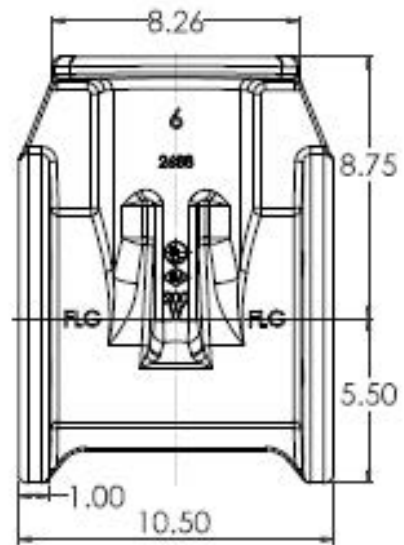
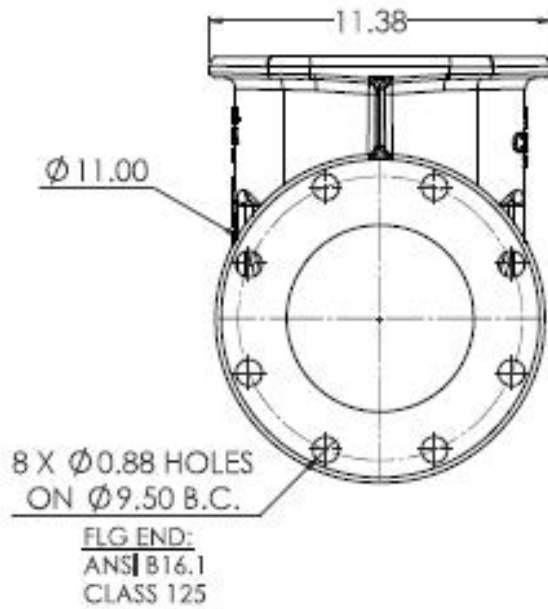


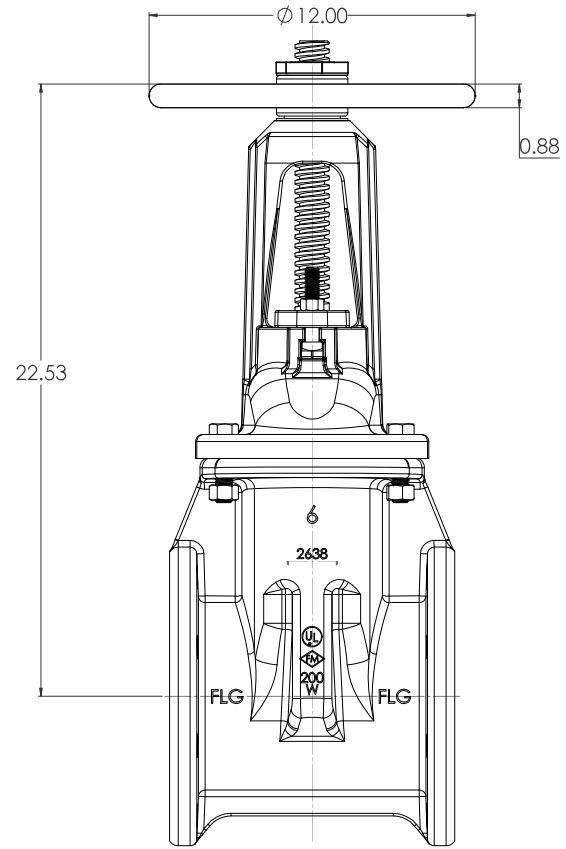
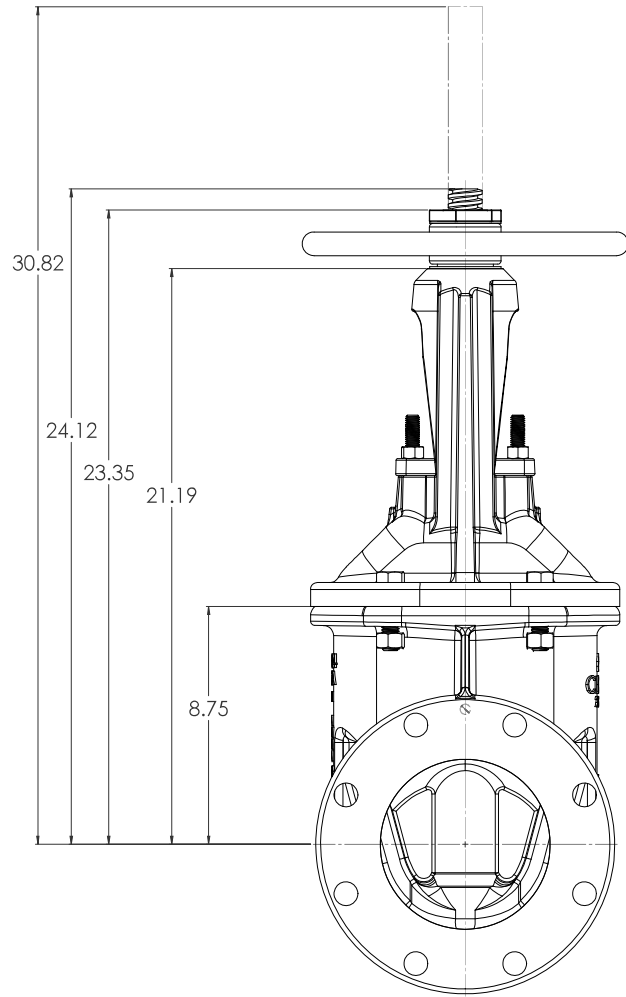
06" C515 FLG X FLG



OTHER END CONNECTIONS ARE AVAILABLE UPON REQUEST.

06" C515 OS&Y RESILIENT WEDGE LBS. GATE VALVE		06" C515 OS&Y RESILIENT WEDGE LBS. GATE VALVE	1:2	6
COMPANY: SLICK ADDRESS: 10000 W. 100th St., Suite 100, Overland Park, KS 66213 PHONE: 913.241.1100 FAX: 913.241.1101 WWW: www.slickvalve.com	ACCURACY: ±0.005" DIMENSIONS: ±0.005" FINISH: 3.00" SURFACE: 12.00" TOLERANCE: ±0.005"	DATE: 01/01/2020 DRAWN: CW CHECKED: [Signature] APPROVED: [Signature]	SCALE: 1:2 SHEET NO: 6 TOTAL SHEETS: 6	PROJECT NO: 2018 SP2 SHEET NO: 6 TOTAL SHEETS: 6

OS&Y WITH HANDWHEEL



COMPANY: SAFETY VALVE ADDRESS: 10000 W. 10th Ave., Suite 100, Golden, CO 80401 PHONE: (303) 440-0000 FAX: (303) 440-0001 WWW: www.safvalve.com		DIVISION: VALVES PRODUCT: OS&Y VALVE MODEL: 6"		DATE: 10/01/2020 DRAWN BY: CW CHECKED BY: 10/01/2020	
ORDER NUMBER: QTY: PRICE: TOTAL:	PART NUMBER: 2638 10000 W. 10th Ave., Suite 100, Golden, CO 80401 (303) 440-0000 www.safvalve.com	WEIGHT: 25.00 VOLUME: 0.00 MATERIAL: CS15 FINISH: W	UNIT: LBS UNIT WEIGHT: 100.00 TOTAL WEIGHT: 25.00	SCALE: 1:5	SHEET: 3 TOTAL SHEETS: 6



<u>ITEM NO.</u>	<u>COMPONENT</u>	<u>QTY.</u>	<u>SIZE</u>	<u>STANDARD MATERIAL</u>	<u>MATERIAL OPTIONS</u>
1	BODY	1	-	DUCTILE IRON	-
2	STEM	1	-	C65500	304 SS, 316 SS
3	STEM NUT	1	-	C87850	C87610 (LOW ZINC)
4	DRIVLOK PIN	1	3/8"X1 3/4"	303 SS	-
5	COVER	1	-	DUCTILE IRON	-
6	O-RING	1	#445	EPDM	BUNA-N
7	WEDGE	1	-	EPDM/DUCTILE IRON	-
8	TOP STEM NUT	1	-	C86700	-
9	HOLD DOWN NUT	1	-	C87850	-
10	HANDWHEEL	1	12"	DUCTILE IRON	-
11	GLAND	1	-	CAST IRON	-
12	LOWER THRUST WASHER	2	-	C-26000	-
13	THRUST WASHER	1	-	NYLATRON	-
14	HEX NUT	2	1/2"-13	18-8 SS	316 SS
15	SQUARE HEAD CAP SCREW	2	1/2"-13 X 2 3/4"	18-8 SS	316 SS
16	HEX NUT	4	5/8"-11	18-8 SS	316 SS
17	HEX HEAD CAP SCREW	4	5/8"-11 X 2 1/4"	18-8 SS	316 SS
19	O-RING	1	#218	EPDM	BUNA-N

- VALVES CONFORM WITH THE FOLLOWING STANDARDS
 - AWWA C509
 - NSF 61
- LOW ZINC BRASS STEM AND STEM NUT AVAILABLE
- 100% DOMESTIC FASTENERS AND ORINGS OPTIONS AVAILABLE
- *OPEN LEFT* (COUNTERCLOCKWISE) AND *OPEN RIGHT* (CLOCKWISE) OPTIONS AVAILABLE
- TURNS TO OPEN FROM FULLY CLOSED: 20
- AWWA MAXIMUM ALLOWABLE CLOSING TORQUE 110 FT-LBS

<small> COMPANY: STAINLESS STEEL INDUSTRIES ADDRESS: 10000 W. 10TH AVE., SUITE 100, DENVER, CO 80202 PHONE: (303) 440-1100 FAX: (303) 440-1101 WWW.STAINLESSSTEELINDUSTRIES.COM </small>		<small> PRODUCT: 96" CS15 CS&Y RESILIENT WEDGE GATE VALVE MATERIAL: LBS. WEIGHT: 1000 DIMENSIONS: 100" X 100" X 100" DATE: 10/01/2020 DRAWN BY: CW </small>		<small> SCALE: 1:5 SHEET NO: 5 TOTAL SHEETS: 6 PROJECT NO: 2018 SP2 DRAWN BY: D </small>	
----------------------------------------------------------------------------------------------------------------------------------------------------------------------------------------------------------------------------------------------------------------	--	------------------------------------------------------------------------------------------------------------------------------------------------------------------------------------------------------------------------------------------------------------------------------------------------	--	---------------------------------------------------------------------------------------------------------------------------------------------------------------------------------------------------	--