

PART NO.	NO. REQ'D	PART	MATERIAL
1	1	BODY	DUCTILE IRON
2	1	COVER PLATE	DUCTILE IRON
3	1	FLAPPER	RESILIENT FLAPPER, MET. INSERT
4	Varies	COVER BOLTS AND NUTS	STEEL
5	1	NPT PLUG, STD ALL VALVES	STEEL

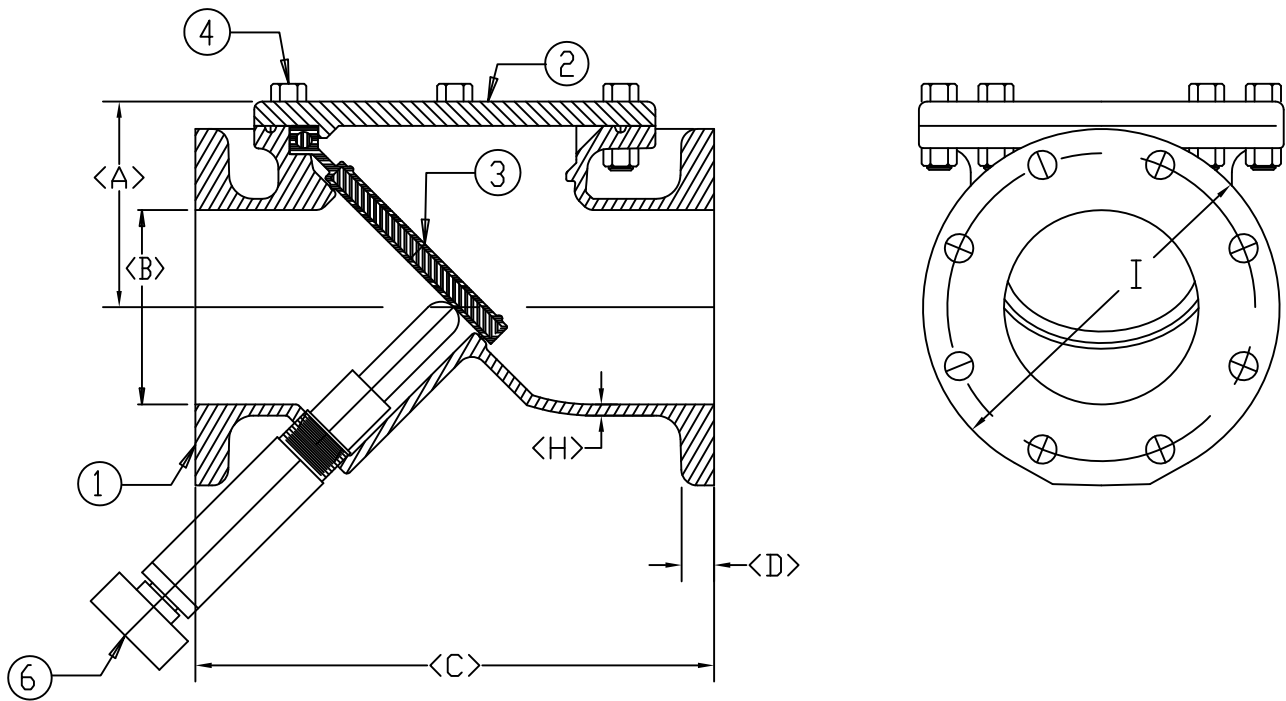
SIZE	A (approx)	Ø B	C	D (nominal)	Ø E	F	Ø G	H (nom.)	I	WEIGHT
4	4.88	4.00	13	1.00	7.50	8	0.75	0.31	9.0	70
6	6.38	6.00	16	1.06	9.50	8	0.88	0.34	11.0	126
8	7.63	8.00	19.5	1.19	11.75	8	0.88	0.34	13.5	190
10	9.06	10.00	24.5	1.25	14.25	12	1.00	0.38	16.0	273
12	10.63	12.00	27.5	1.28	17.00	12	1.00	0.41	19.0	357

E - BOLT CIRCLE DIA. END FLANGE
 F - NUMBER OF BOLTS REQ'D EACH END FLANGE
 G - BOLT HOLE DIAMETER FOR END FLANGE
 END FLANGES CONFORM TO ANSI B16.1

M&H VALVE COMPANY
 ANNISTON, ALABAMA
 A DIVISION OF MCWANE INC.

DWN: TRIJ
 DATE: 9/1/12
 DWG. NO.
 K506-S

4" THRU 12"
 KENFLEX RESILIENT HINGED
 CHECK VALVE
 STYLE 506-S



PART NO.	NO. REQ'D	PART	MATERIAL
1	1	BODY	DUCTILE IRON
2	1	COVER PLATE	DUCTILE IRON
3	1	FLAPPER	RESILIENT FLAPPER, MET. INSERT
4	Varies	COVER BOLTS AND NUTS	STEEL
6	1	BACKFLOW JACK ASSEMBLY	STEEL COMPONENTS

SIZE	A (approx)	Ø B	C	D (nom.)	Ø E	F	Ø G	H (nom.)	I	WEIGHT
4	4.88	4.00	13	1.00	7.50	8	0.75	0.31	9.0	83
6	6.38	6.00	16	1.06	9.50	8	0.88	0.34	11.0	139
8	7.63	8.00	19.5	1.19	11.75	8	0.88	0.34	13.5	203
10	9.06	10.00	24.5	1.25	14.25	12	1.00	0.38	16.0	295
12	10.63	12.00	27.5	1.28	17.00	12	1.00	0.41	19.0	370

E – BOLT CIRCLE DIA. END FLANGE
 F – NUMBER OF BOLTS REQ'D EACH END FLANGE
 G – BOLT HOLE DIAMETER FOR END FLANGE
 END FLANGES CONFORM TO ANSI B16.1

M&H VALVE COMPANY
 ANNISTON, ALABAMA
 A DIVISION OF MCWANE INC.

DWN: TRIJ
 DATE: 9/1/12
 DWG. NO.
 K506-J

4" THRU 12"
 KENFLEX RESILIENT HINGED
 CHECK VALVE WITH BACKFLOW JACK
 STYLE 506-J