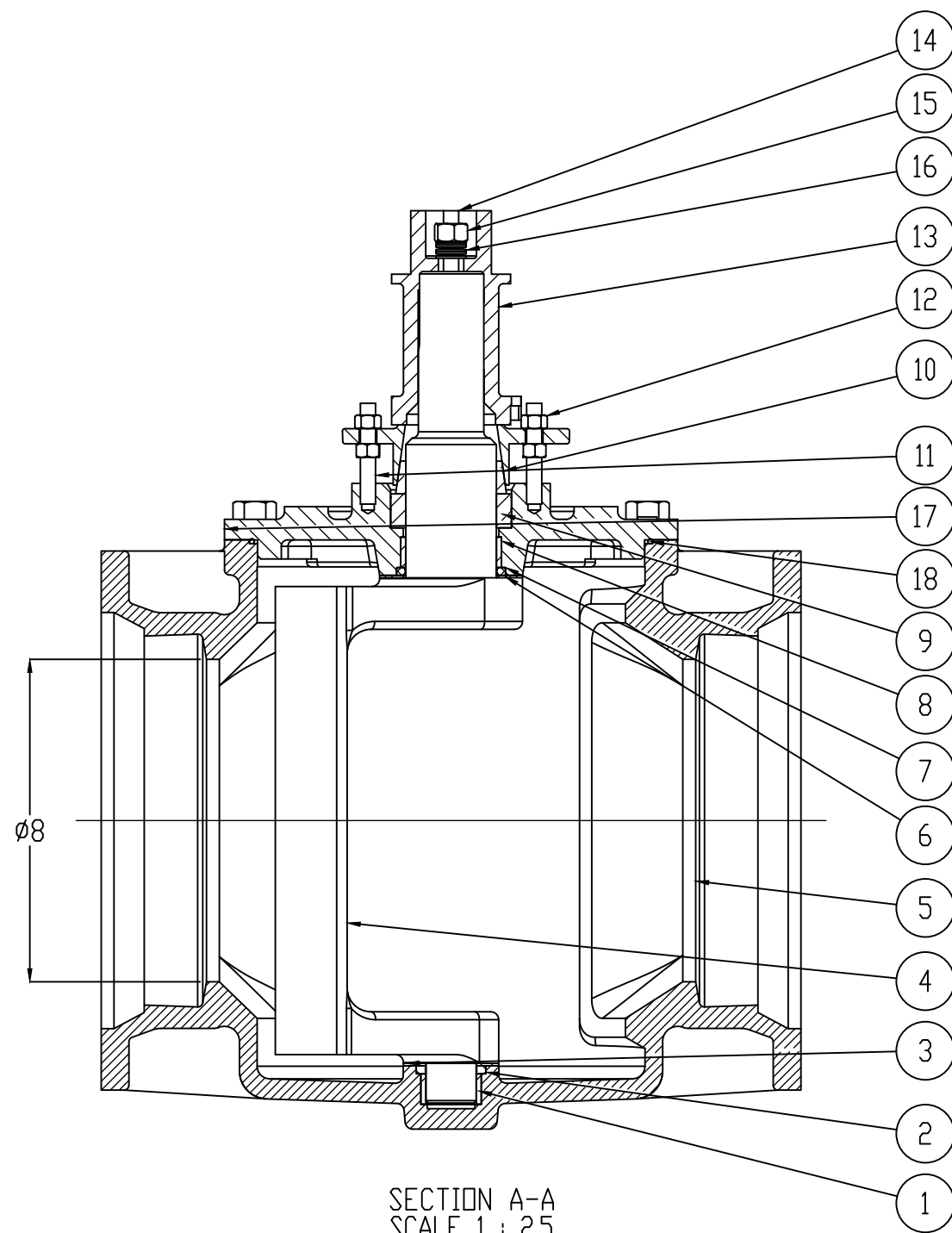
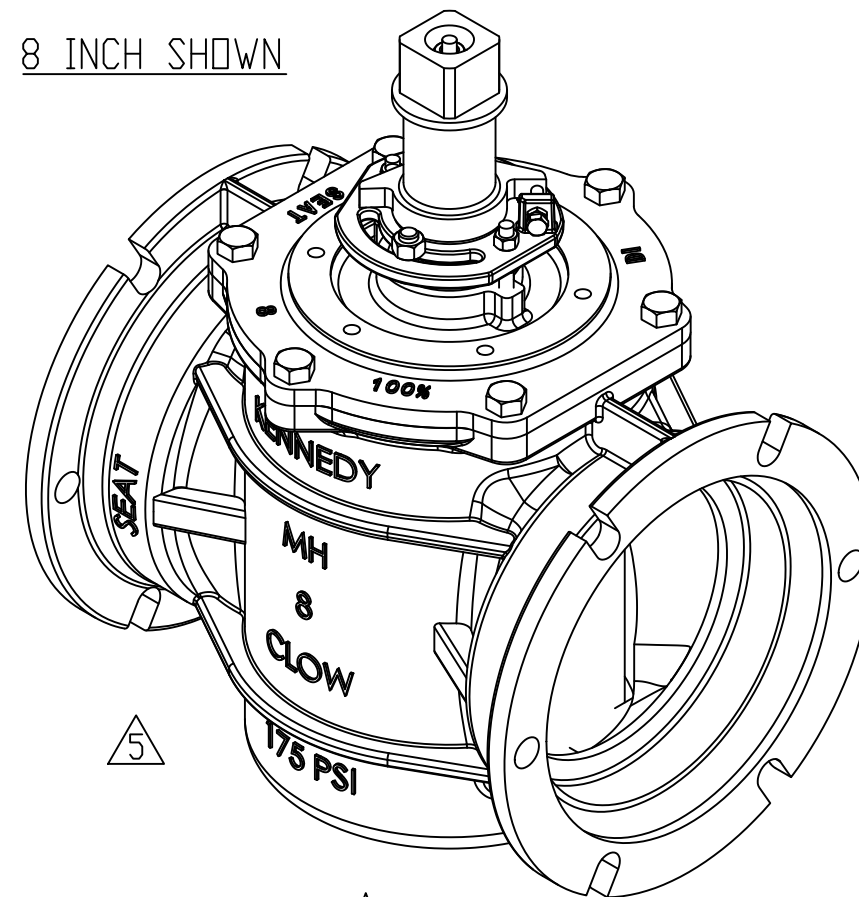
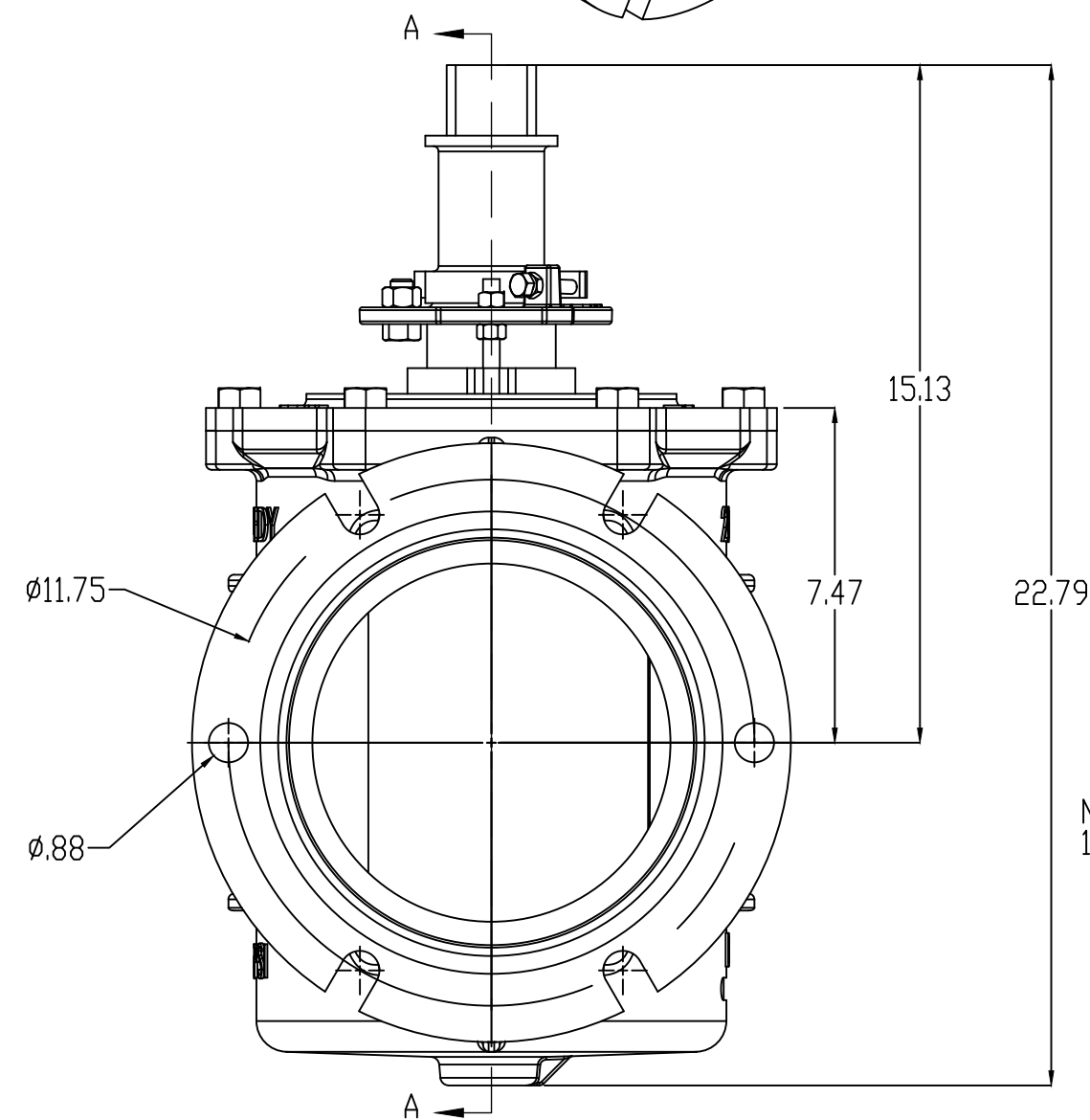


8 INCH SHOWN



SECTION A-A
SCALE 1 : 2.5



NOTE: FOR SERVICES IN EXCESS OF 25 PSI,
USE OF A GEAR IS RECOMMENDED

ITEM#	PART NAME	ASTM/ DESIGNATION	QTY.
1	LOWER SLEEVE BEARING	SINTERED ALLOY SS316	11
2	LOWER GRIT SEAL	NBR	1
3	LOWER THRUST WASHER	PTFE	1
4	PLUG	ASTM A536 GR.65-45-12 or GR.75-50-05 +NBR	1
5	BODY	ASTM A536 GR. 65-45-12 or 70-50-05	1
6	UPPER THRUST WASHER	PTFE	1
7	UPPER GRIT SEAL	NBR	1
8	UPPER SLEEVE BEARING	SINTERED ALLOY SS316	1
9	V-PACKING	NBR	1
10	BRAKE	PPS 40% GLASS FILLED	1
11	COVER STUDS	STAINLESS STEEL ASTM A276.T316	4
12	COVER STUD HEX NUTS	STAINLESS STEEL ASTM A276.T316	2
13	2" SQ. OP-NUT	ASTM A536 GR. 65-45-12 or 70-50-05	1
14	PLUG STEM STUD	STAINLESS STEEL ASTM A276.T316	1
15	HEX LOCKING NUT	STAINLESS STEEL ASTM A276.T316	1
16	DISC SPRING WASHER	STAINLESS STEEL ASTM A276.T316	5
17	COVER	ASTM A536 GR. 65-45-12 or 70-50-05	1
18	COVER O-RING	NBR	1
19	COVER BOLTS	STAINLESS STEEL ASTM A276.T316	4
20	HEX JAM NUT	STAINLESS STEEL ASTM A276.T316	1
21	FOLLOWER SQ. HEAD SET SCREW	STAINLESS STEEL ASTM A276.T316	1
22	SOCKET HEAD CAPSCREW	STAINLESS STEEL ASTM A276.T316	1
23	WASHER	STAINLESS STEEL ASTM A276.T316	1
24	HEX JAM NUT	STAINLESS STEEL ASTM A276.T316	1

NOTE:
1. BODY CASTINGS ARE TRI-MARKED WITH "CLOW," "KENNEDY," AND "M&H"

REVISIONS			
REV.	DESCRIPTION	BY	DATE
2	ADDED 316SS FASTENERS TO BOM AND ADDED NOTE PER REQUEST CUSTOMER REQUEST	CAW	9/1/2015
3	ADDED PRESSURE NOTE	J CAPPER	7/26/2018
4	MADE FASTENERS 316SS STANDARD, EDITED MARKINGS NOTE	J CAPPER	2/26/2019
5	UPDATED WITH CORRECT BODY MARKINGS	CAW	3/26/2019

DRAWN	NAME	DATE	 M&H VALVE Division of McWane, Inc. 605 West 23rd Street, Anniston, Alabama 36201
CHECKED	CAW	7/20/2015	
APPROVED	ML	8/8/2015	TITLE:
DO NOT SCALE DRAWING			3'-8" "FULL FLOW" MJ EPV (6413-FF) w/ 2" OP-NUT
MATERIAL: SEE TABLE			SIZE DWG. NO.
WEIGHT: SEE TABLE			D SUB910208T
PROPRIETARY AND CONFIDENTIAL THESE DRAWINGS ARE THE SOLE PROPERTY OF M&H VALVE CO. ANY REPRODUCTION IN PART OR AS A WHOLE WITHOUT THE WRITTEN PERMISSION OF M&H VALVE CO. IS PROHIBITED. DESIGN & INVENTION RIGHTS RESERVED.			REV 5

A [VALVE SIZE]	B	C	D	F	G	H	I	J	WEIGHT [LBS.]
3	11.50	.58	Ø 7.62	4 x .75 THRU	Ø 6.19	3.76	9.38	13.24	70 LBS
4	14.25	.60	Ø 9.06	4 x .88 THRU	Ø 7.50	4.65	10.15	14.86	100 LBS
6	15.75	.63	Ø 11.06	6 x .88 THRU	Ø 9.50	5.78	12.96	18.75	145 LBS
8	17.36	.66	Ø 13.39	6 x .88 THRU	Ø 11.75	7.48	15.13	22.79	200 LBS

SIZE RANGE	WATER WORKING PRESSURE PSI	HYDROSTATIC TEST PSI
3-12	175 PSI	350 PSI