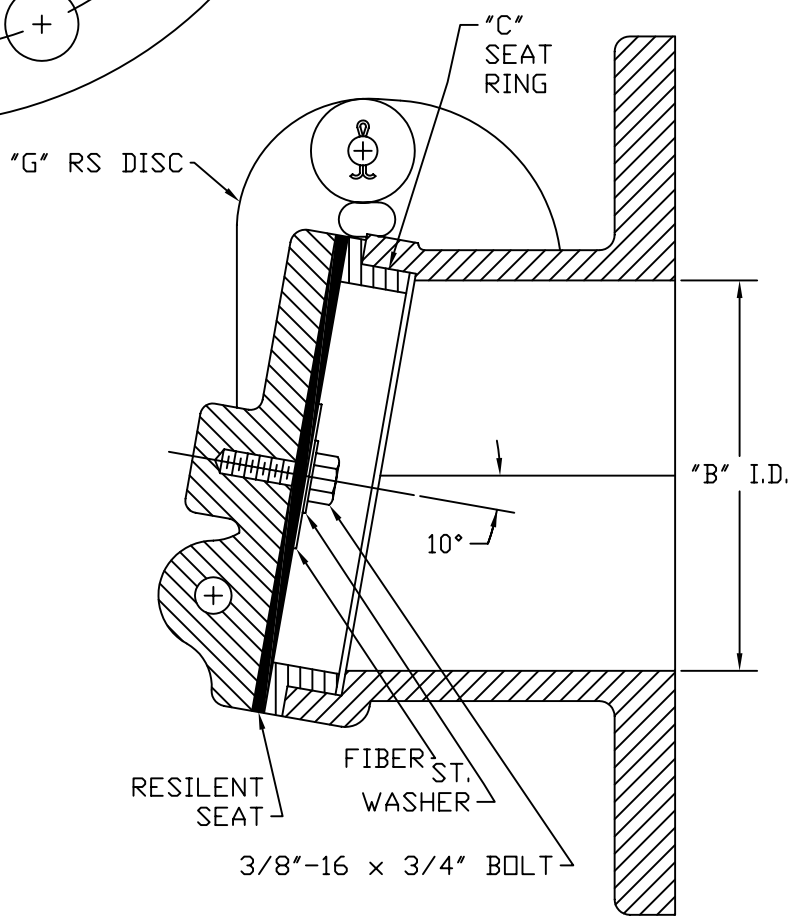
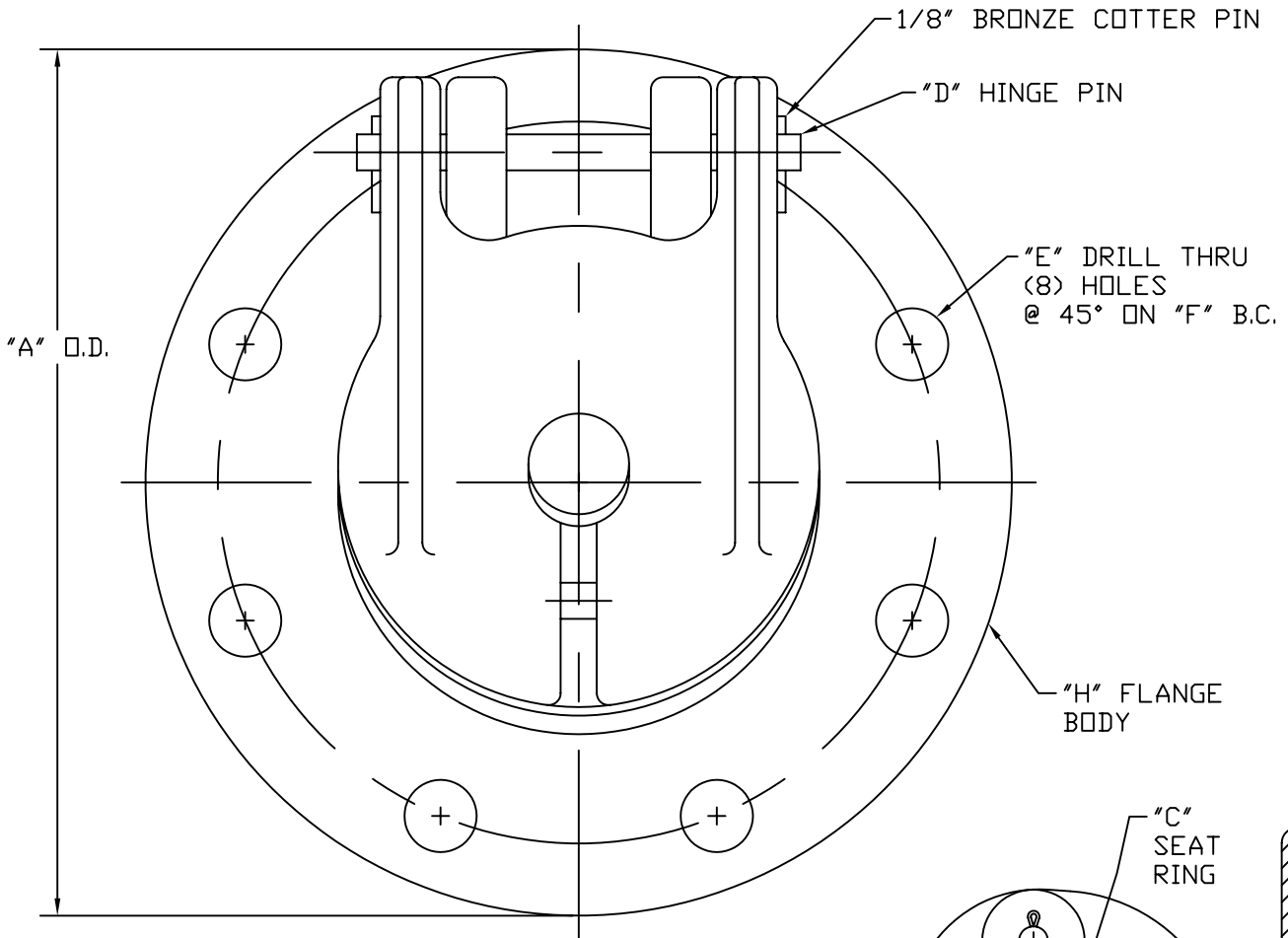


M&H VALVE COMPANY  
ANNISTON, ALABAMA  
A DIVISION OF MCWANE INC.

DWN: TRIJ  
DATE: 7/1/05  
DWG. NO. PRV-W3

4" & 6" PRESSURE RELIEF VALVE  
(WALL TYPE)  
INSTALLATION DETAIL  
STYLE F-1494-T

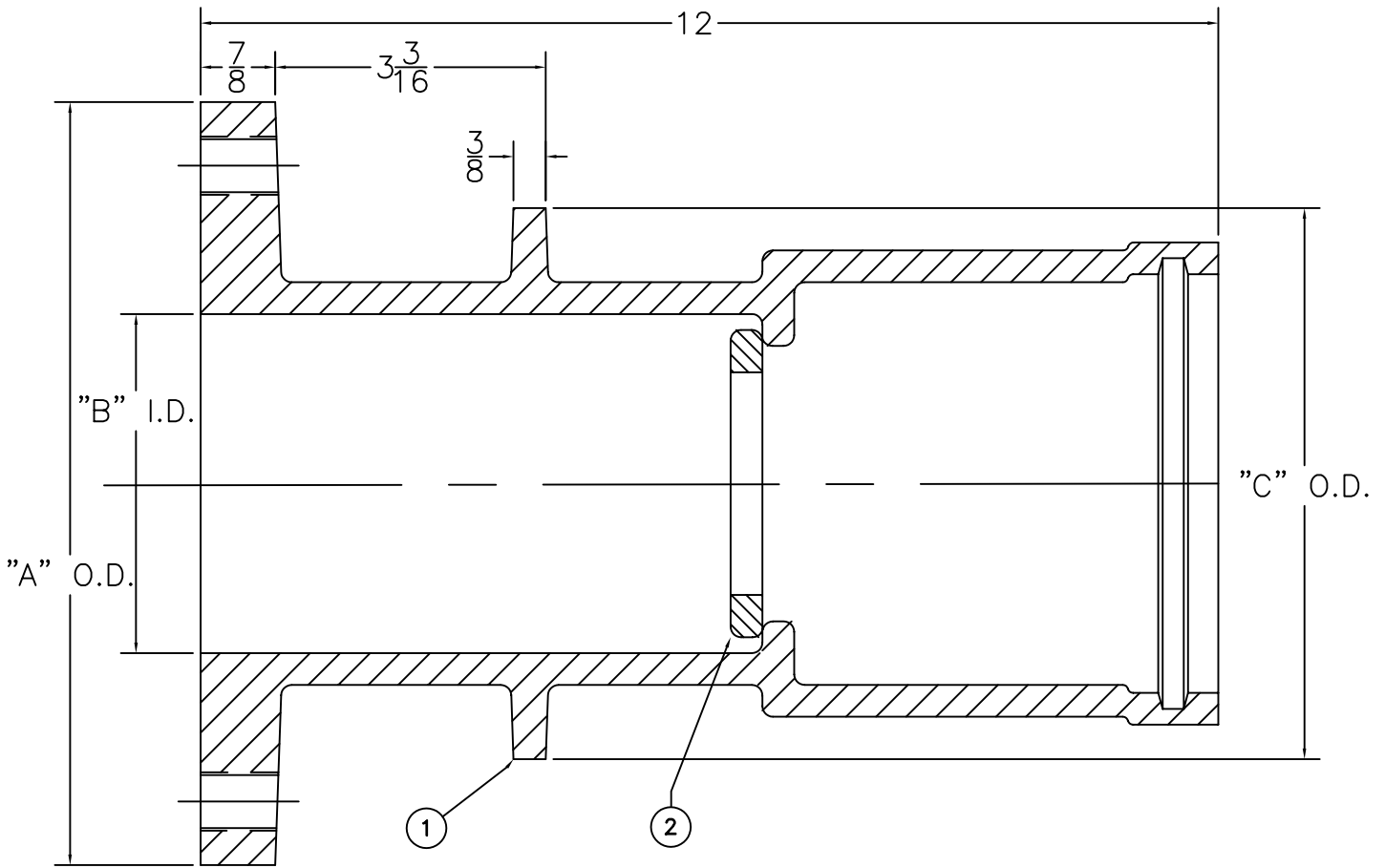


| DIMENSIONS & PART NO.'s |        |        |
|-------------------------|--------|--------|
| SIZE                    | 4"     | 6"     |
| A                       | 9      | 11     |
| B                       | 4      | 6      |
| C                       | 155575 | 155577 |
| D                       | 177400 | 177426 |
| E                       | 3/4    | 7/8    |
| F                       | 7 1/2  | 9 1/2  |
| G                       | 177401 | 177412 |
| H                       | 177402 | 177409 |

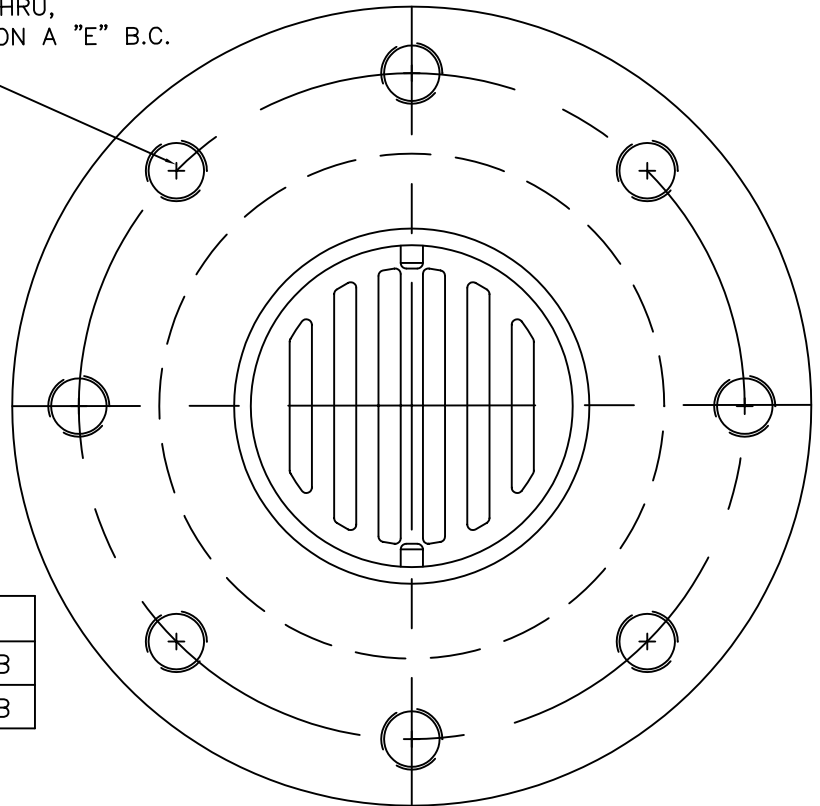
M&H VALVE COMPANY  
ANNISTON, ALABAMA  
A DIVISION OF MCWANE INC.

DWN: TRIJ  
DATE: 7/1/05  
DWG. NO.  
PRV-W1

4" & 6" PRESSURE RELIEF VALVE  
(WALL TYPE)  
ASSEMBLY / MATERIAL LIST / DIMENSIONS  
STYLE F-1494-T



"D" TAP THRU,  
LOCATED ON A "E" B.C.  
(8) REQ'D



| DIMENSIONS |                       |                       |
|------------|-----------------------|-----------------------|
| SIZE       | 4"                    | 6"                    |
| A          | 9.00                  | 11.00                 |
| B          | 4.00                  | 6.00                  |
| C          | 6.50                  | 8.50                  |
| D          | $\frac{5}{8}$ "-11UNC | $\frac{3}{4}$ "-10UNC |
| E          | 7.50                  | 9.50                  |

4" Weight 35 lbs.

6" Weight 47 lbs.

| ITEM | DESCRIPTION  | REQ'D | MATERIAL        |
|------|--------------|-------|-----------------|
| 1    | WALL THIMBLE | 1     | CAST IRON A126B |
| 2    | GRATING      | 1     | CAST IRON A126B |

NOTE: CAN BE EXTENDED TO ANY LENGTH BY  
USING C900 PVC

M&H VALVE COMPANY  
ANNISTON, ALABAMA  
A DIVISION OF MCWANE INC.

DWN: TRIJ  
DATE: 7/1/05  
DWG. NO.  
PRV-W2

4" PRESSURE RELIEF VALVE--(WALL TYPE)  
WALL THIMBELL  
ASSEMBLY / MATERIAL LIST / DIMENSIONS  
STYLE F-1494-T